



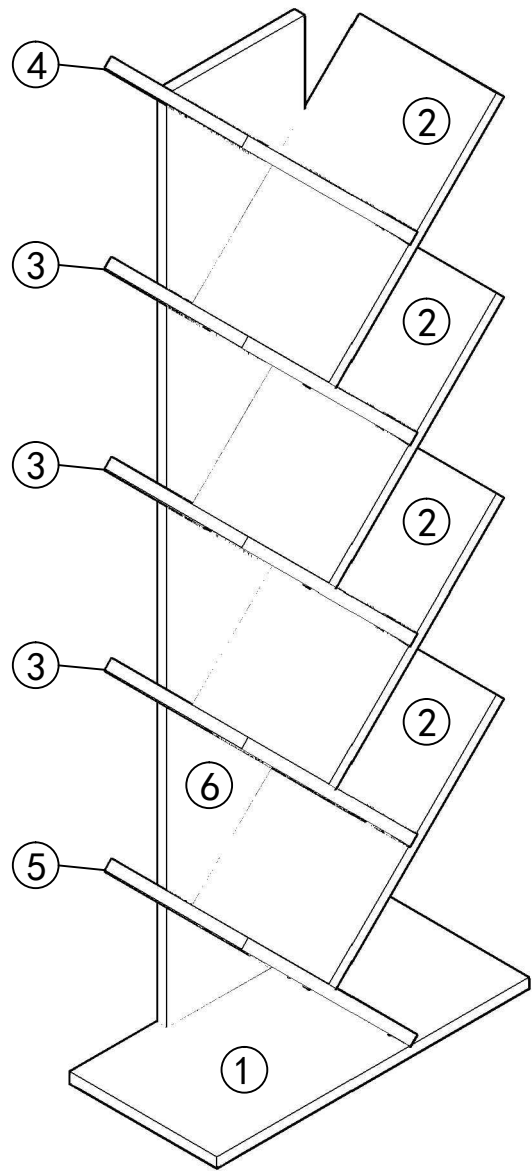
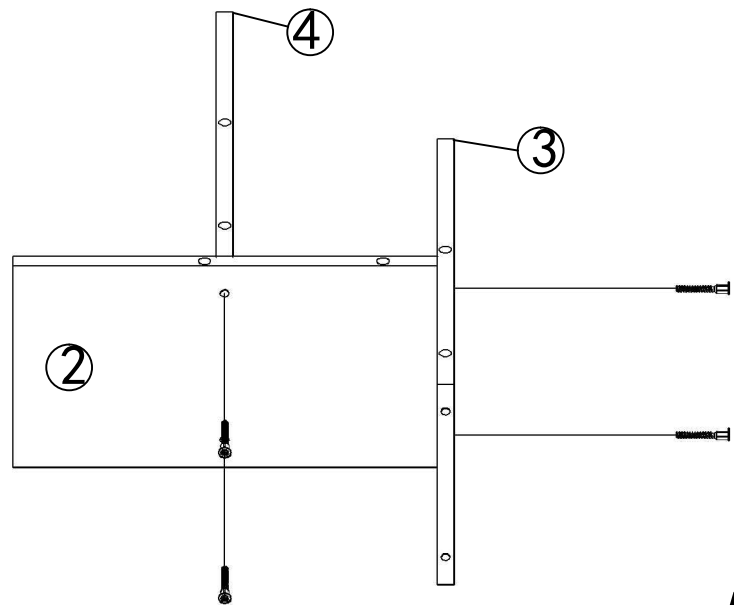


NO.	QTY.	LINEDRAWING	DESCRIPTION
A	36		
B	2		
C	4		
D	38		



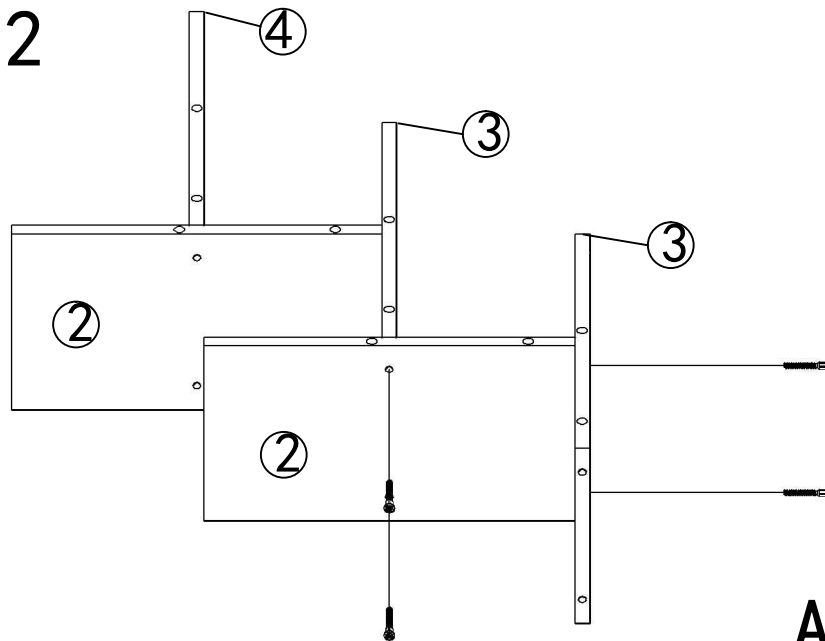
NO.	QTY.	LINEDRAWING	DESCRIPTION
①	1		
②	4		
③	3		
④	1		
⑤	1		
⑥	1		

1



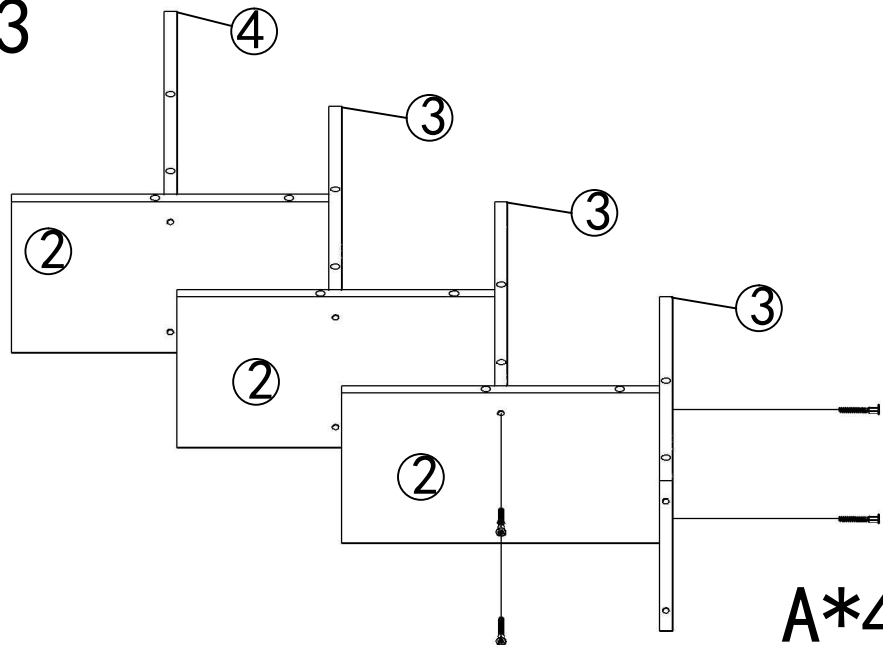
A\*4

2



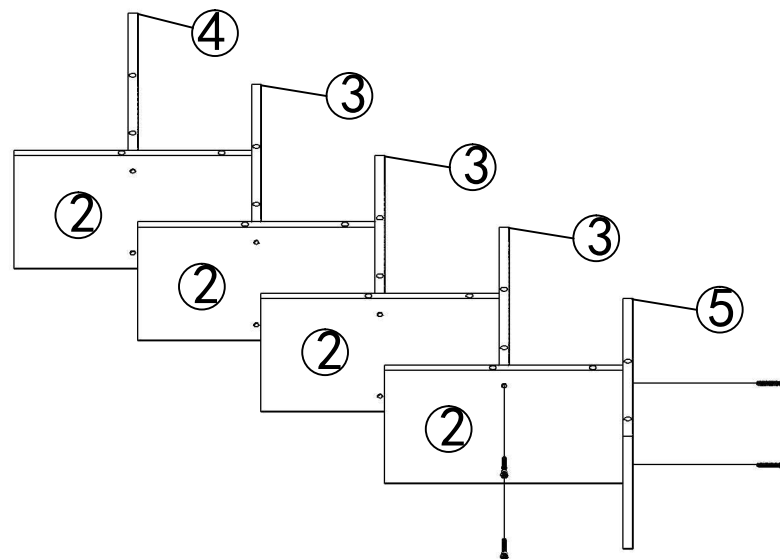
A\*4

3



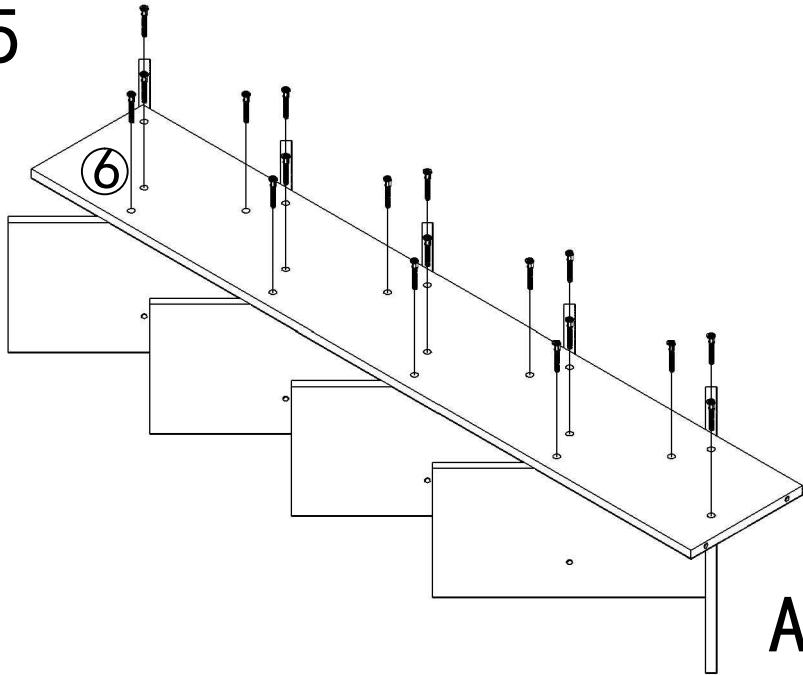
A\*4

4

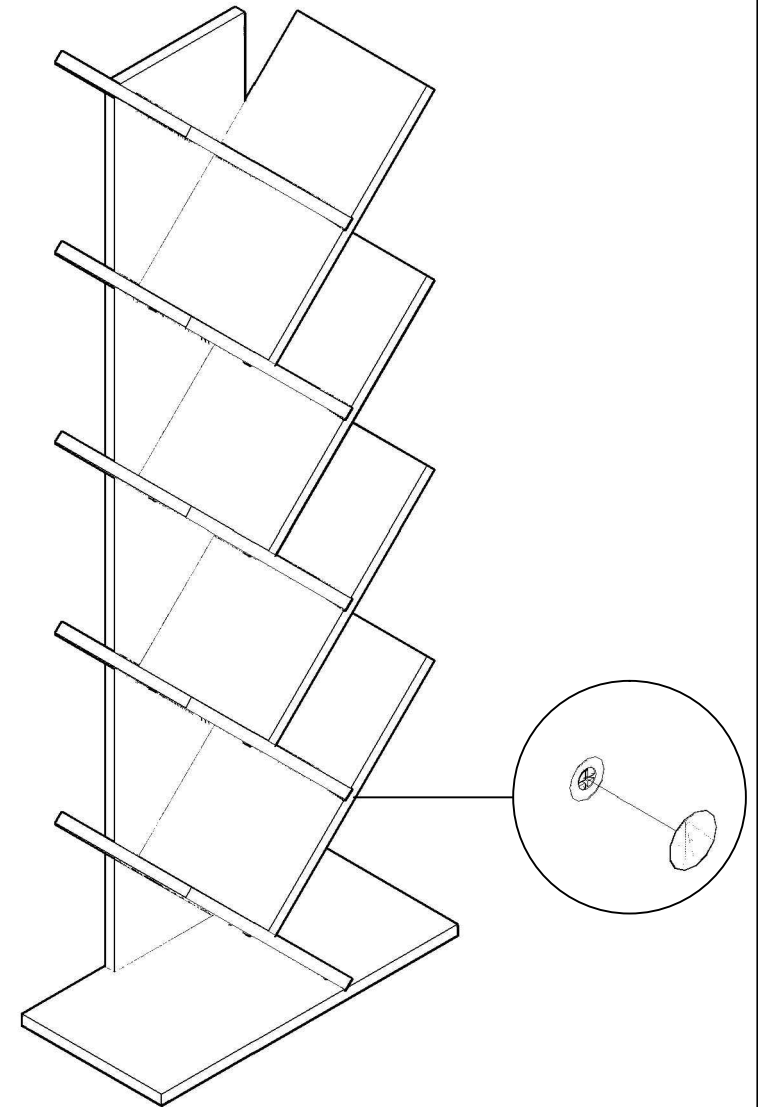


A\*4

5



7



6

