

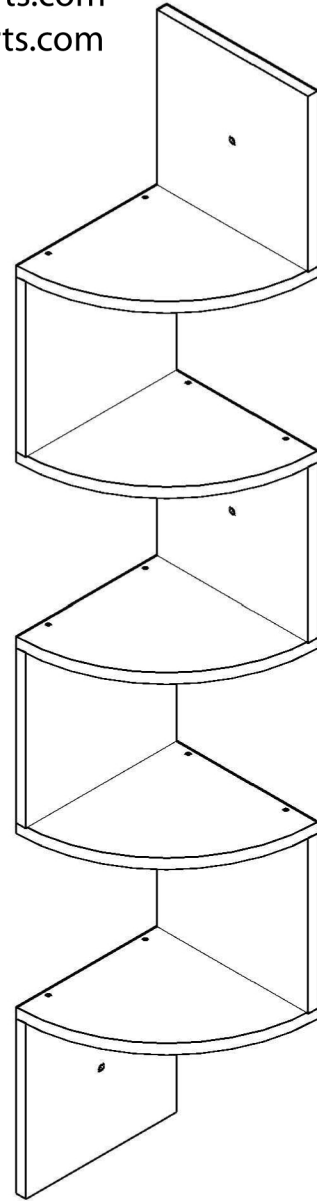



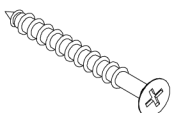


By:  **Quickway Imports** inc.
www.quickwayimports.com
info@quickwayimports.com

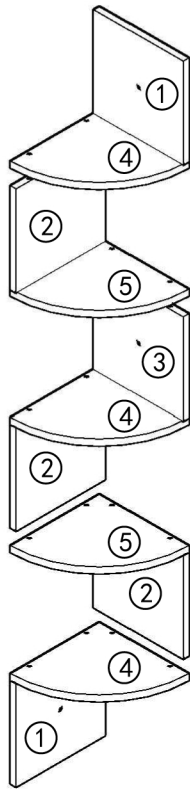
Wall Mount Corner Shelf 5 Tiers

SKU: QI003554

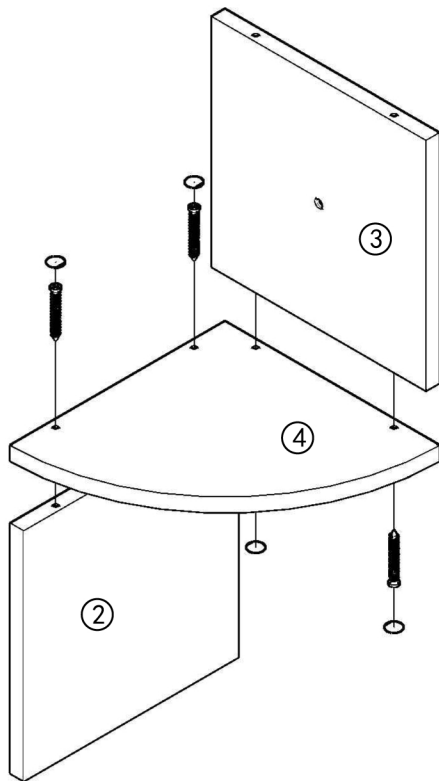
Assembly Instructions



					
φ5*40	φ4*45	φ15			
A*20	B*3	C*23	D*3		

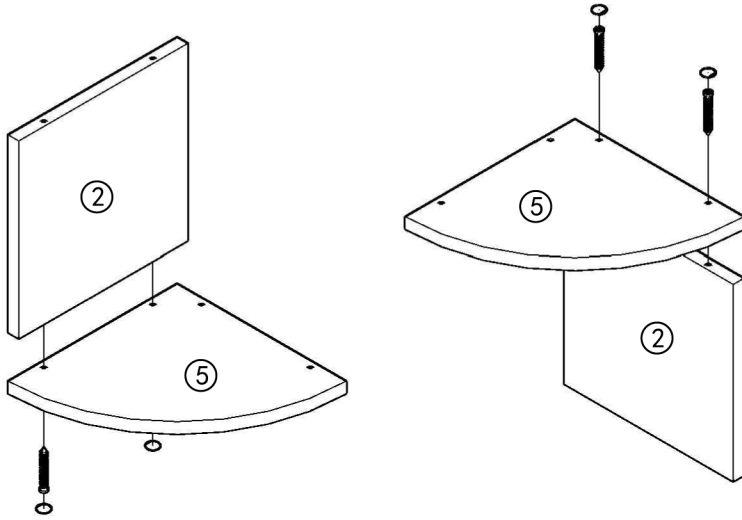


1



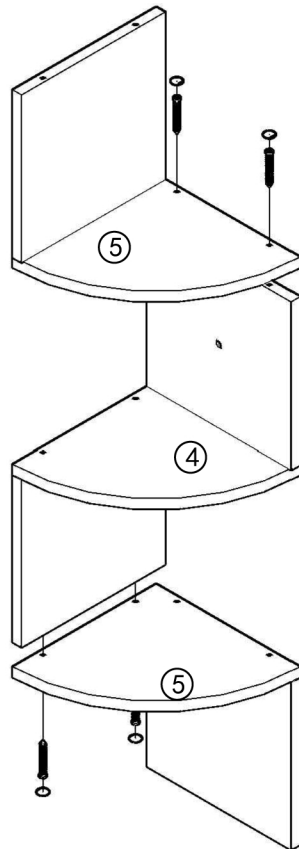
$A*4+C*4$

2



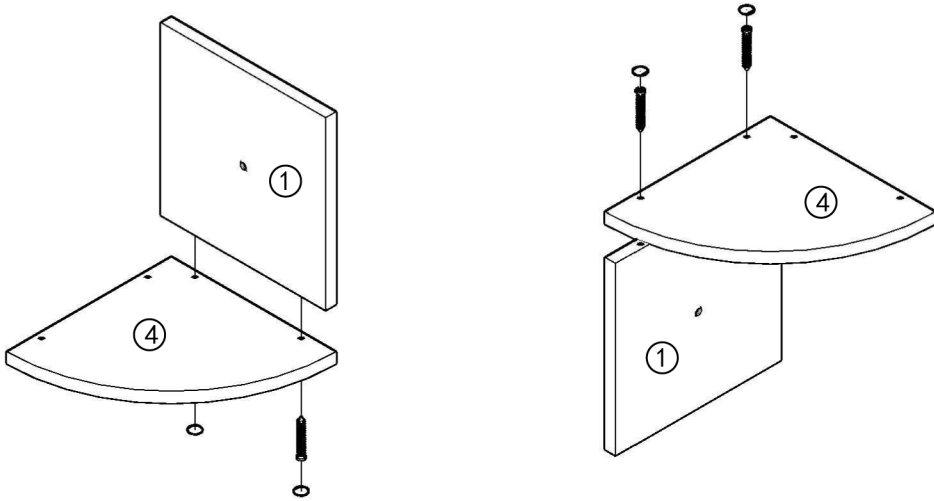
$A*4+C*4$

3



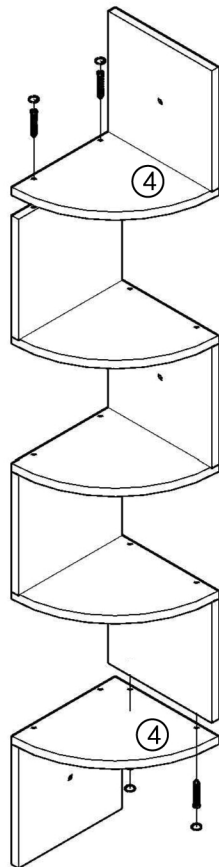
$A*4+C*4$

4



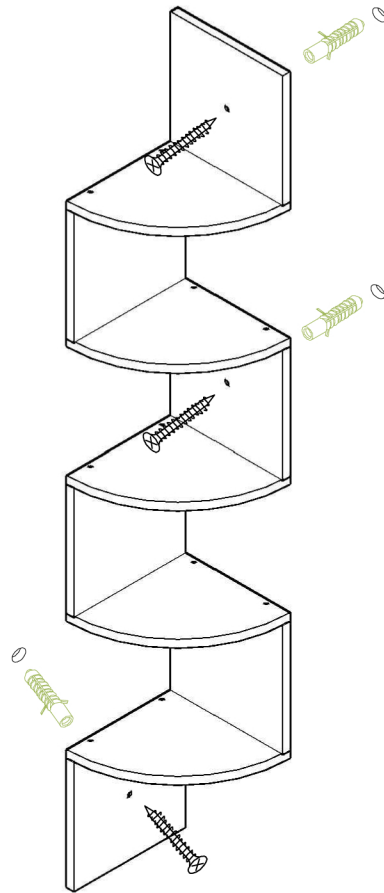
$A*4+C*4$

5



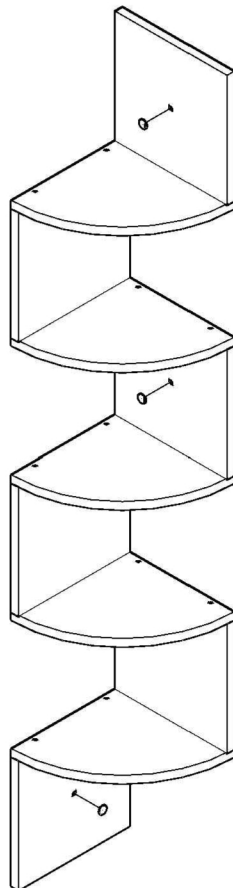
$A*4+C*4$

6



$B*3+D*3$

7



$C*3$