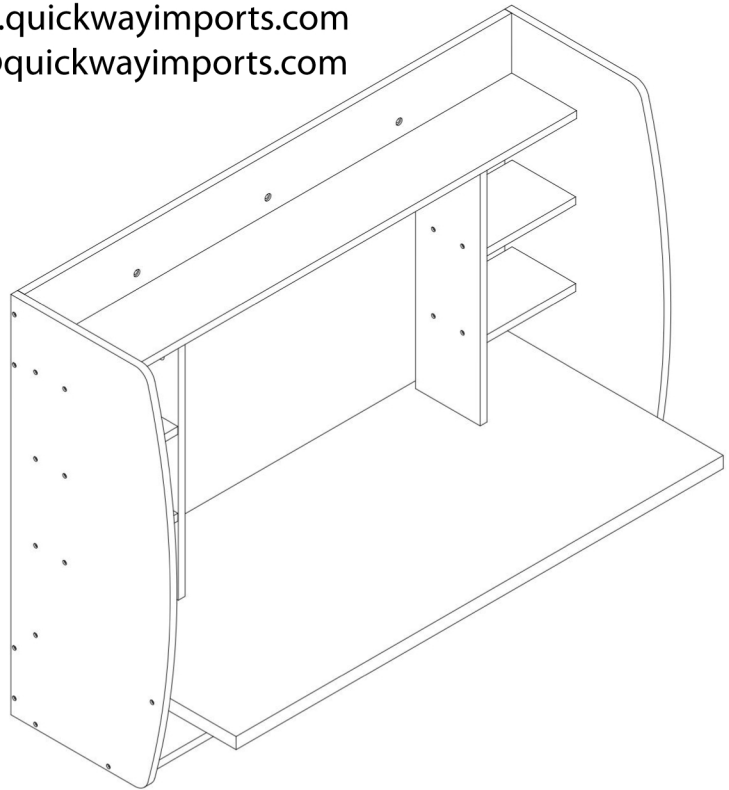


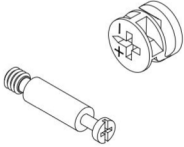







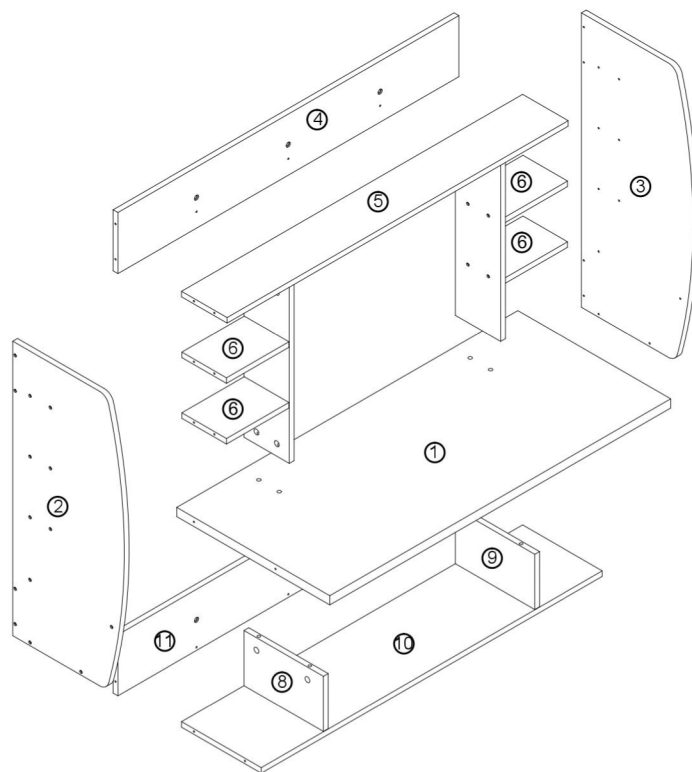
Quickway
Imports inc.

By: www.quickwayimports.com
info@quickwayimports.com

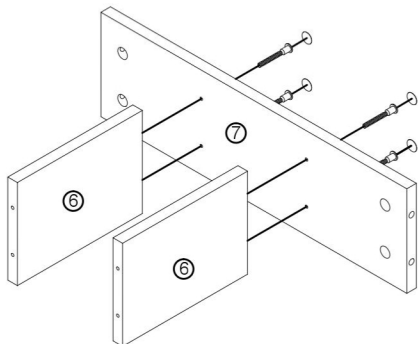
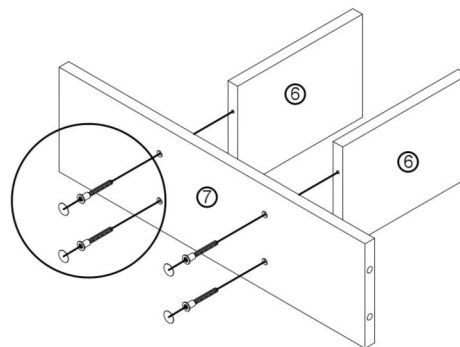
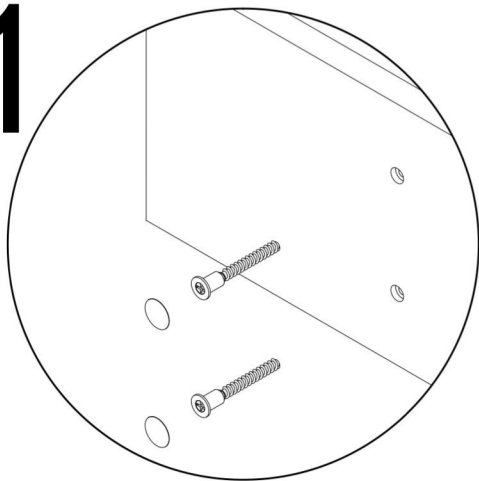
Wall Mount Laptop Desk
SKU: QI003557
Assembly Instructions



			
A×12	φ5×40	φ6×80	D×6
			
φ15	φ20		
E×46	F×18		

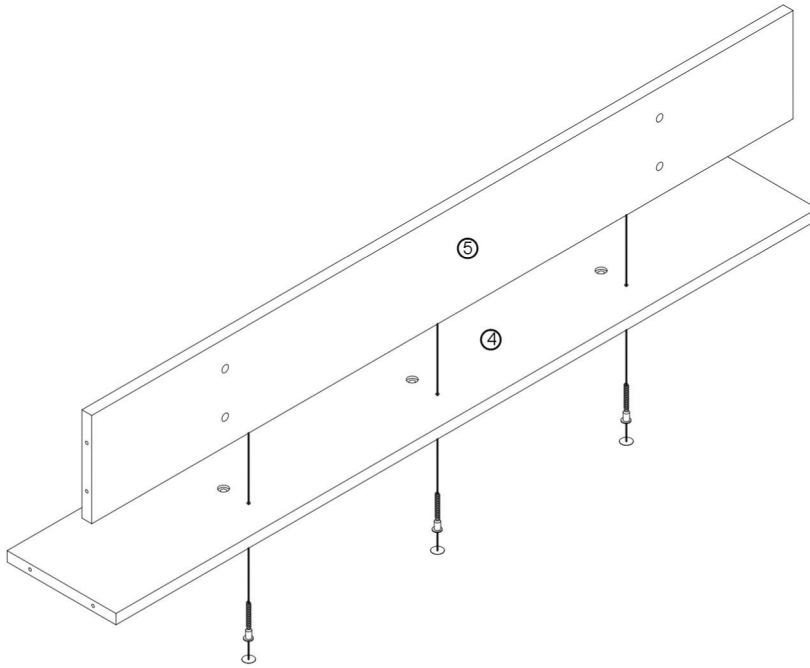


1



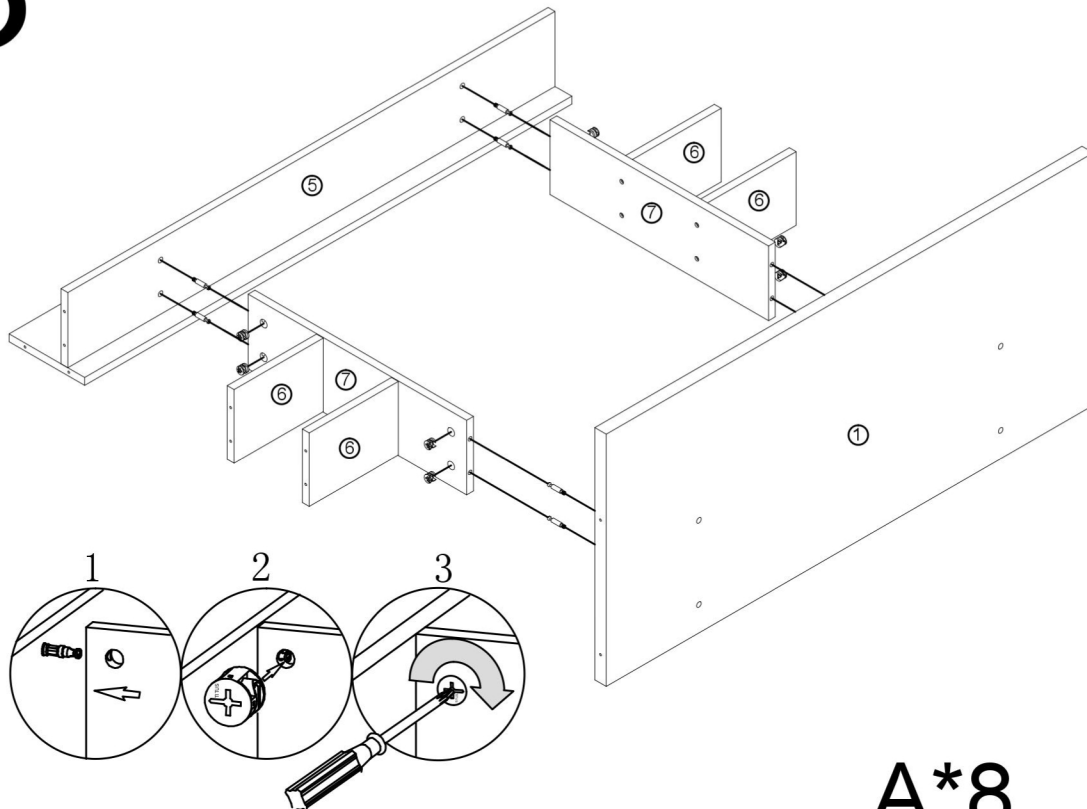
B*8+E*8

2



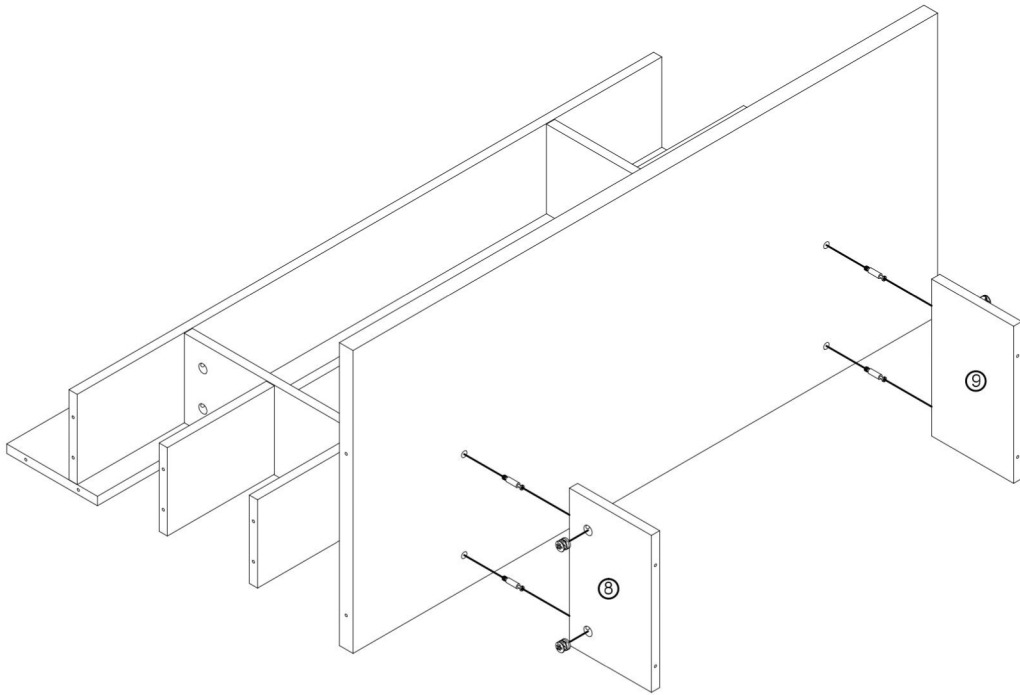
B*3+E*3

3



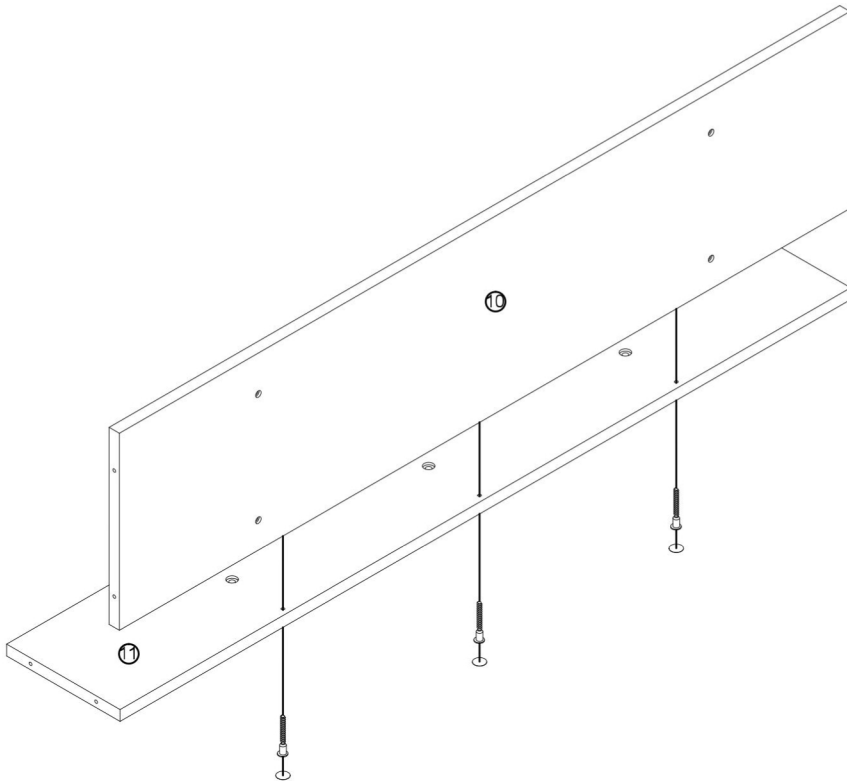
A*8

4



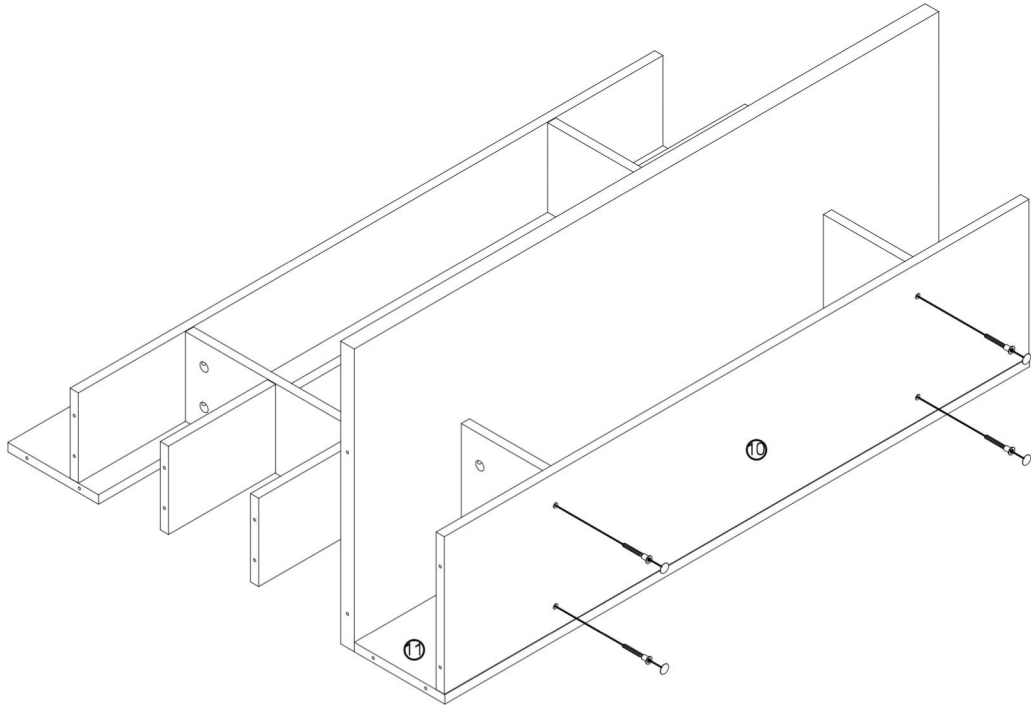
A*4

5



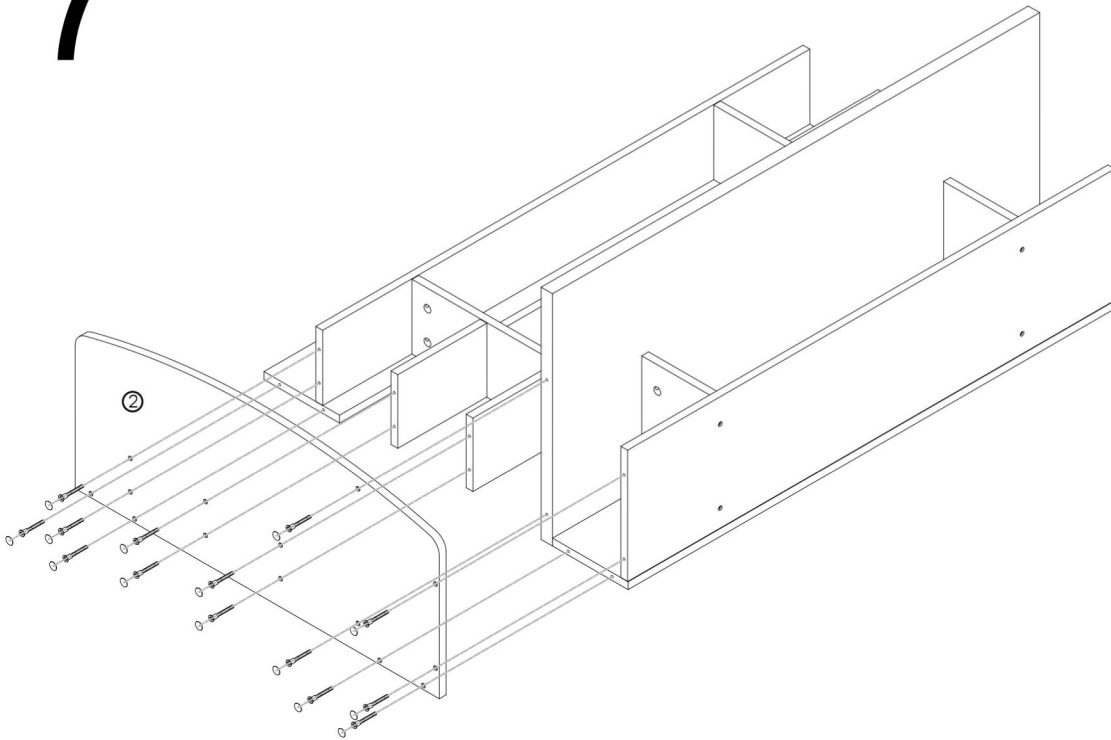
B*3+E*3

6



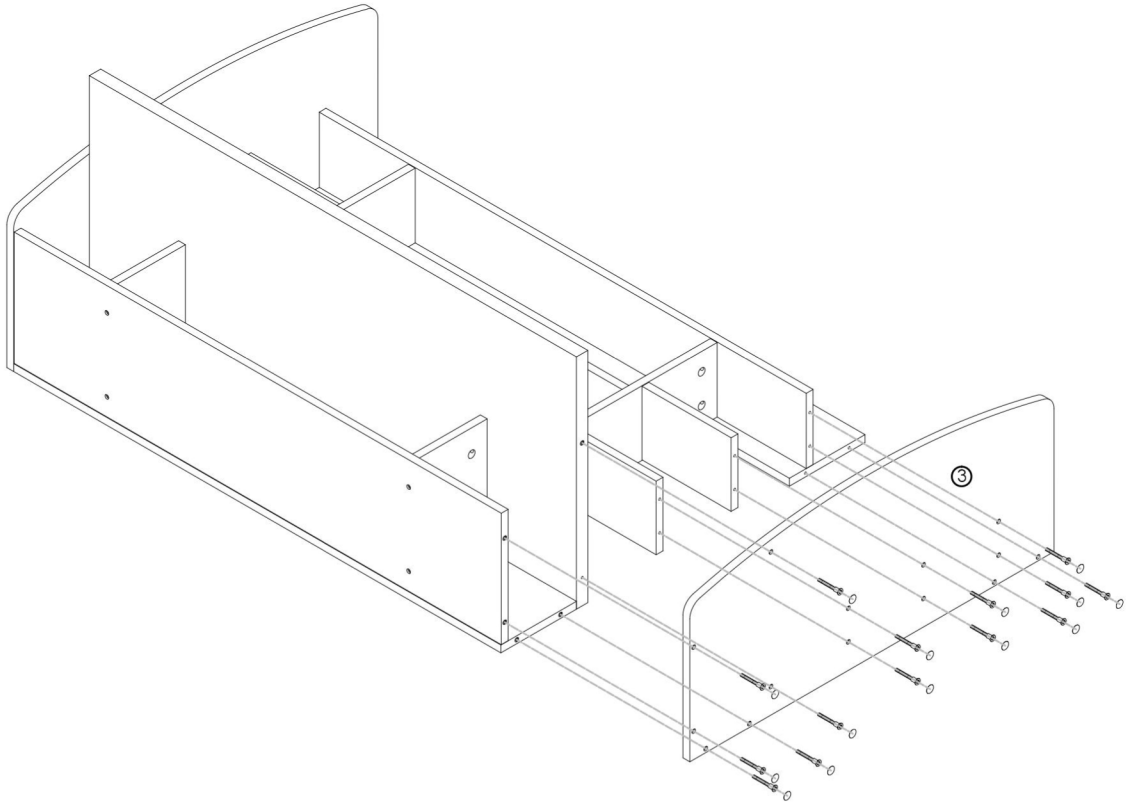
$B*4+E*4$

7



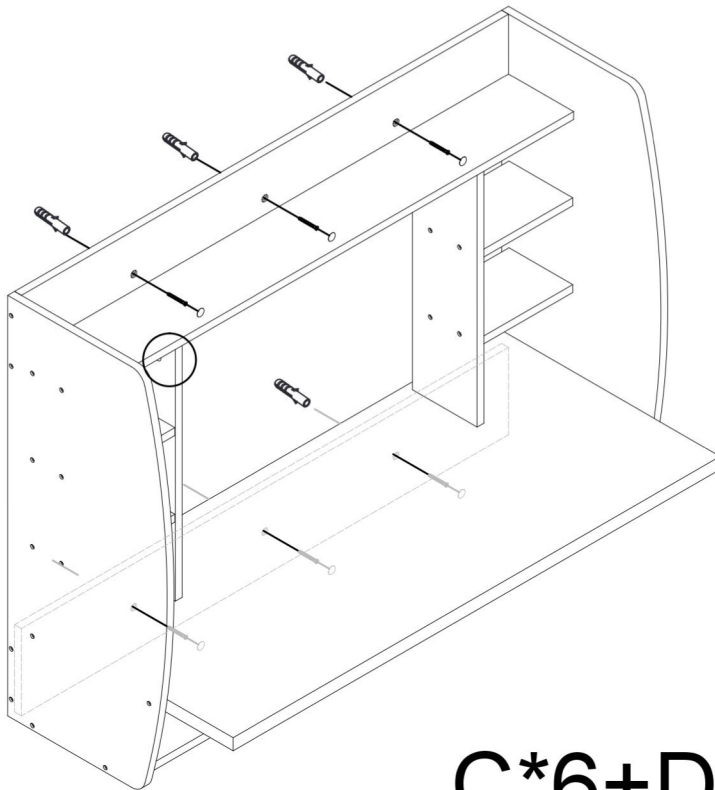
$B*14+E*14$

8



$B*14+E*14$

9



$C*6+D*6+F*18$