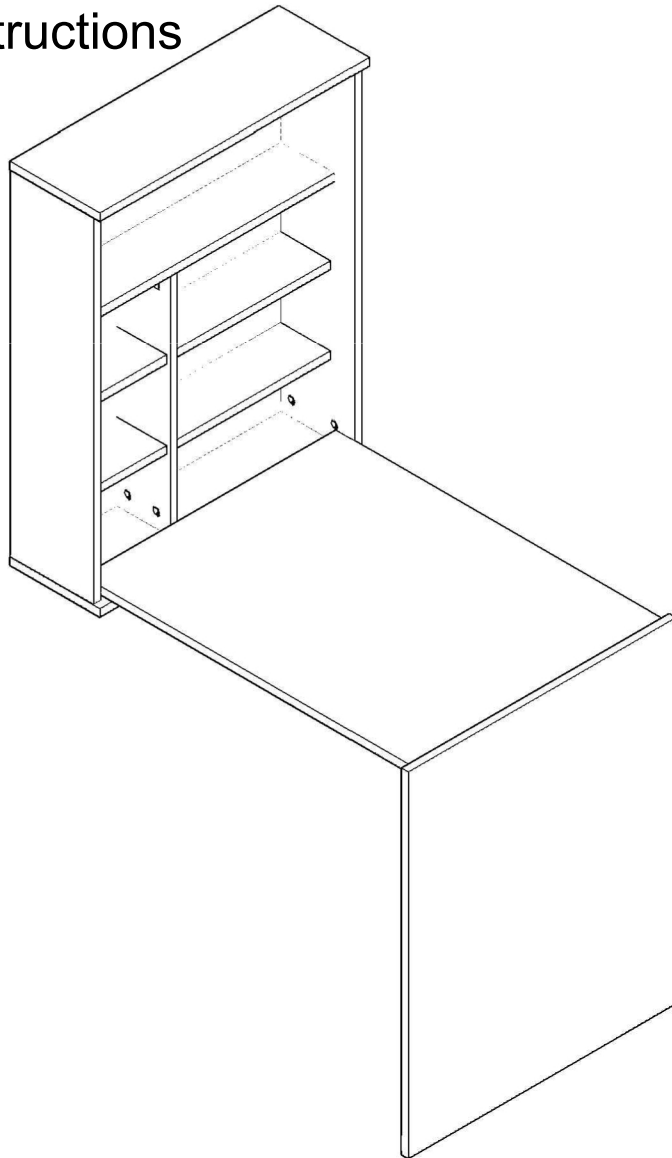

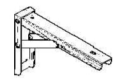
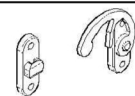
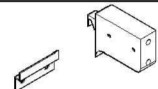

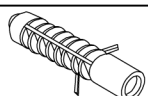







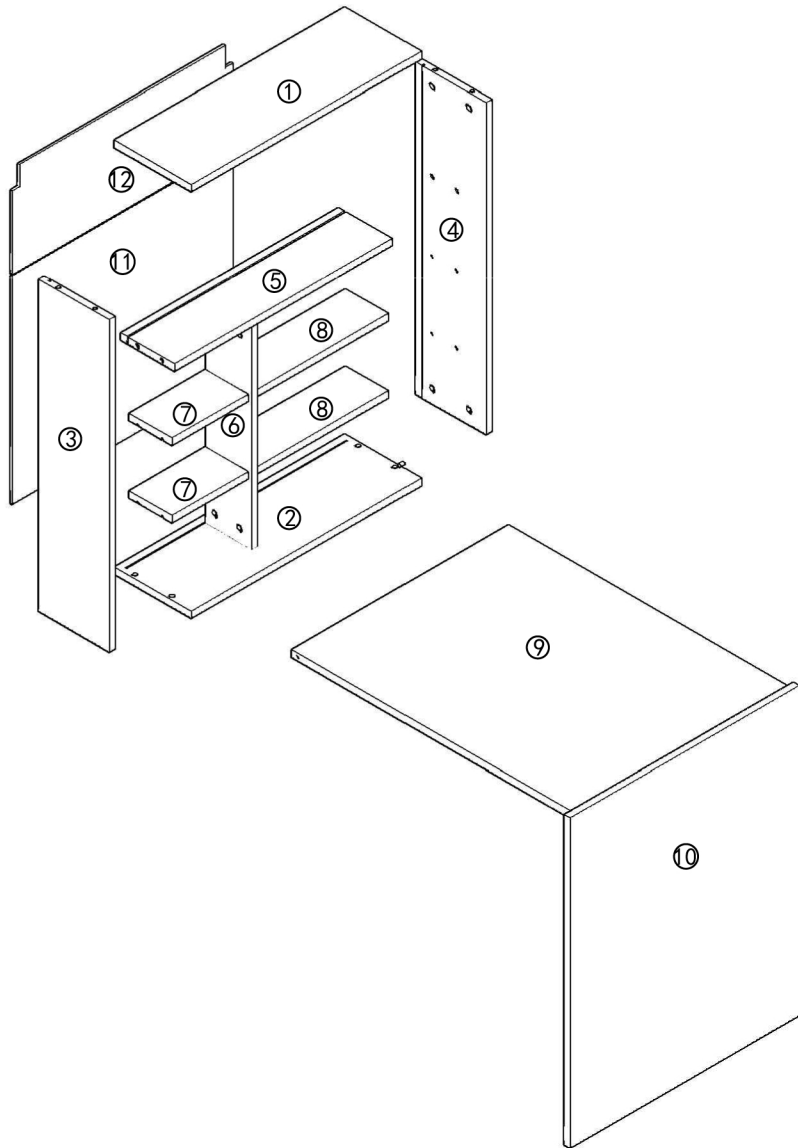


By:  **Quickway Imports** inc.
www.quickwayimports.com
info@quickwayimports.com

Wall Mount Laptop Folding Desk
 SKU: QI003558
 Assembly Instructions

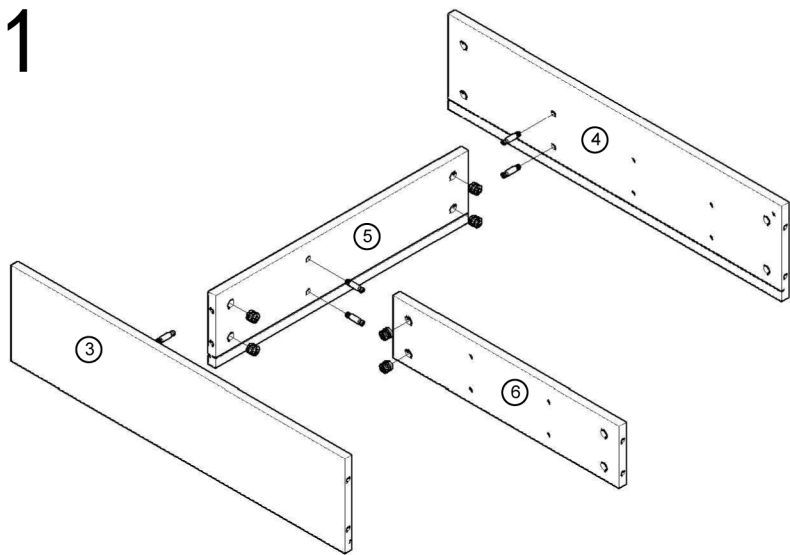


NO.	QTY.	LINEDRAWING	DESCRIPTION
A	16		
B	2		
C	3		
D	2		
E	18		
F	4		
G	4	$\phi 6*60$ 	
H	4	$\phi 3.5*30$ 	
I	12	$\phi 3.5*14$ 	
J	12	$\phi 3*14$ 	
K	16	$\phi 20$ 	



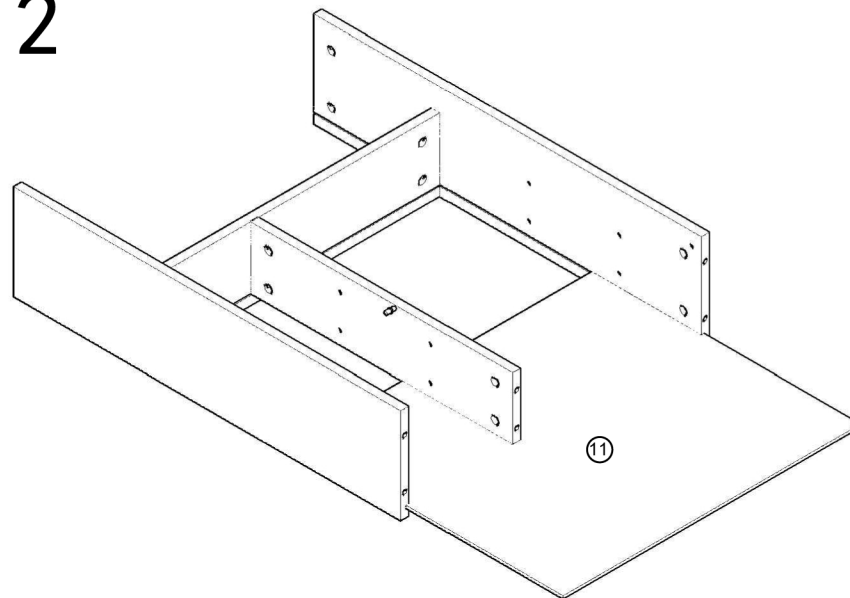
NO.	QTY.	LINEDRAWING	DESCRIPTION
①	1		
②	1		
③	1		
④	1		
⑤	1		
⑥	1		
⑦	2		
⑧	2		
⑨	1		
⑩	1		
⑪	1		
⑫	1		

1

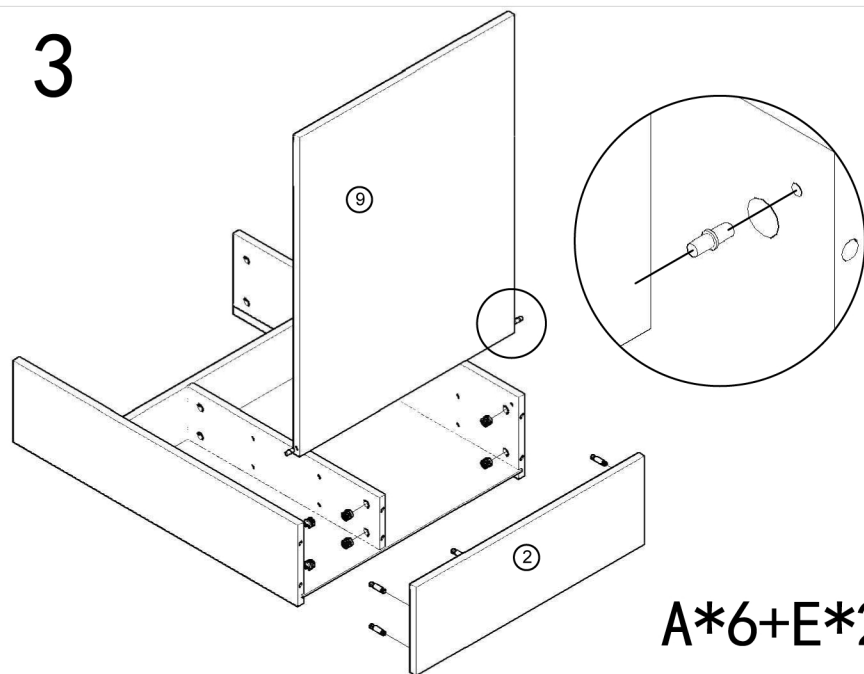


A*6

2

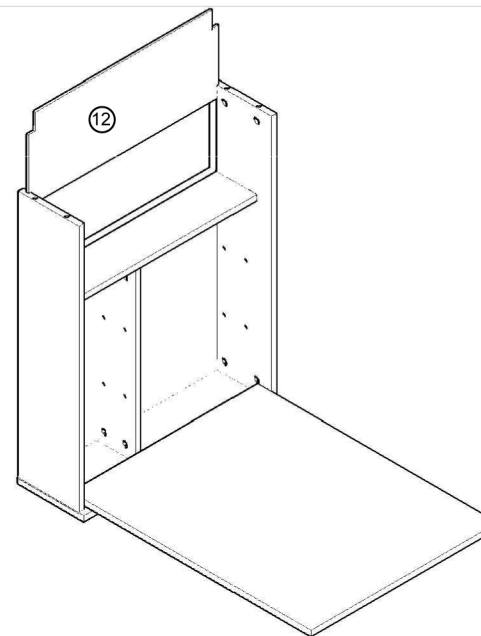


3

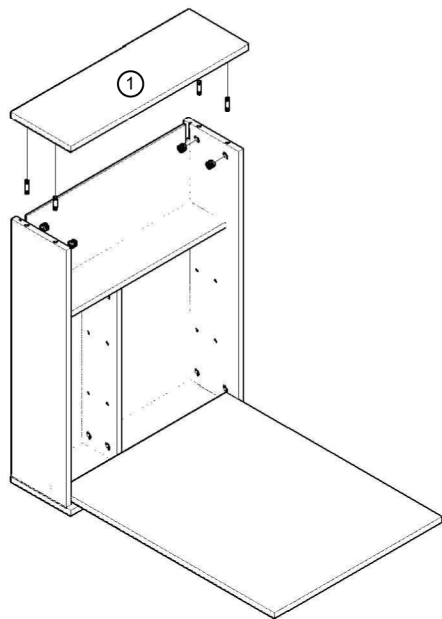


A*6+E*2

4

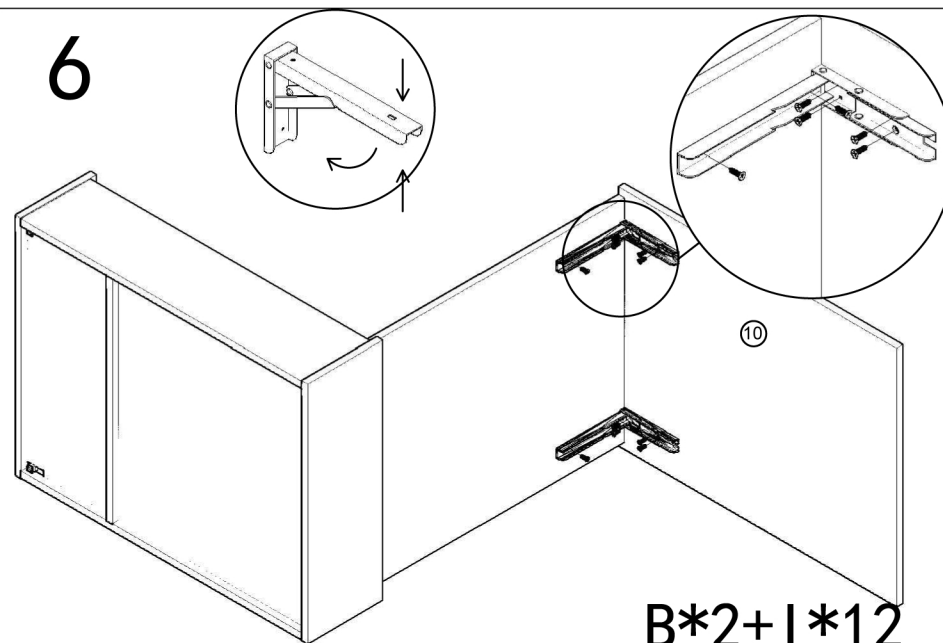


5



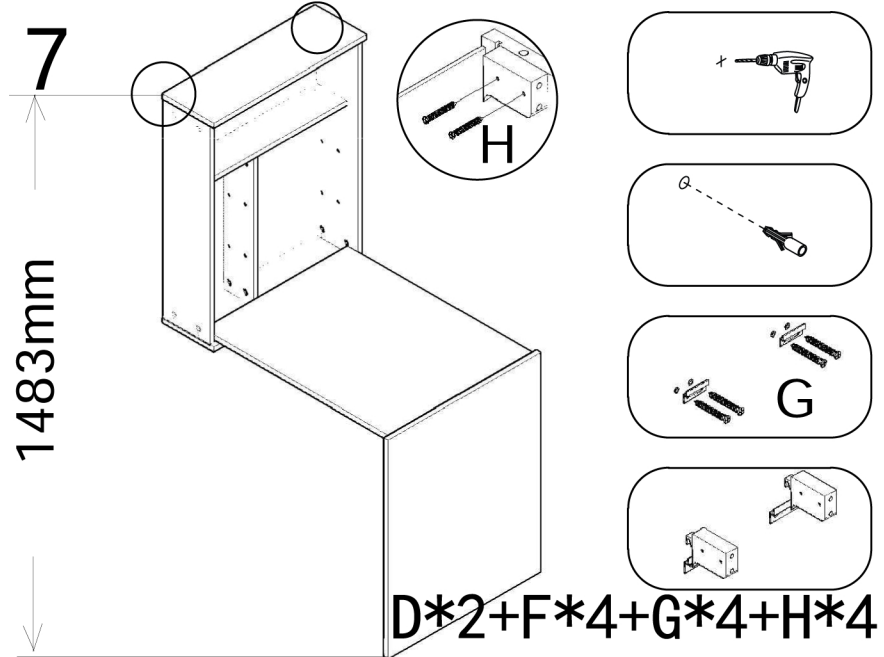
A*4

6



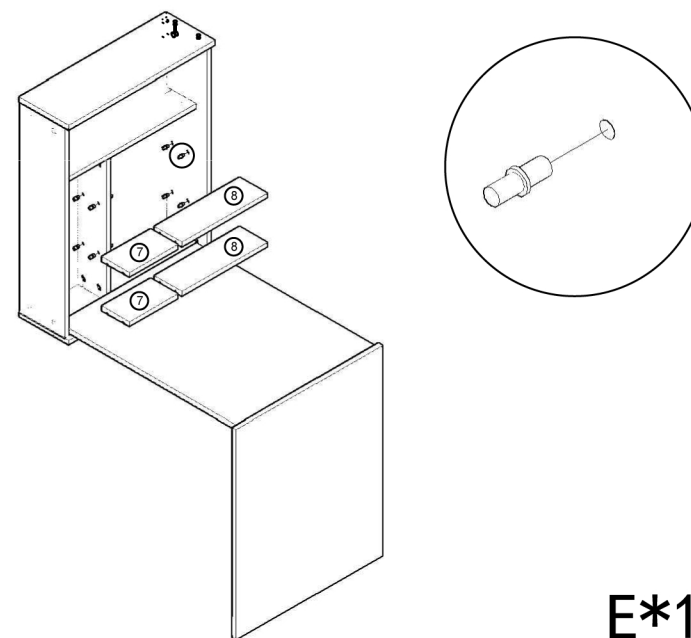
B*2+I*12

7



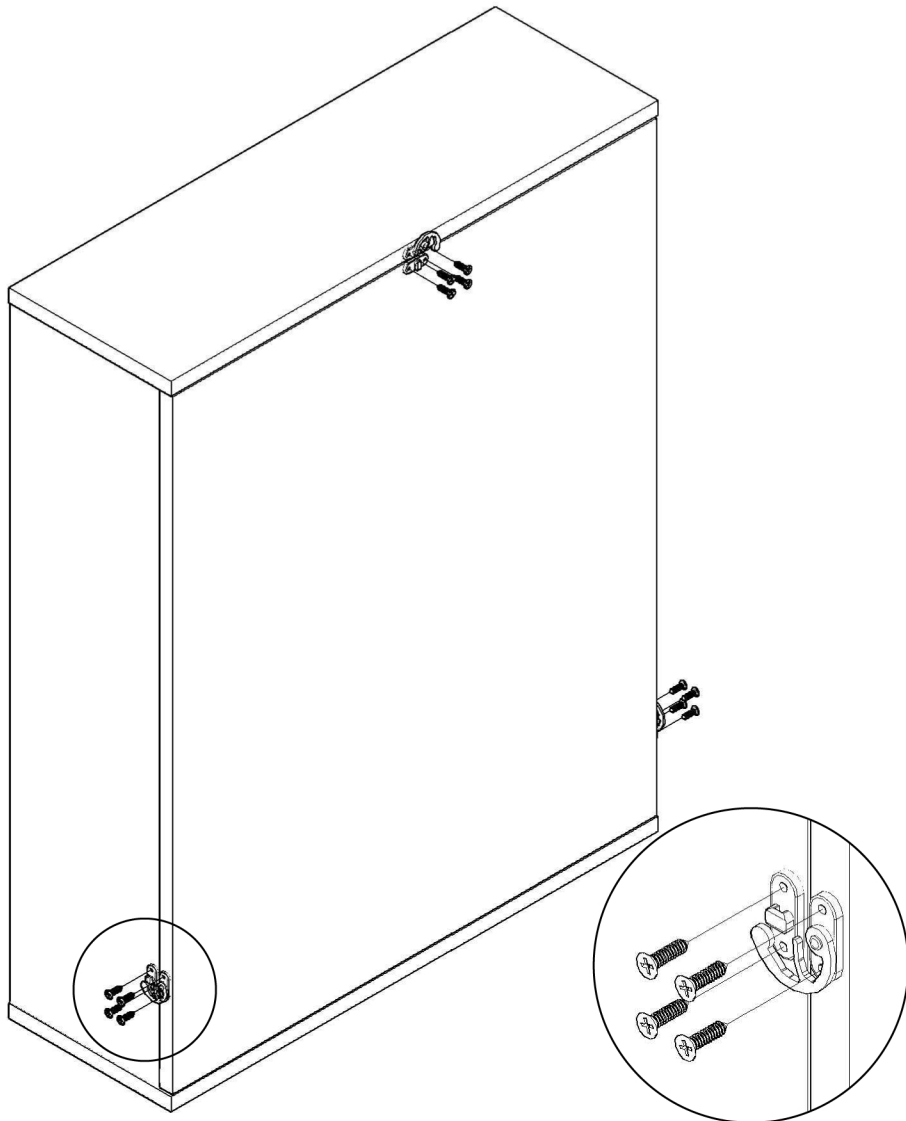
D*2+F*4+G*4+H*4

8



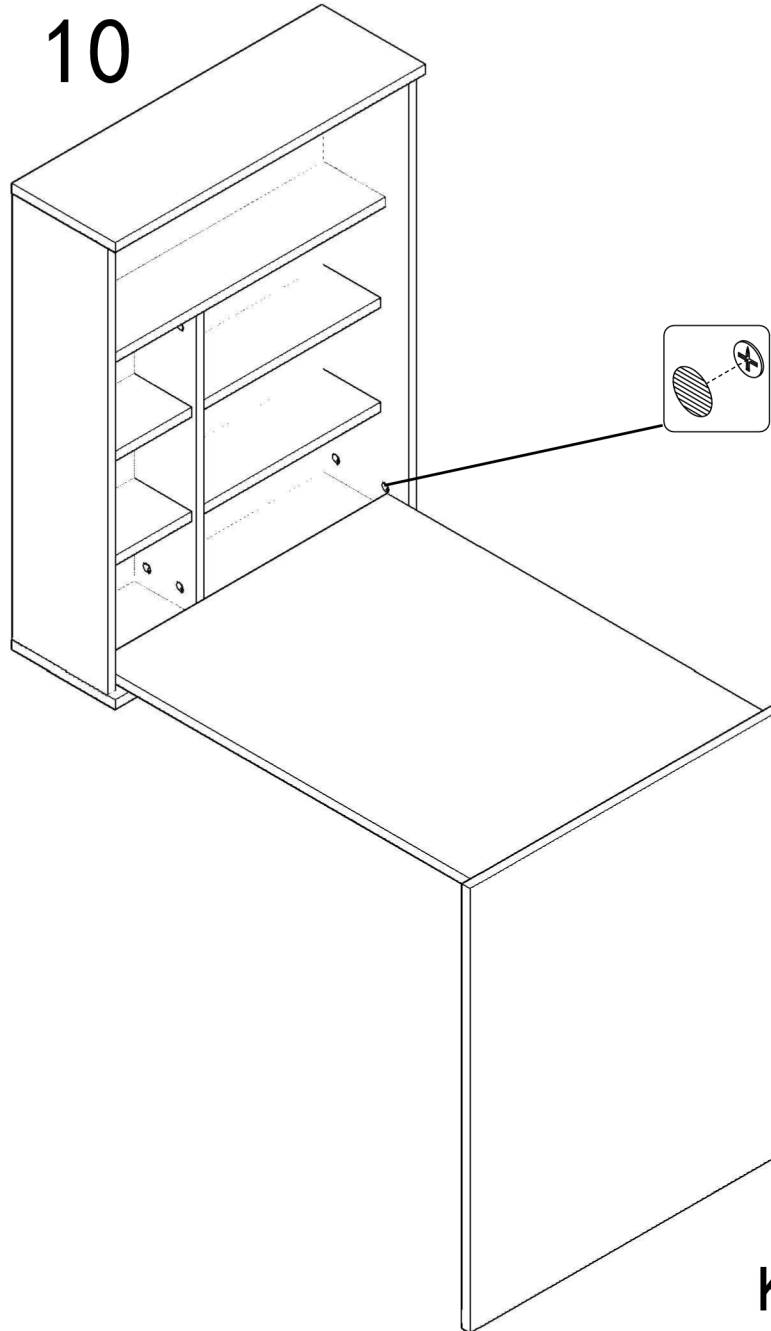
E*16

9



C*3+J*12

10



K*16