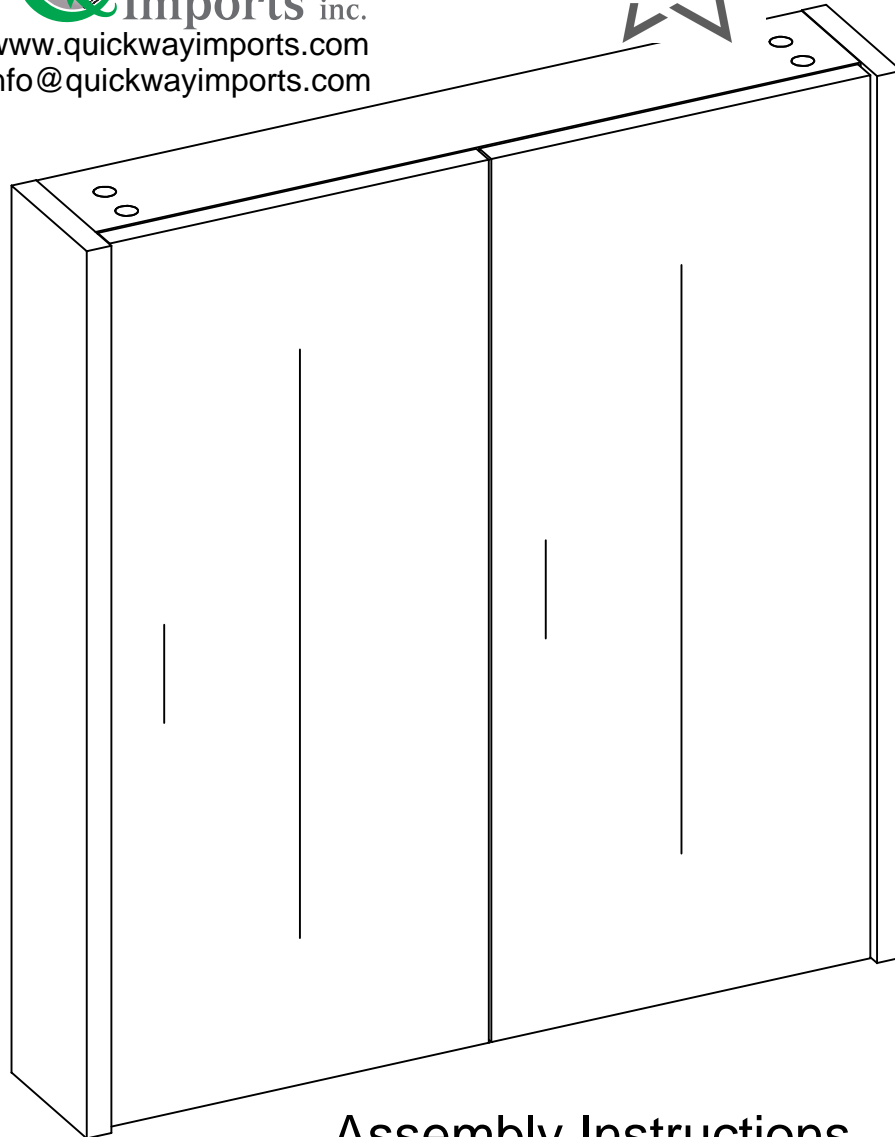




Quickway
Imports inc.

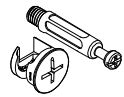

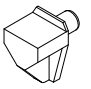
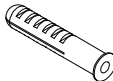

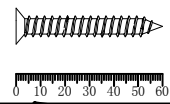

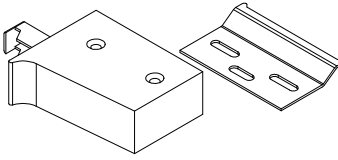

www.quickwayimports.com
info@quickwayimports.com

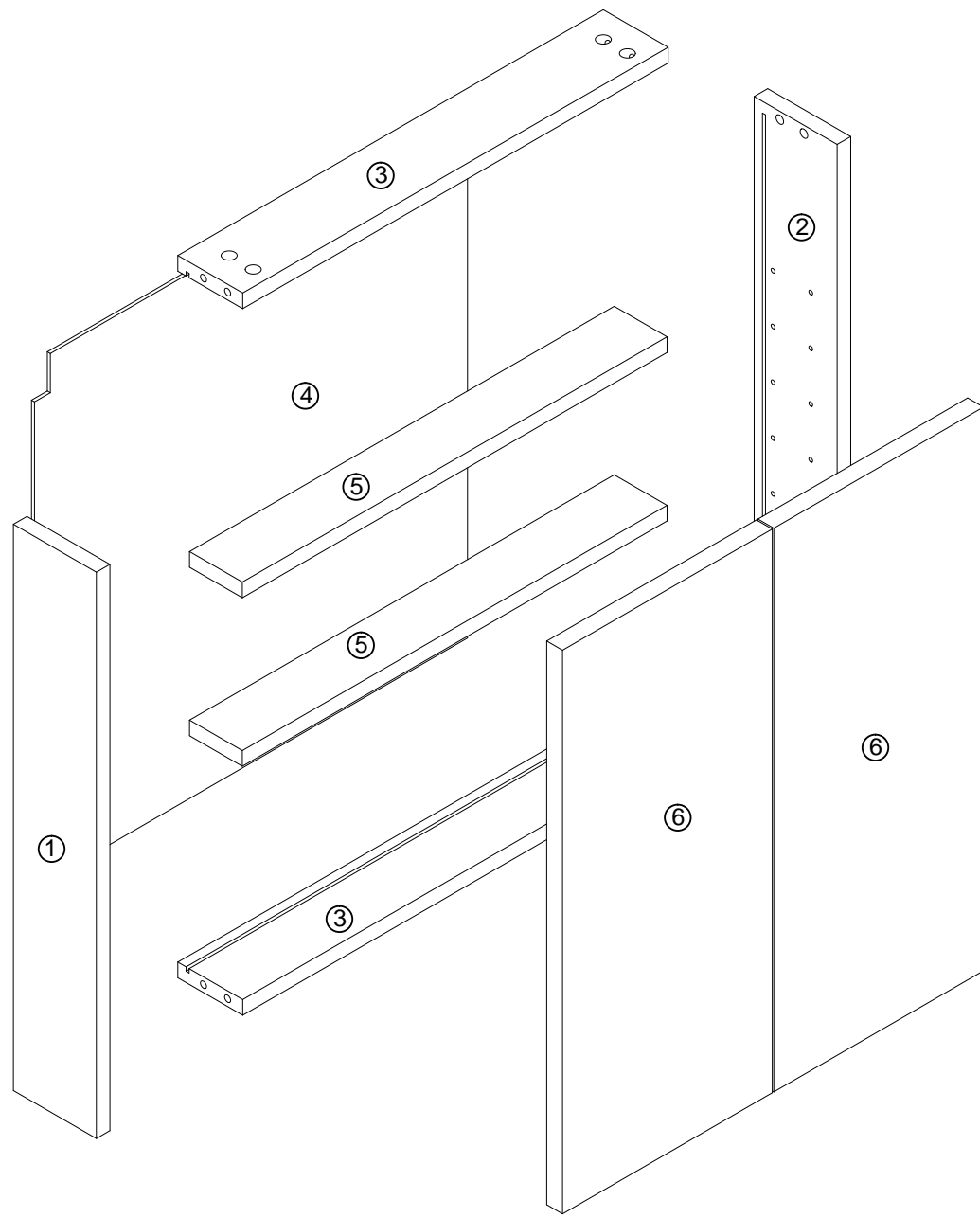
Basicwise



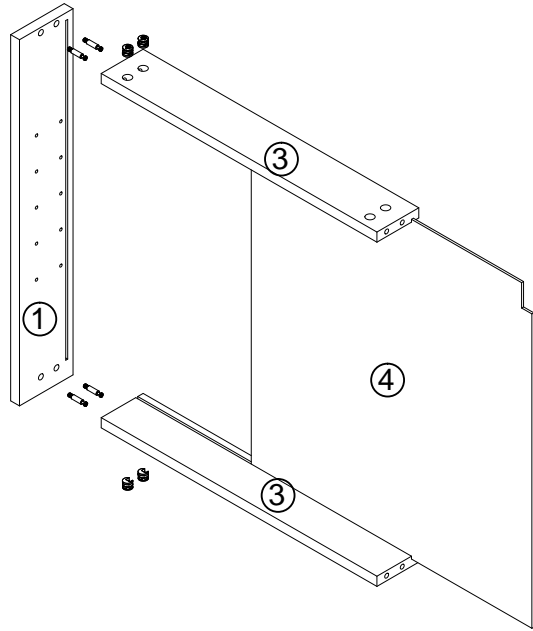
Assembly Instructions

QI003674

NO.	QTY.	LINEDRAWING	DESCRIPTION
A	8		
B	28		
C	8		
D	4		
E	4	 3.5*35	
F	4	 6*60	
G	4		
H	2		
I	4		

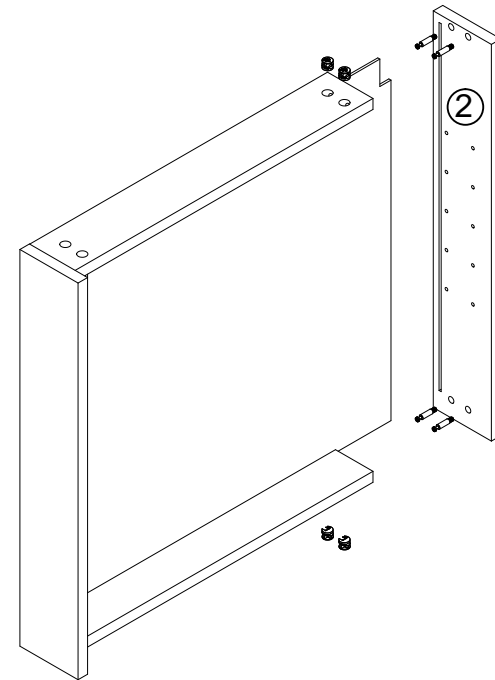


1



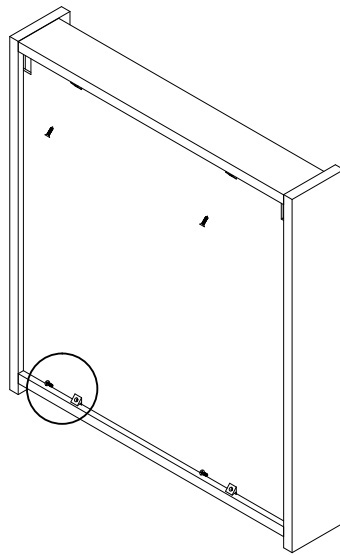
A*4

2



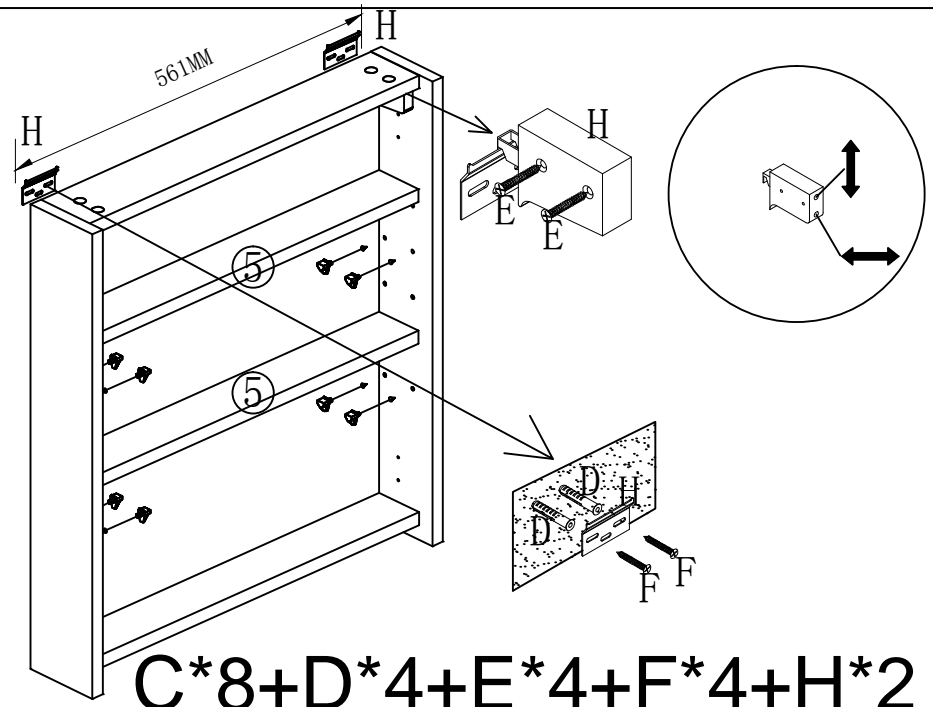
A*4

3



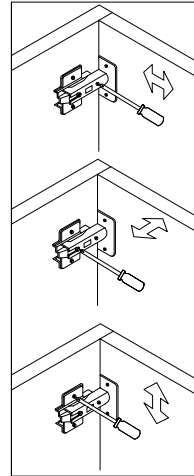
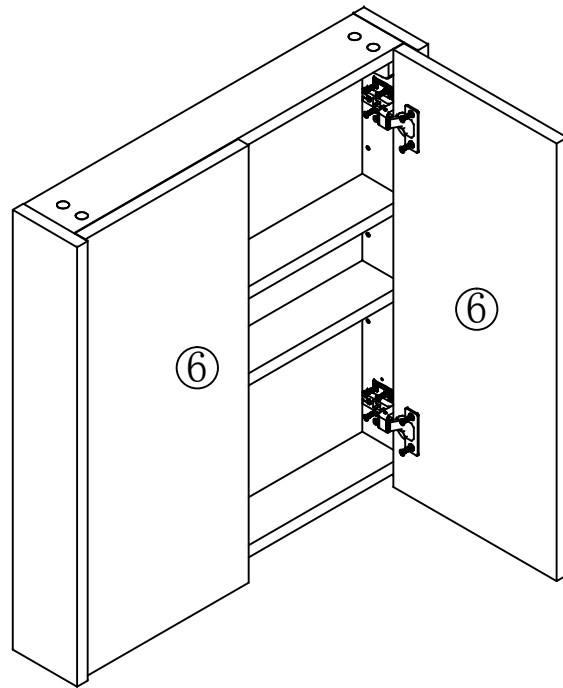
B*4+I*4

4

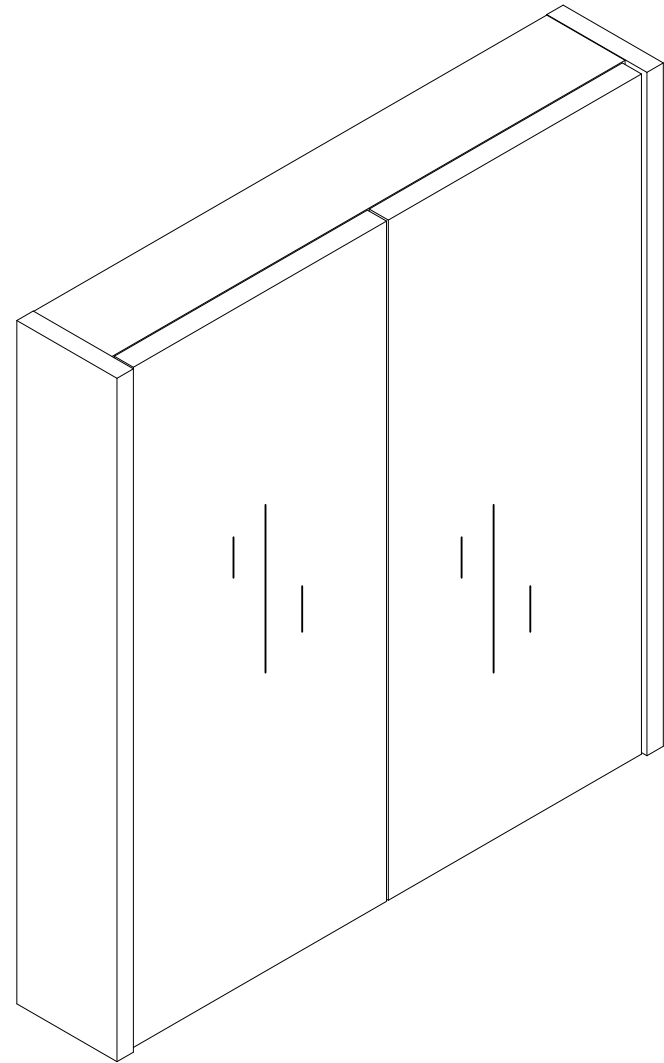


C*8+D*4+E*4+F*4+H*2

5



6



B*24+G*4