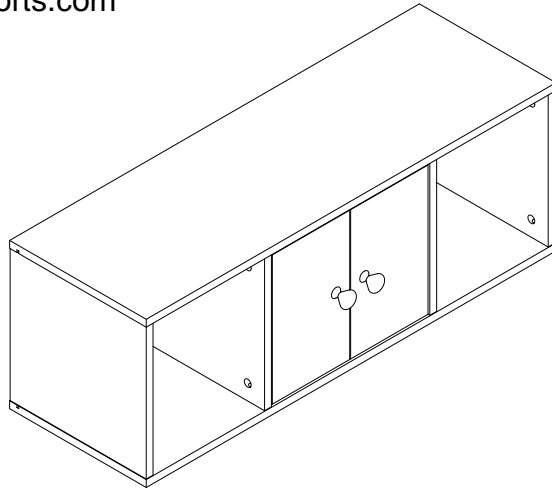




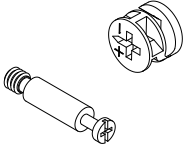

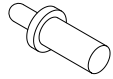

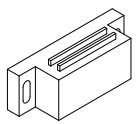
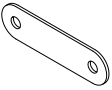



**Quickway**  
Imports inc.

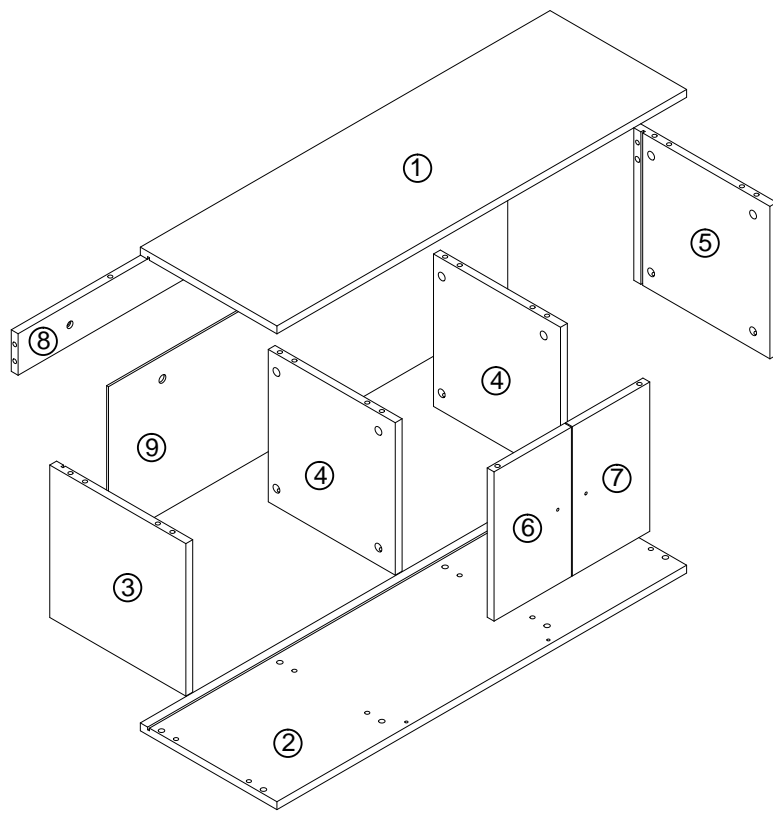
www.quickwayimports.com  
info@quickwayimports.com



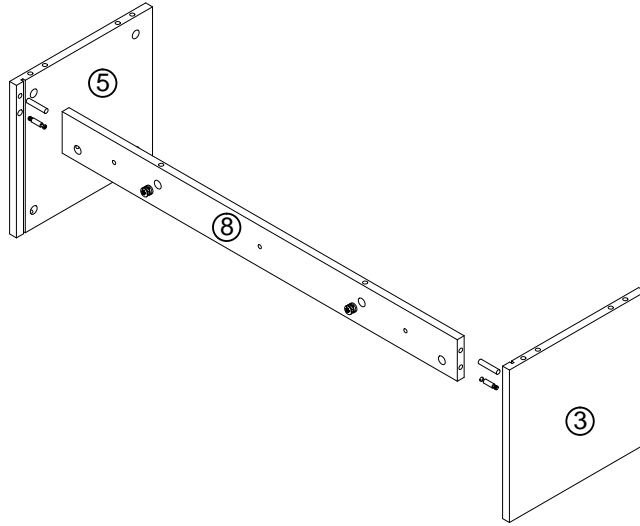
## Assembly Instructions

QI003676

|  |  |  |   |
|--|--|--|---|
|             | <br>Ø8*40 |           |  |
| A×20   | B×18   | C×4  | D×2   |
|             |           | <br>Ø3*14 |  |
| E×1  | F×2  | G×6  | H×3   |
| <br><br>< € |  |  |   |
| QGH  |  |  |   |

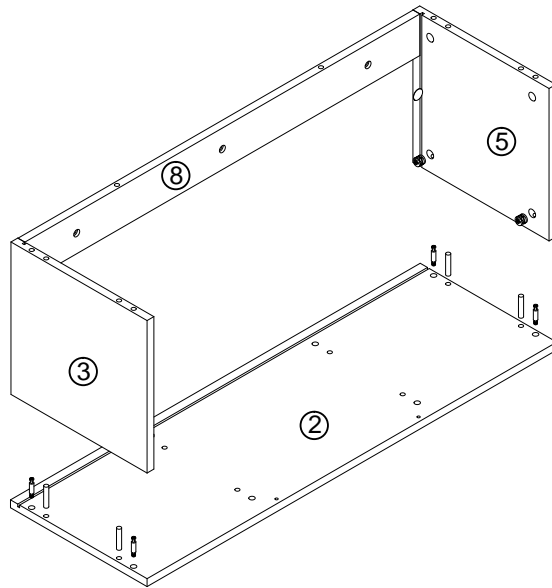


# 1



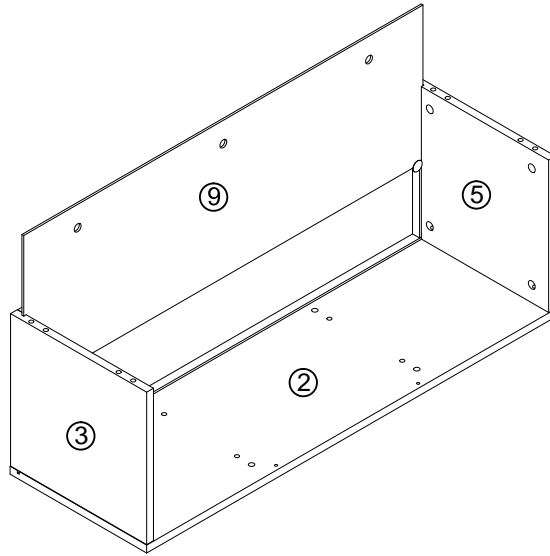
$$A*2+B*2$$

# 2

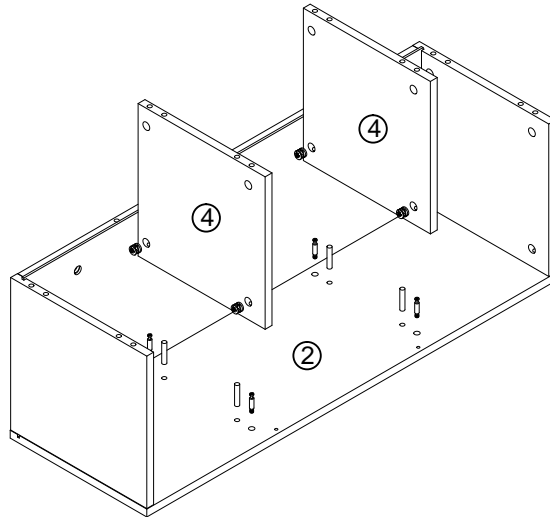


$$A*4+B*4$$

# 3

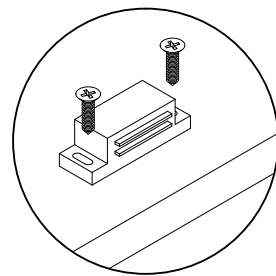
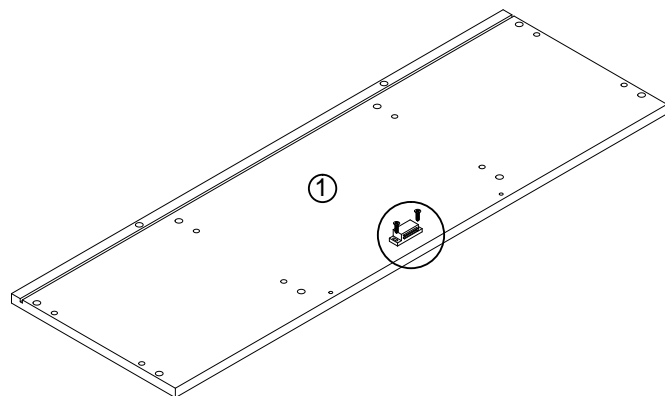


# 4



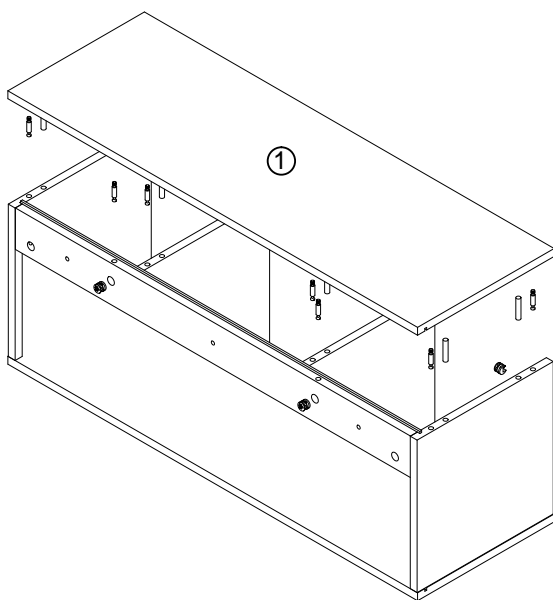
$A*4+B*4$

5



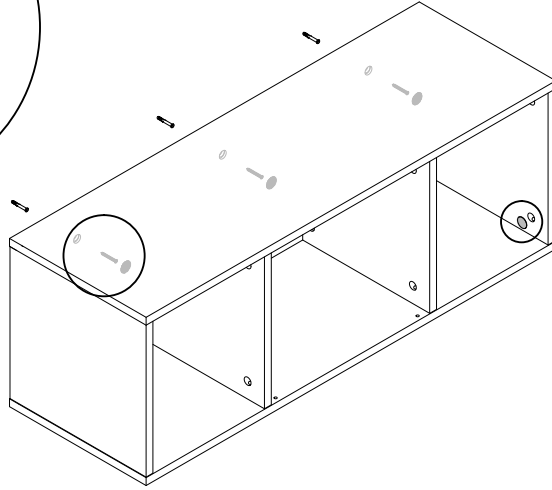
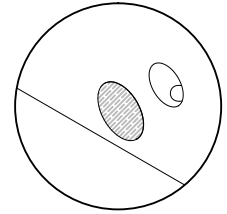
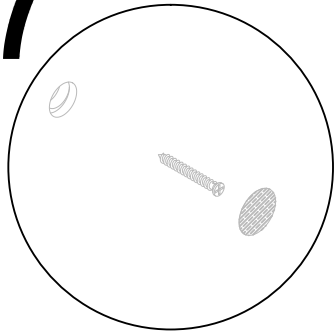
$E*1+G*2$

6



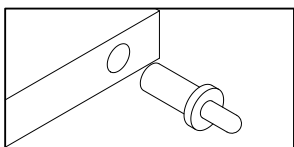
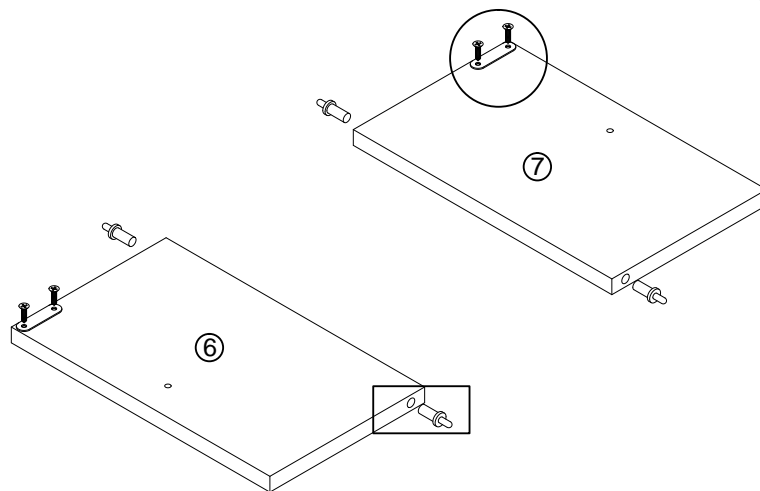
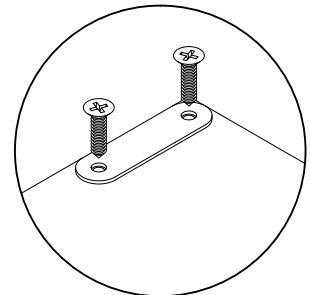
$A*10+B*8$

7



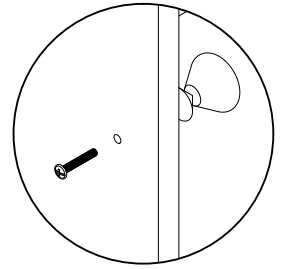
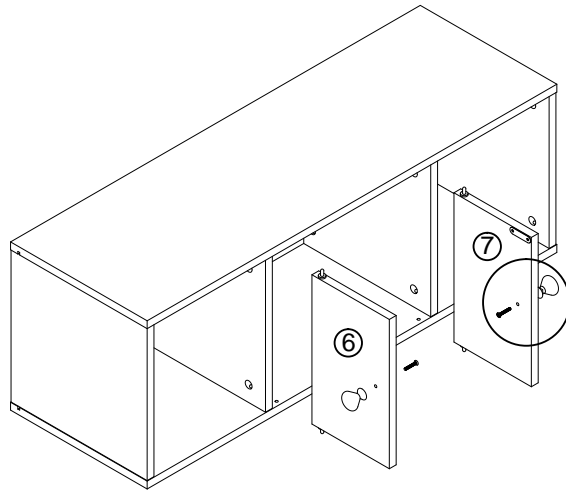
$H*3+I*23$

8



$C*4+F*2+G*4$

# 9



D\*2

# 10

