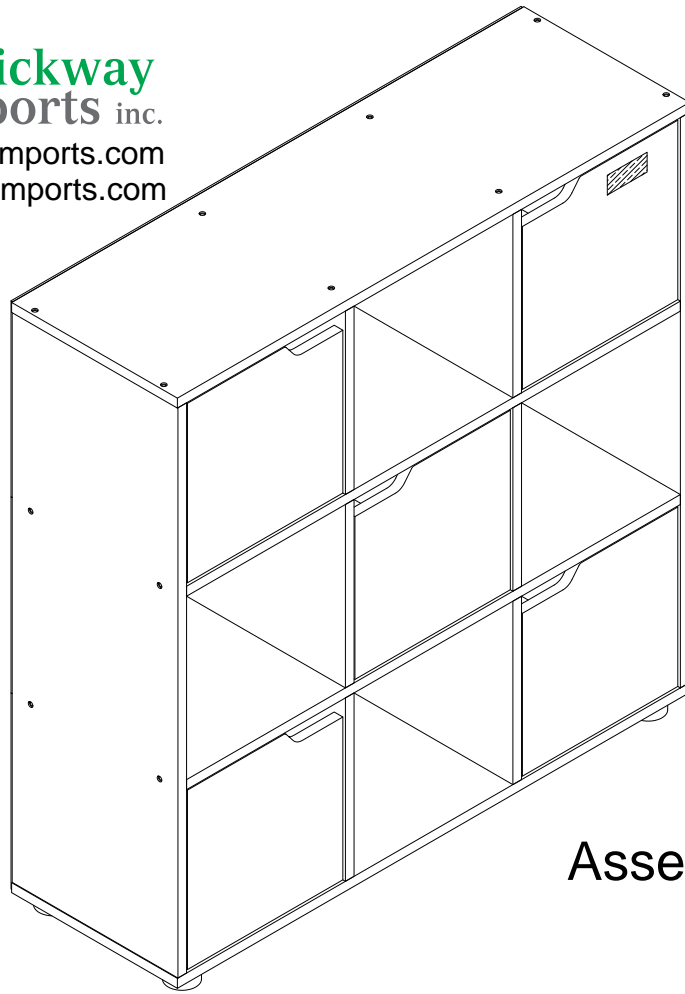


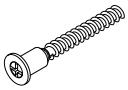

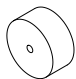
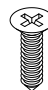
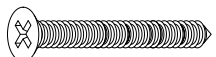
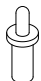
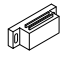


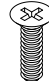

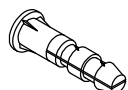



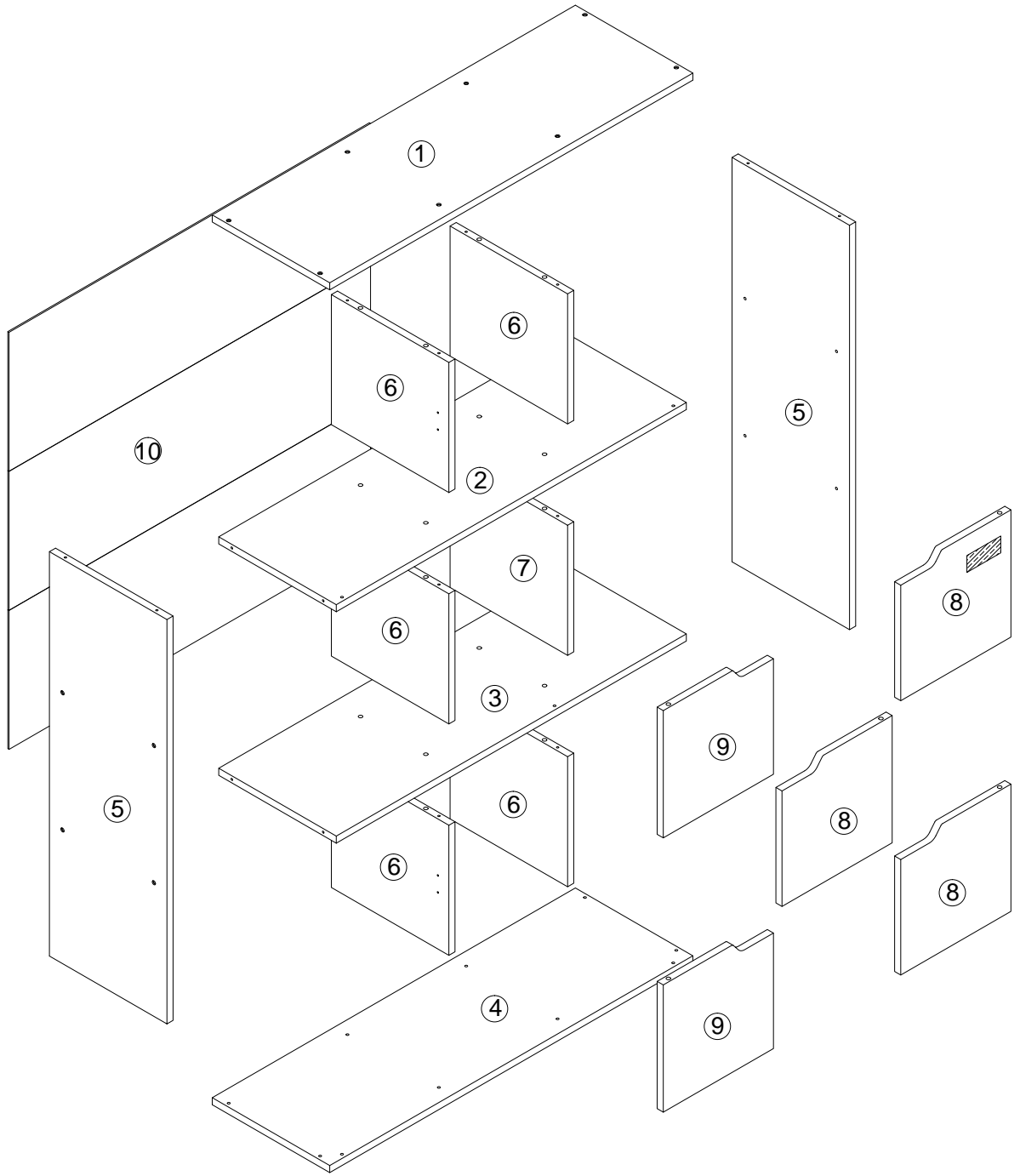
www.quickwayimports.com
info@quickwayimports.com



Assembly Instructions

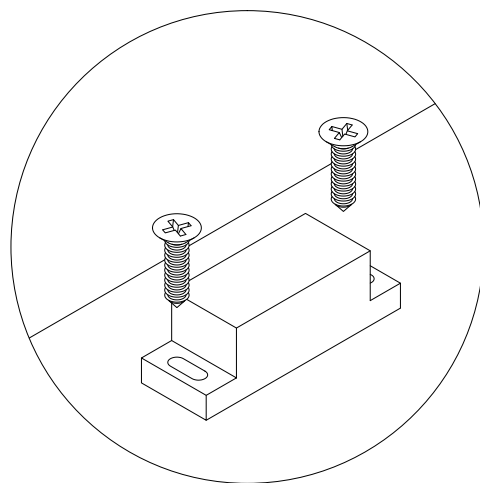
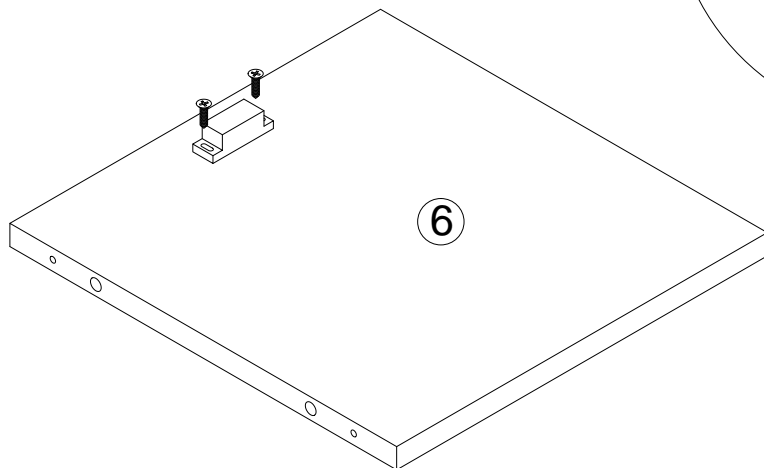
QI003677

 Ø5*40	 Ø8*60		 < HFI	 Ø4*30
A*24PCS	B*8PCS	C*5PCS	D*20PCS	E*5PCS
	 G1	 G2		 < HFI
F*10PCS	G*5PCS	H*24PCS	I*40PCS	J*1PCS
 < IHI				
K*1PCS	L*1PCS	M*1PCS		



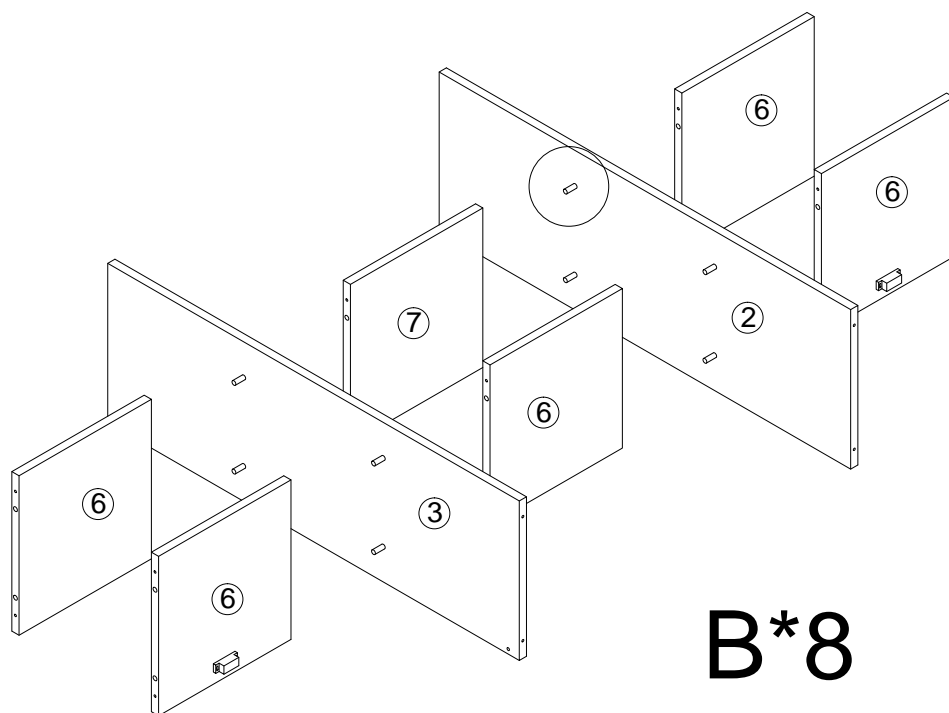
1

X 5PCS



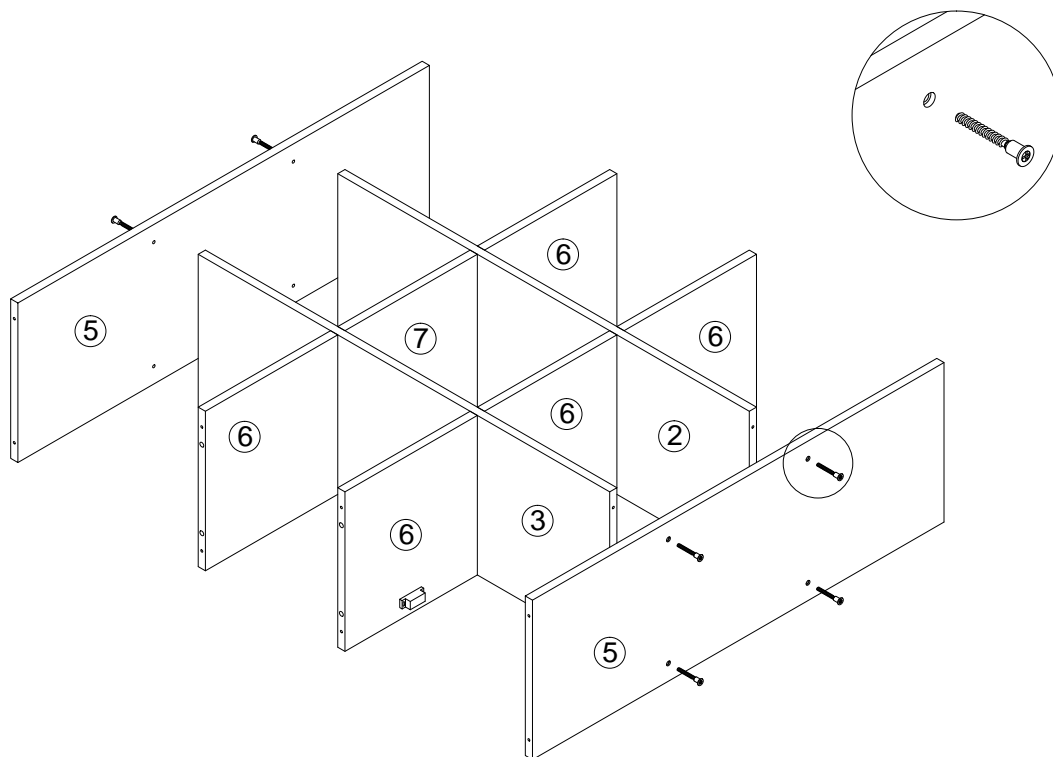
D*10+G1*5

2



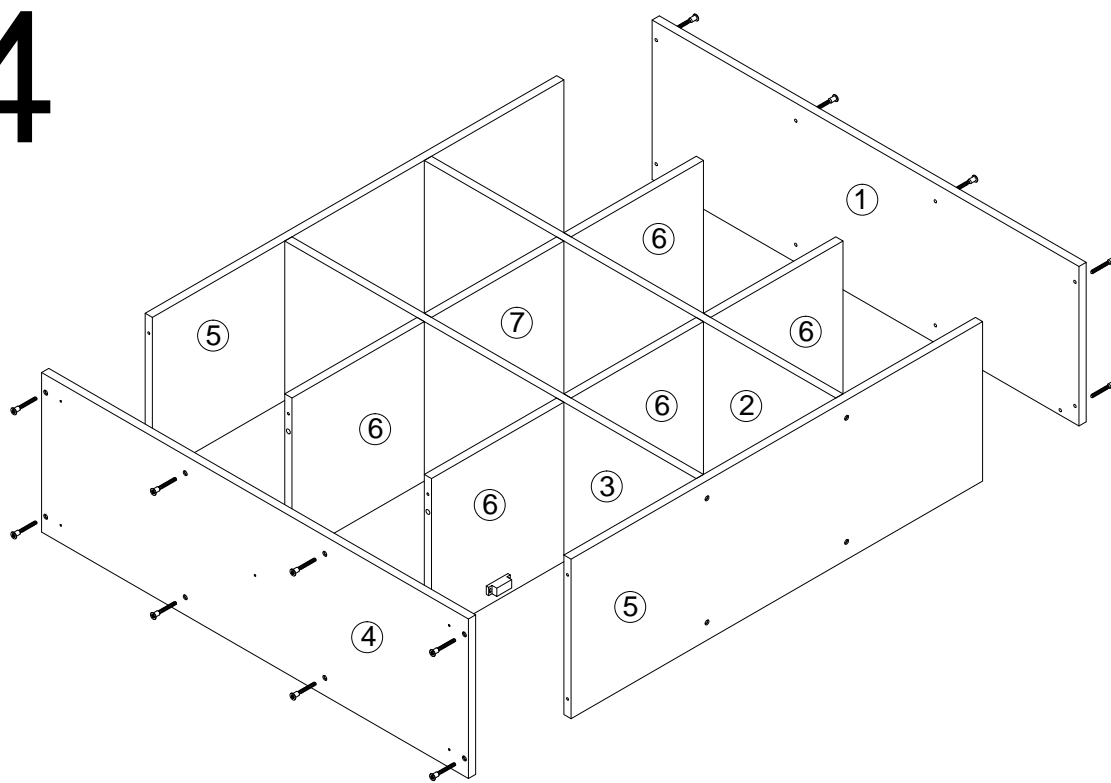
B*8

3



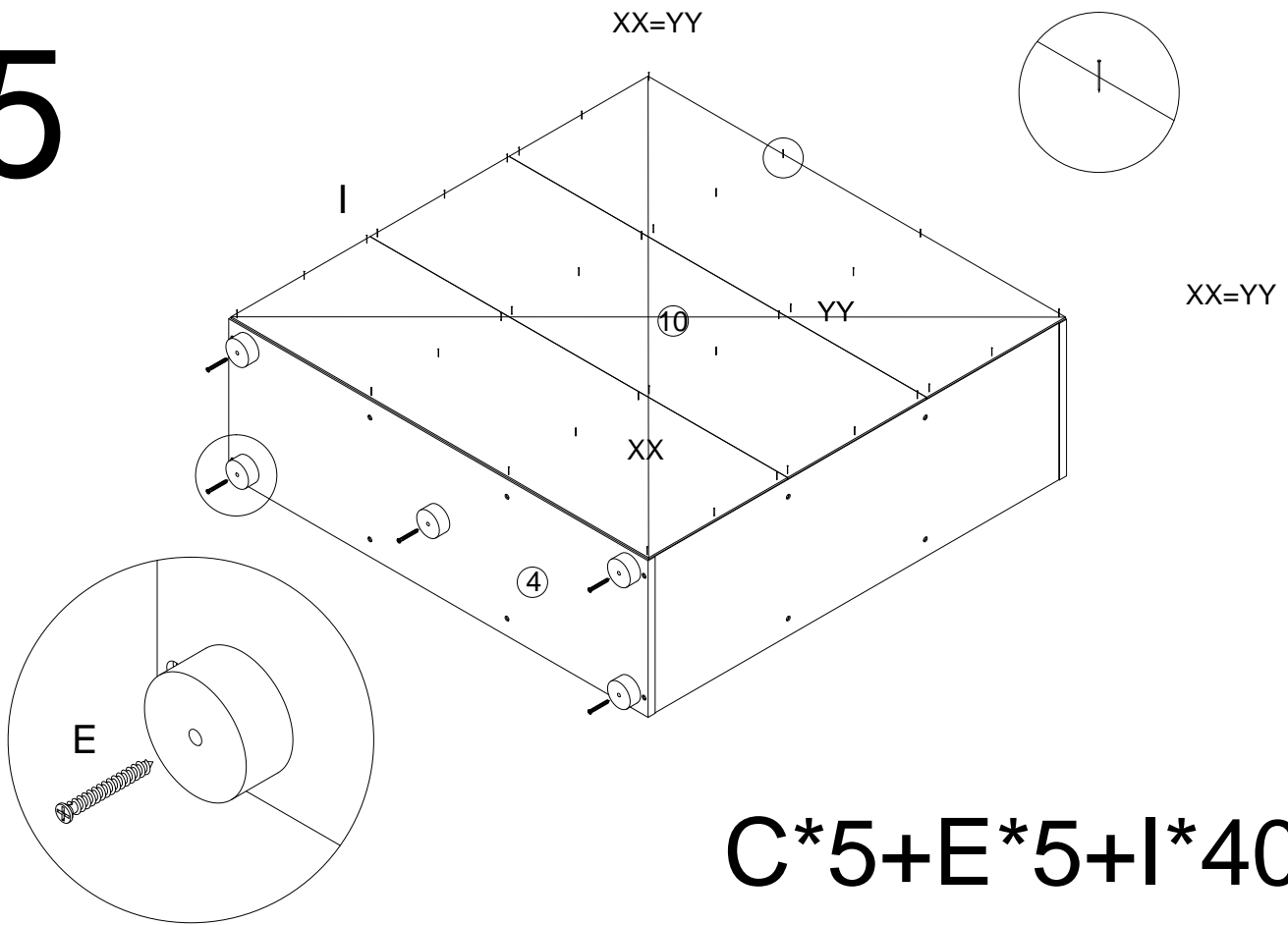
A*8

4

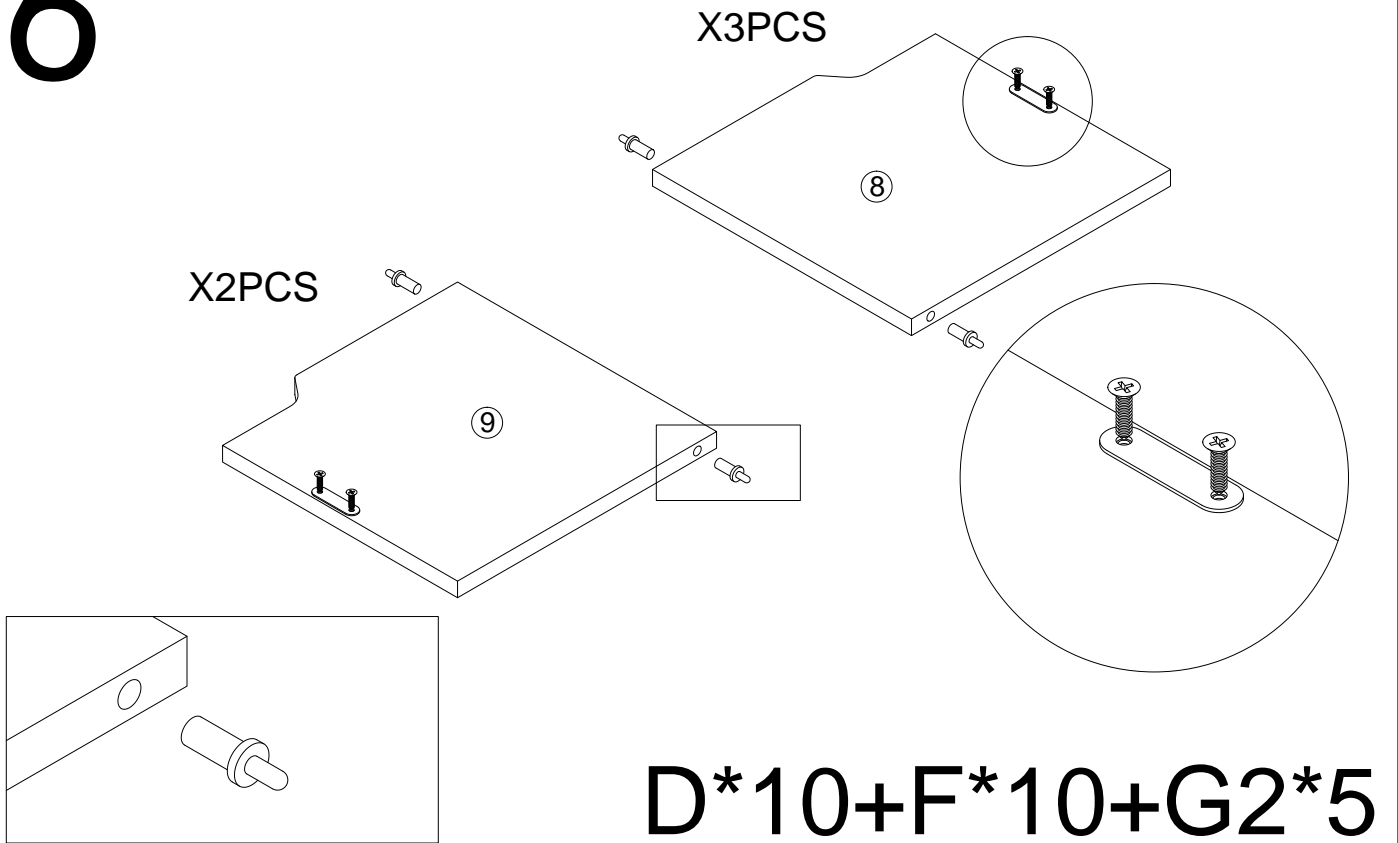


A*16

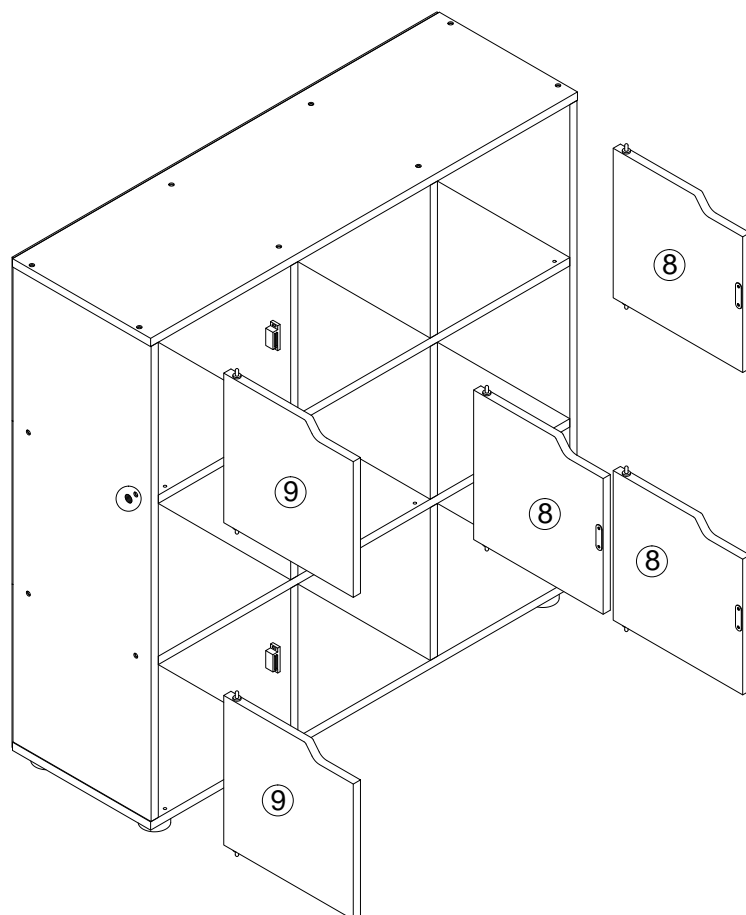
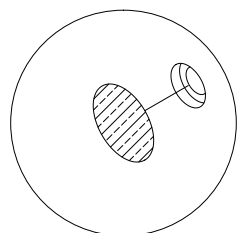
5



6

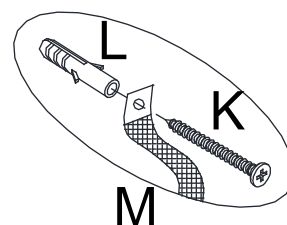
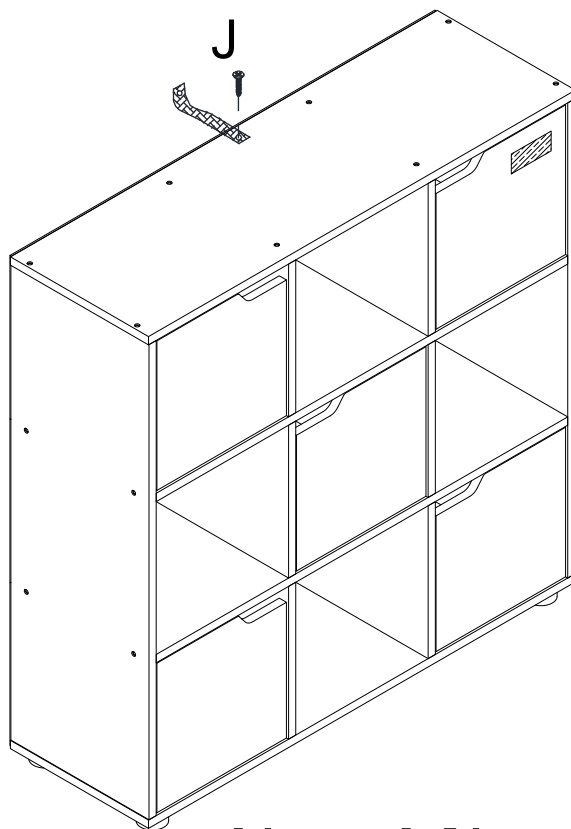


7



H*24

8



J*1+K*1+L*1+M*1