



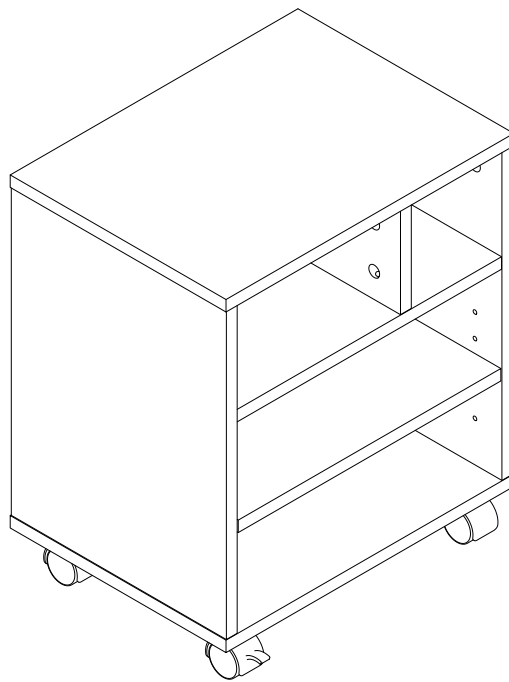
www.quickwayimports.com  
info@quickwayimports.com

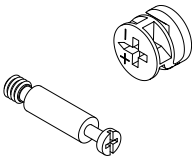



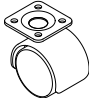
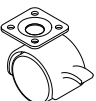




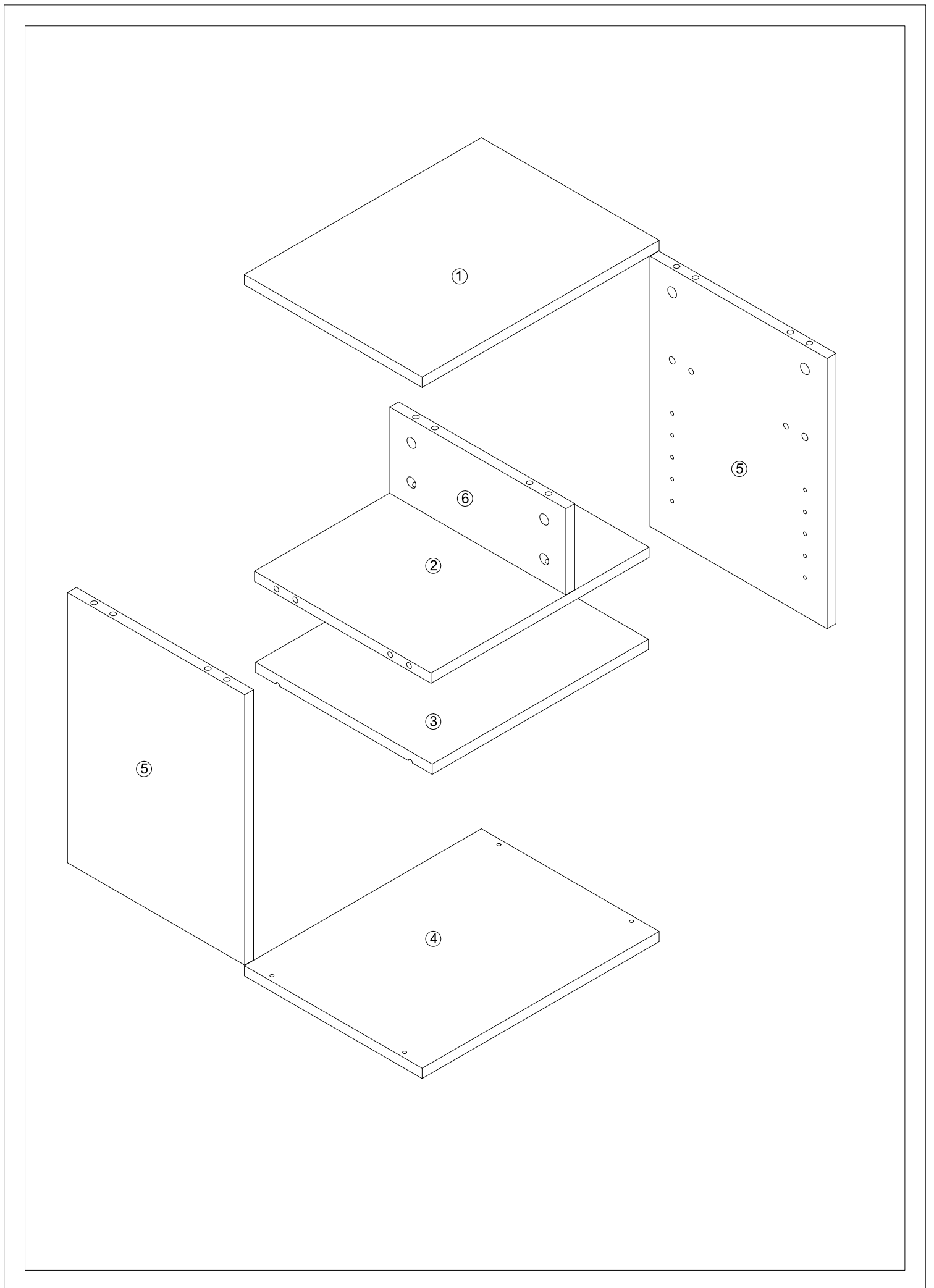
## Printer Stand With Wheels

SKU: QI003730

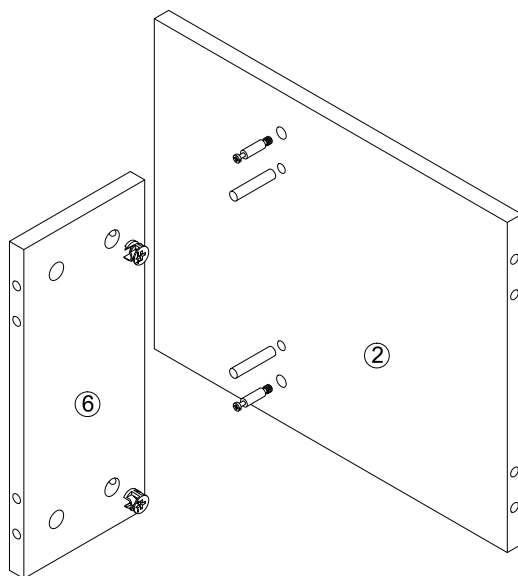
### Assembly Instructions



	 <p>Ø8*40</p>	 <p>Ø5*40</p>	 <p>Ø3.5*14</p>	
<p>A*12</p>	<p>B*12</p>	<p>C*4</p>	<p>D*16</p>	<p>E*2</p>
		 <p>Ø20</p>		
<p>F*2</p>	<p>G*4</p>	<p>H*12</p>		

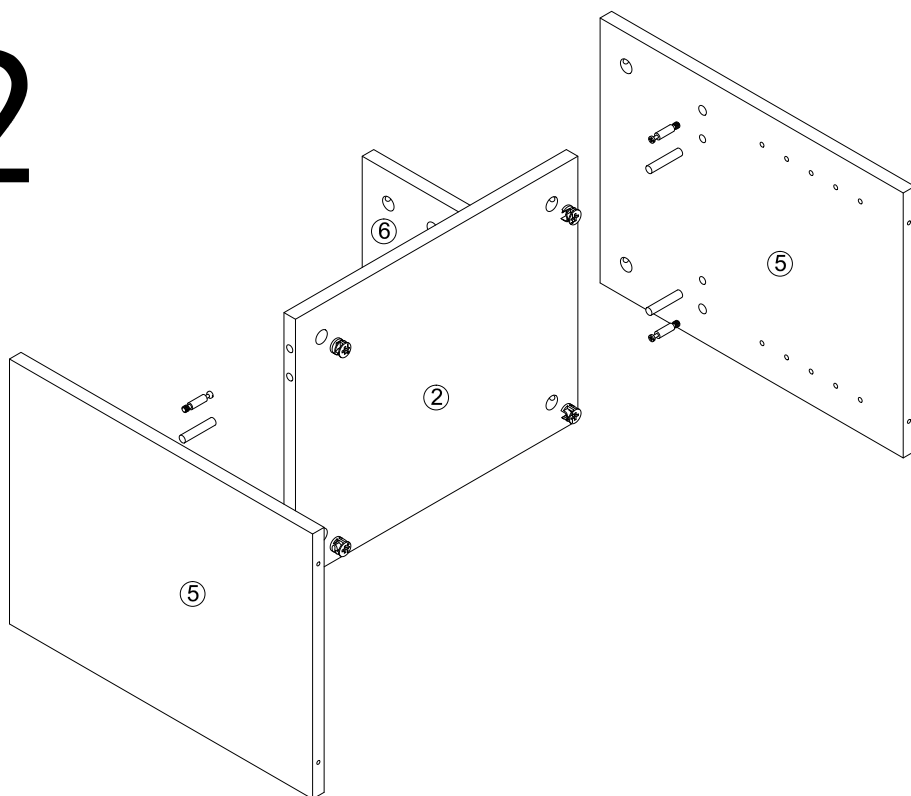


# 1



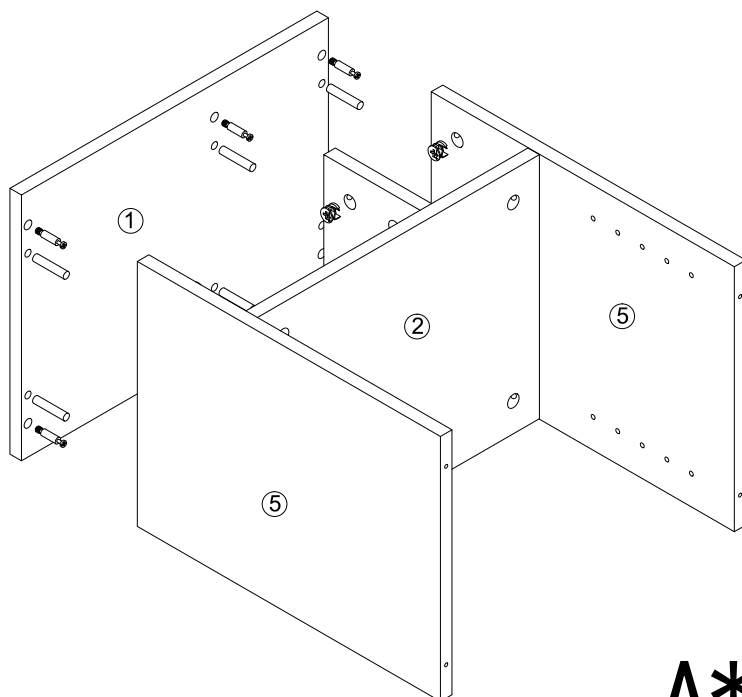
$A*2+B*2$

# 2



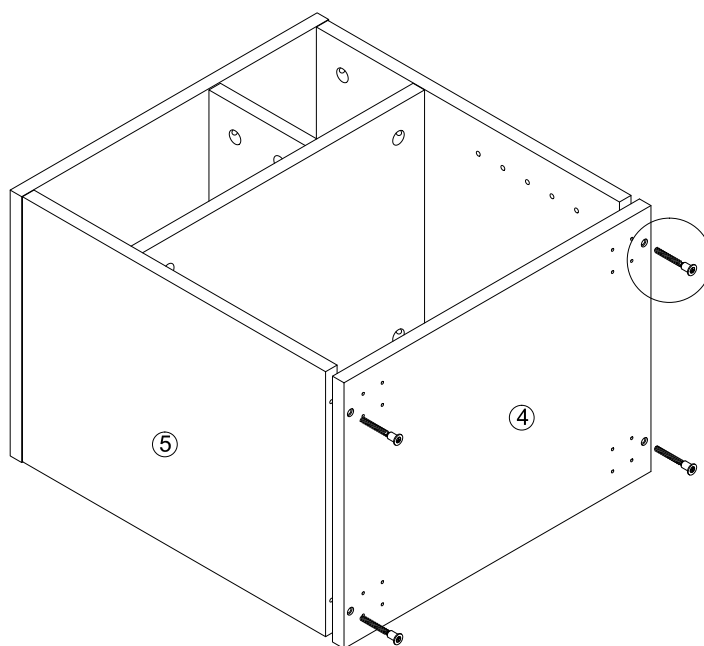
$A*4+B*4$

# 3



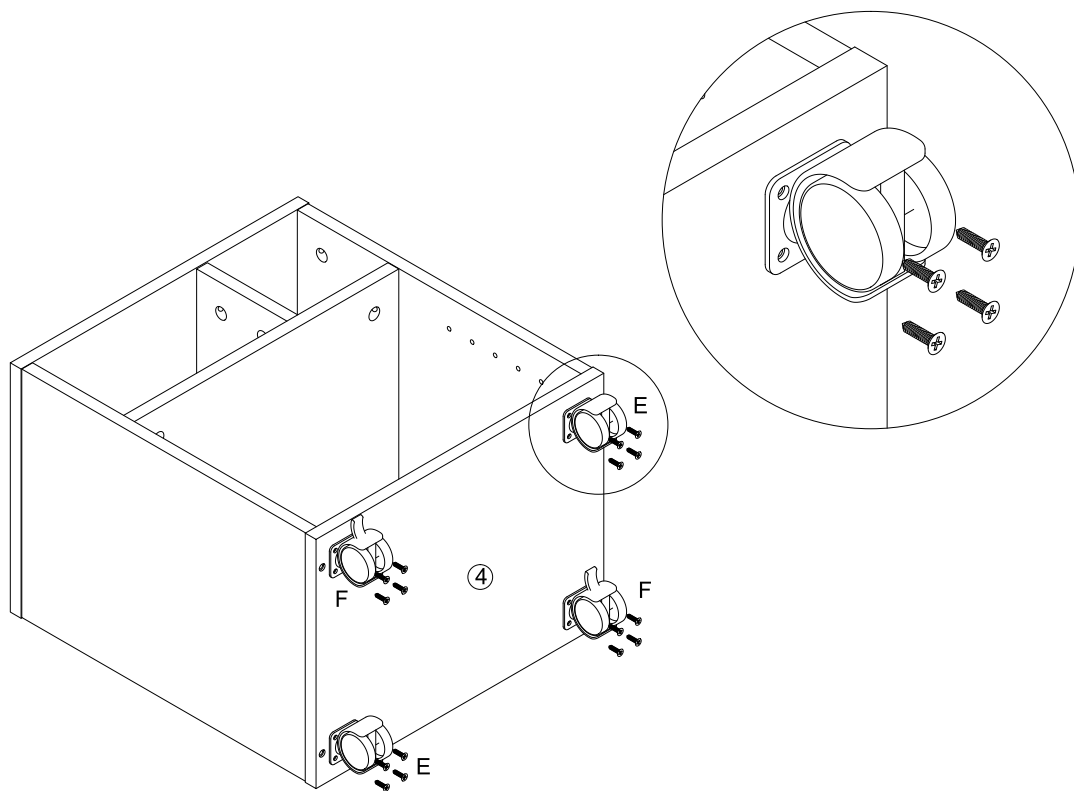
**A\*6+B\*6**

# 4



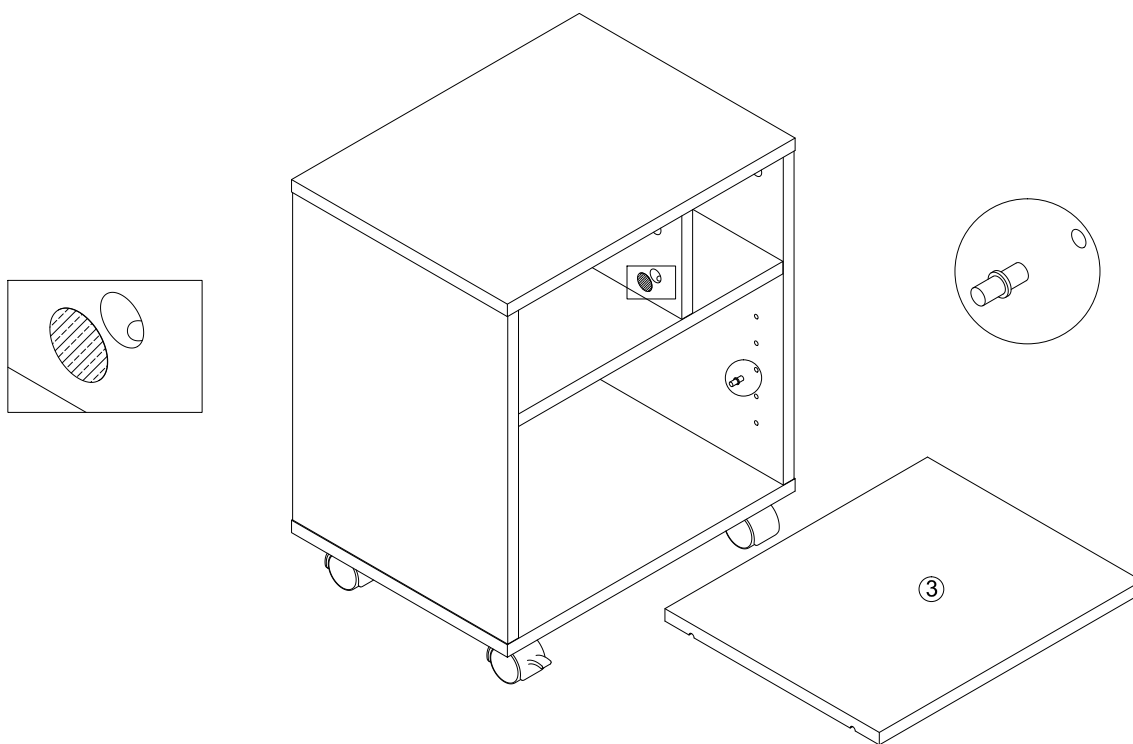
**C\*4**

# 5



**D\*16+E\*2+F\*2**

# 6



**G\*4+H\*12**