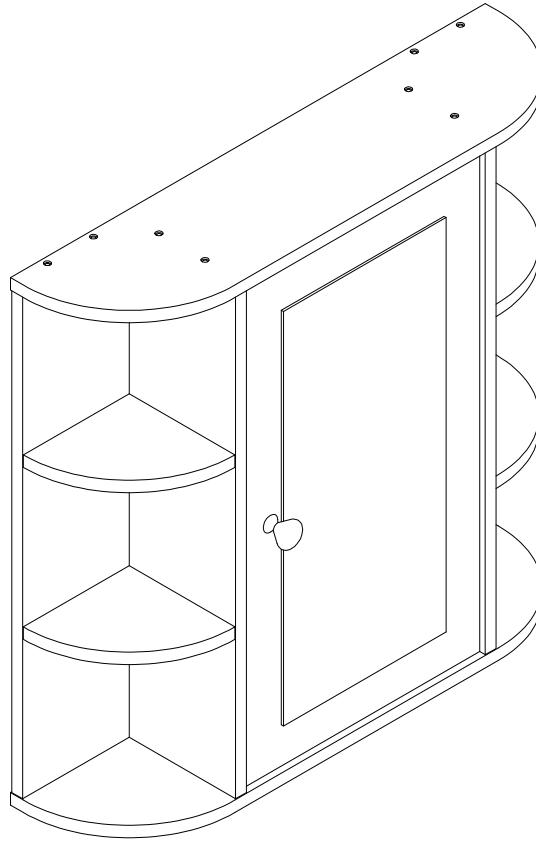
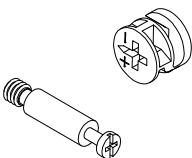


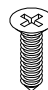
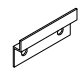
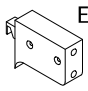



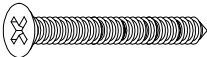
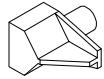


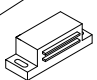
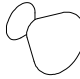





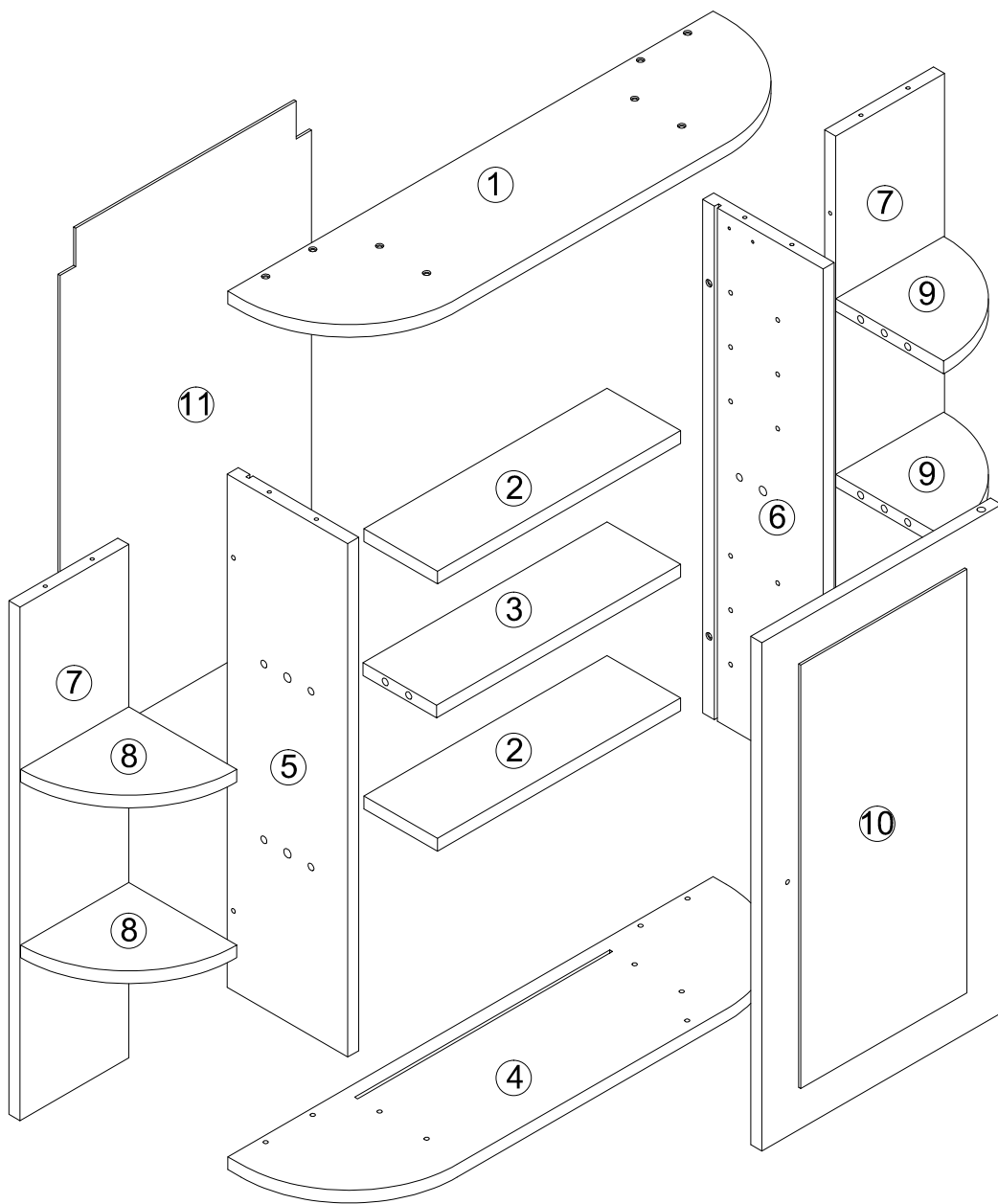
Bathroom Wall Cabinet Organizer with Mirror

SKU: QI003745

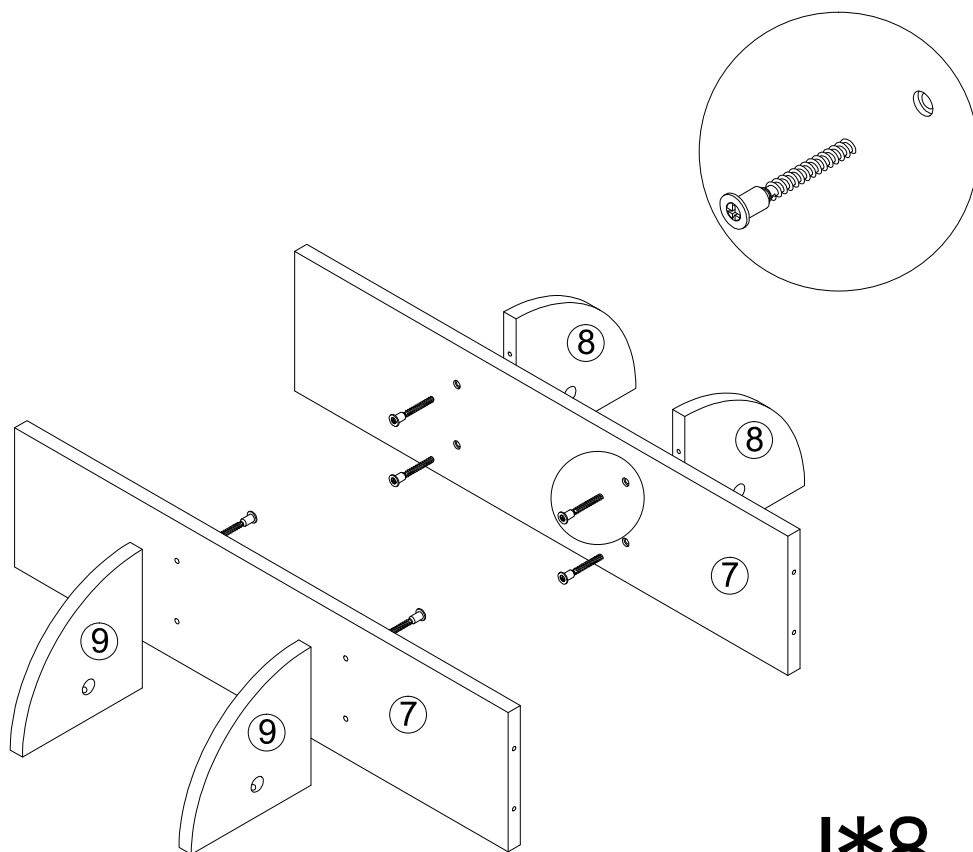
Assembly Instructions



	 Ø8*40		 Ø3.5*14	 E1  E2
A*6	B*10	C*2	D*6	E*2
 Ø8*60  Ø6*60		 Ø4*30		 Ø5*40
F*4	G*6	H*4	I*8	J*28
 K1  K2		 Ø3*14	 Ø15	 Ø20
K*1	L*1	M*4	N*28	O*6

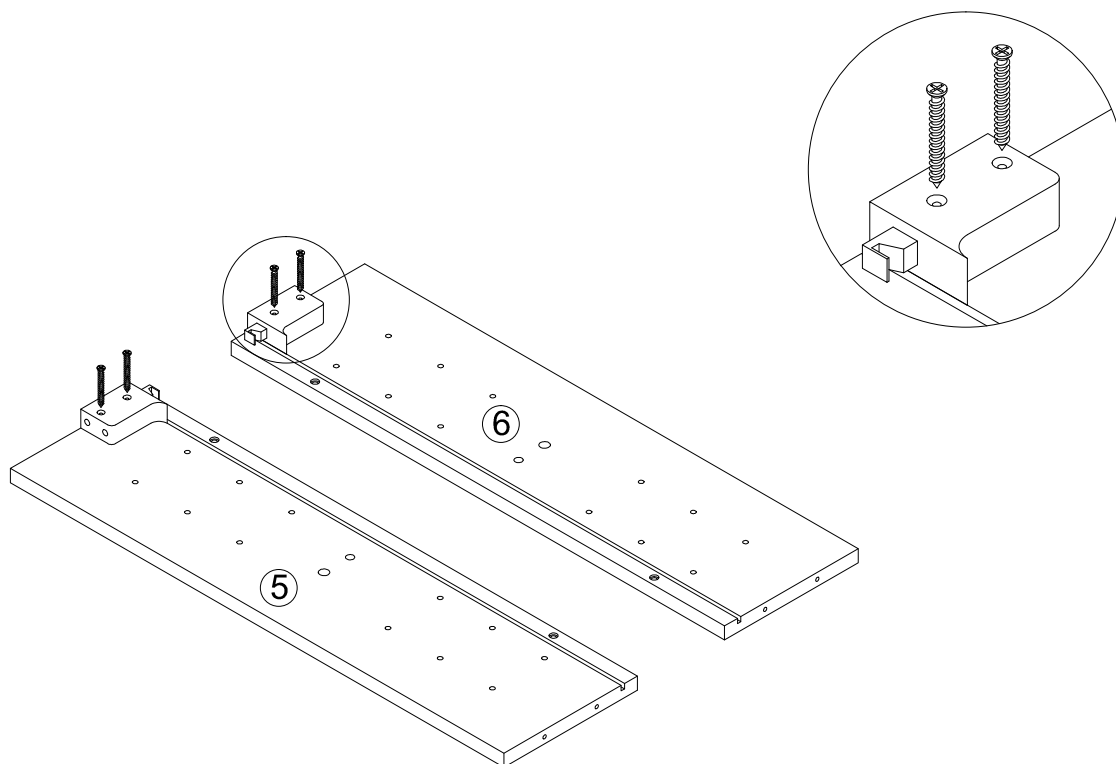


1



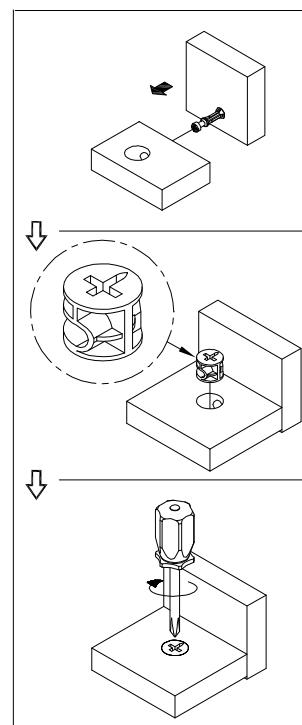
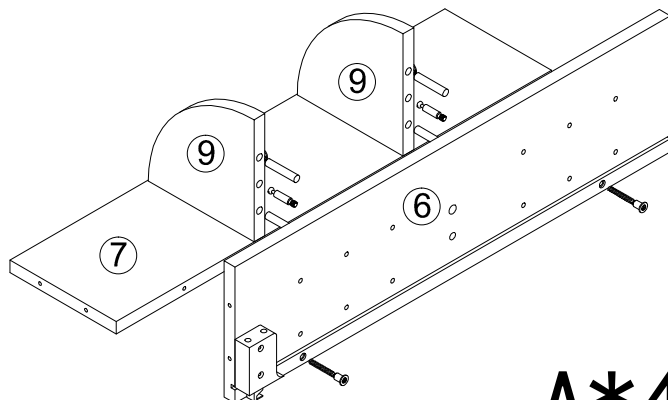
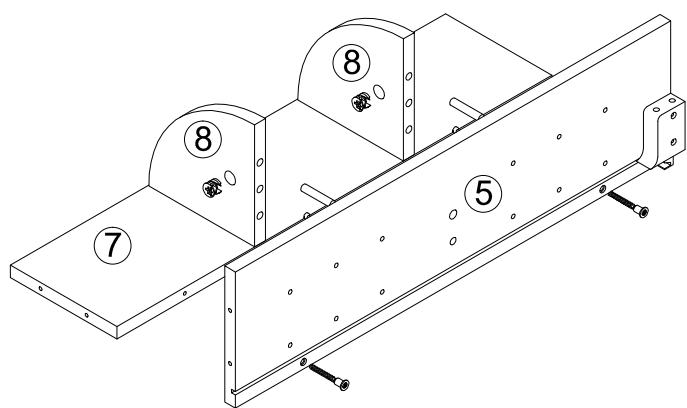
J*8

2



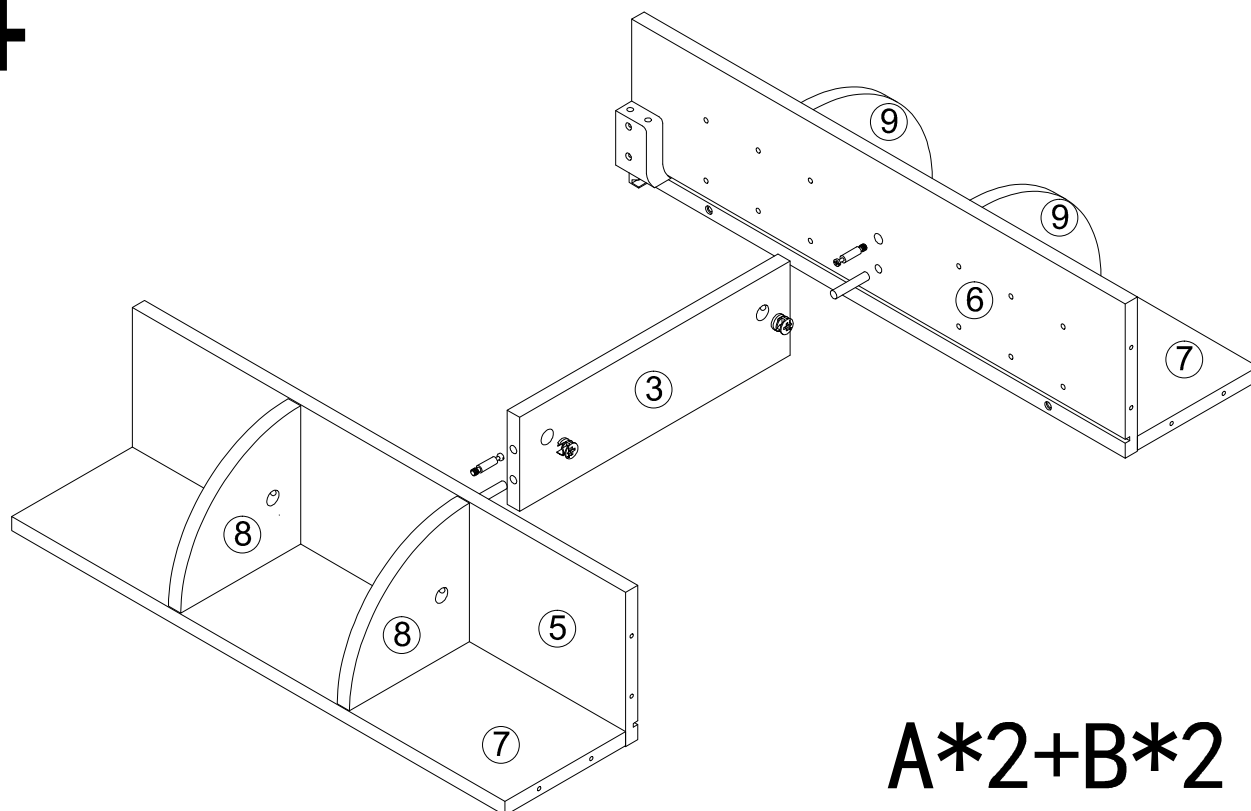
E2*2+H*4

3



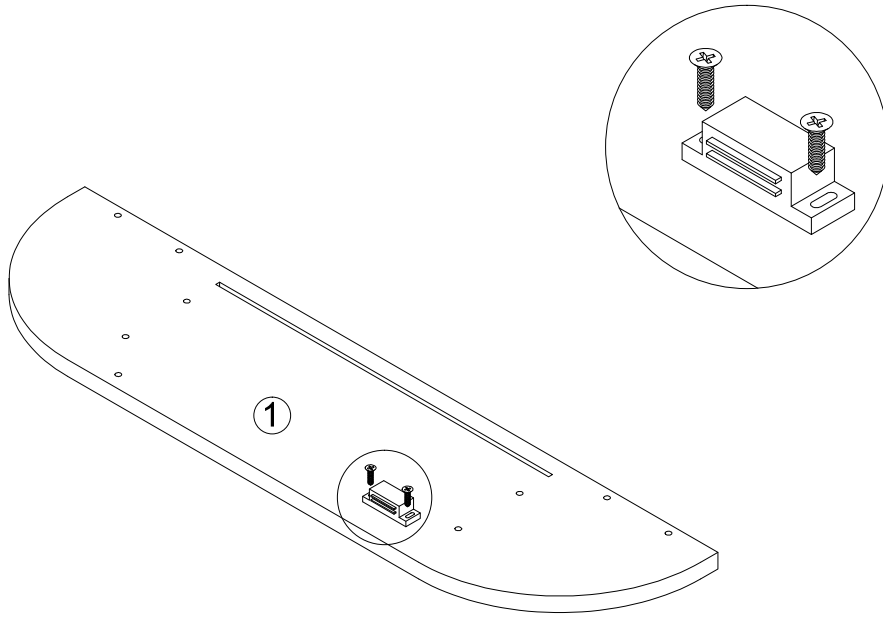
A*4+B*8+J*4

4



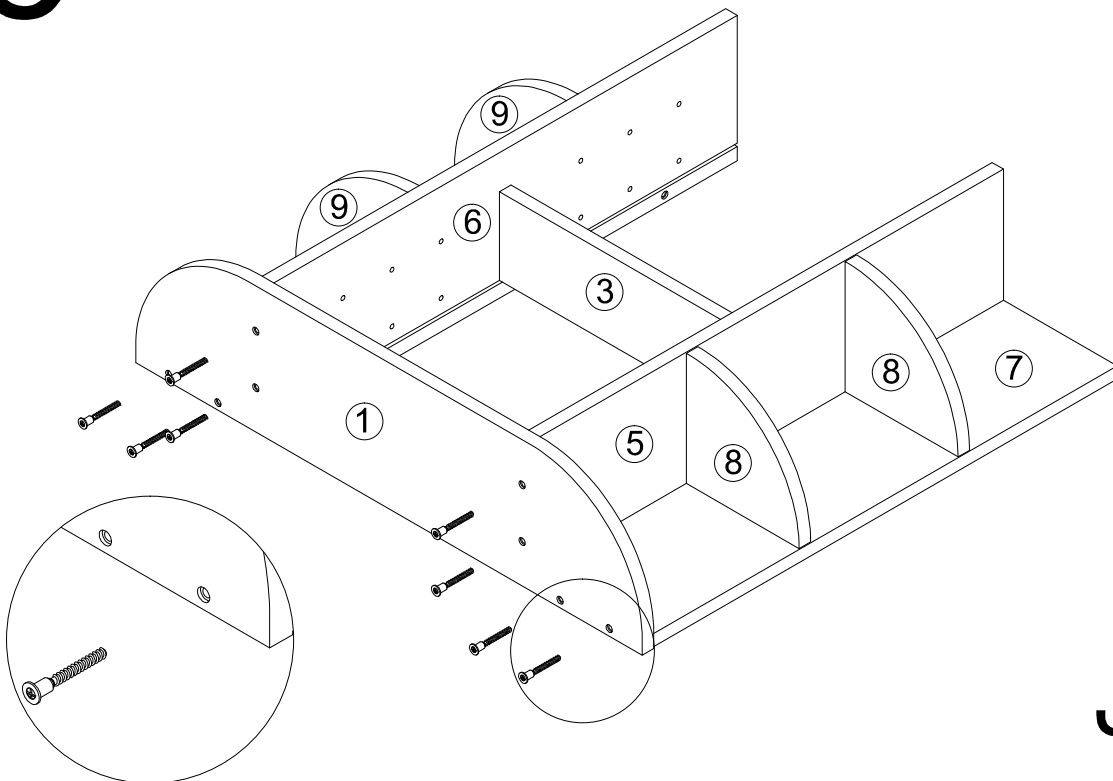
A*2+B*2

5



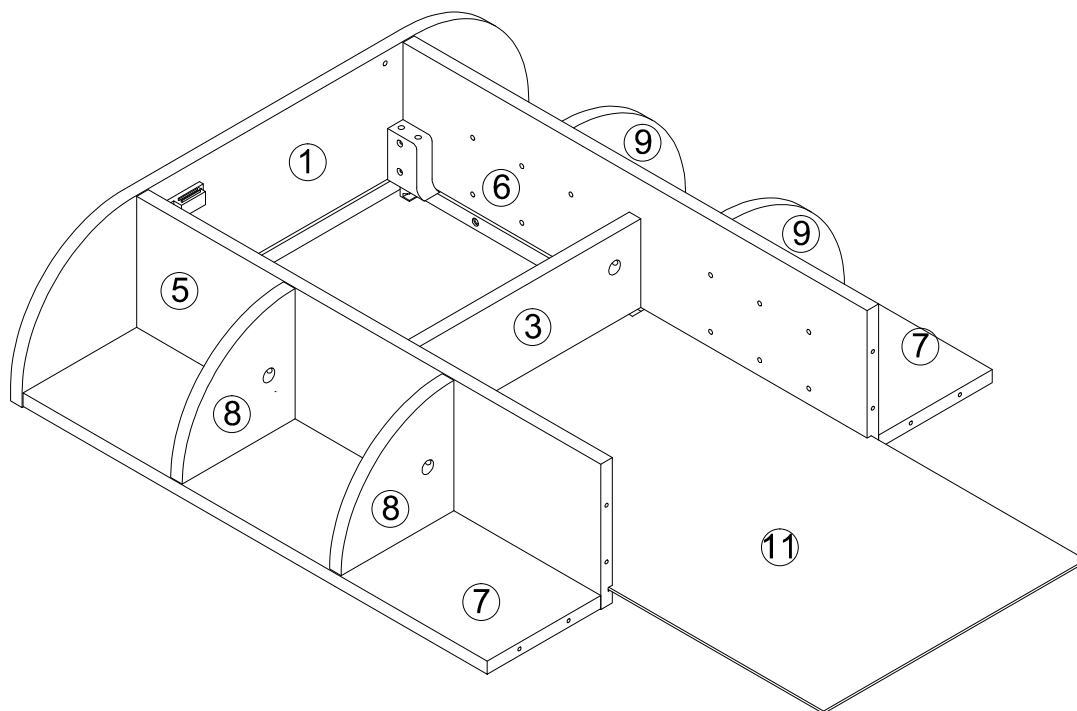
K2*1+M*2

6

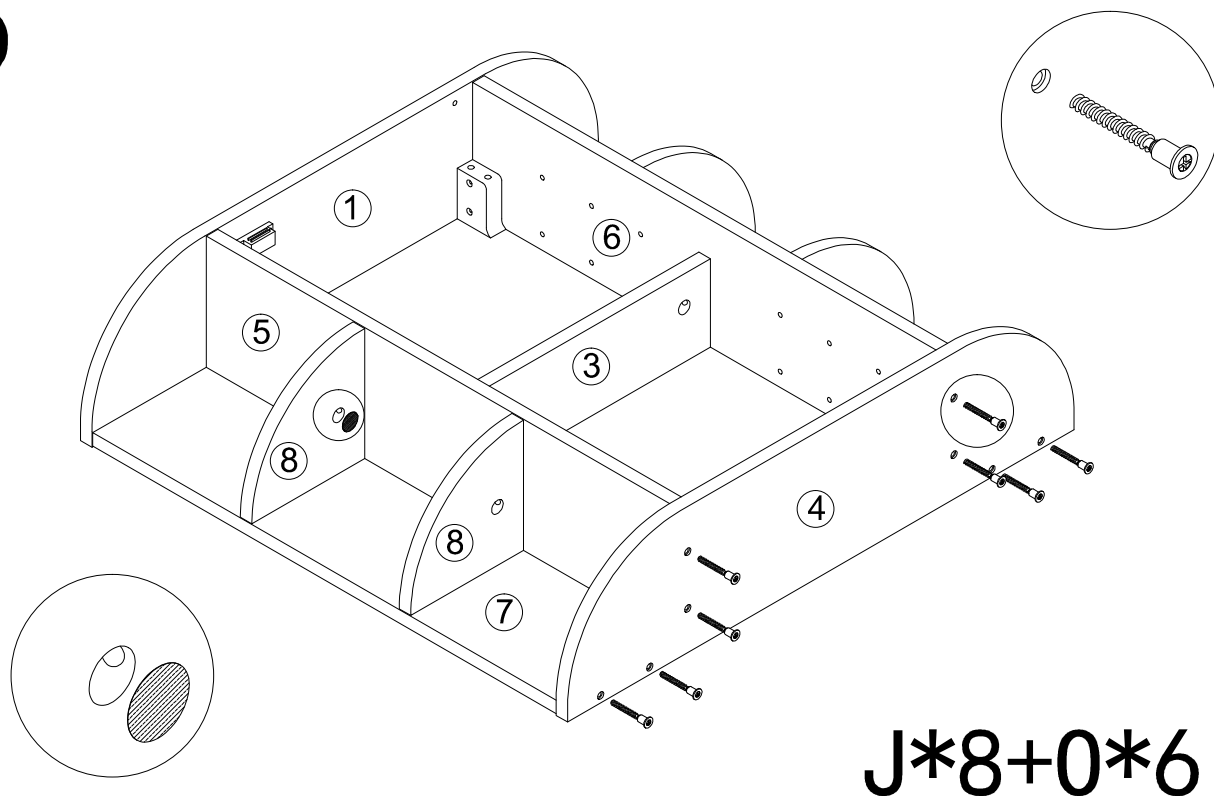


J*8

7

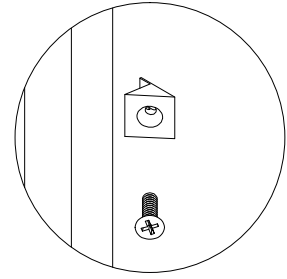
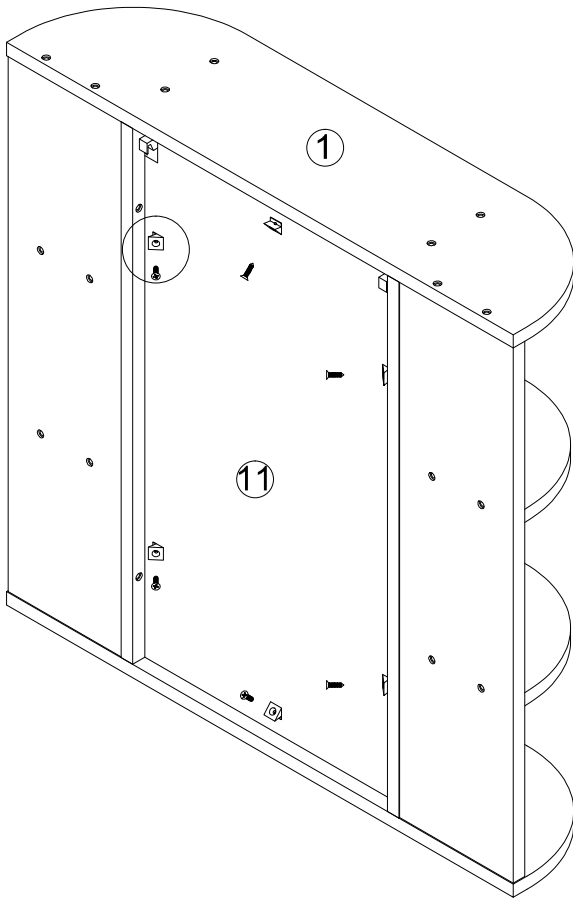


8



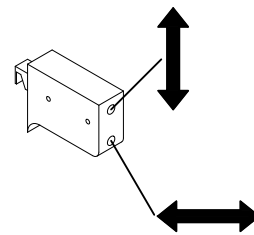
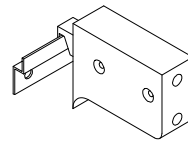
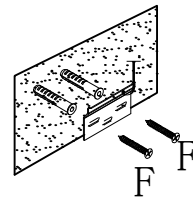
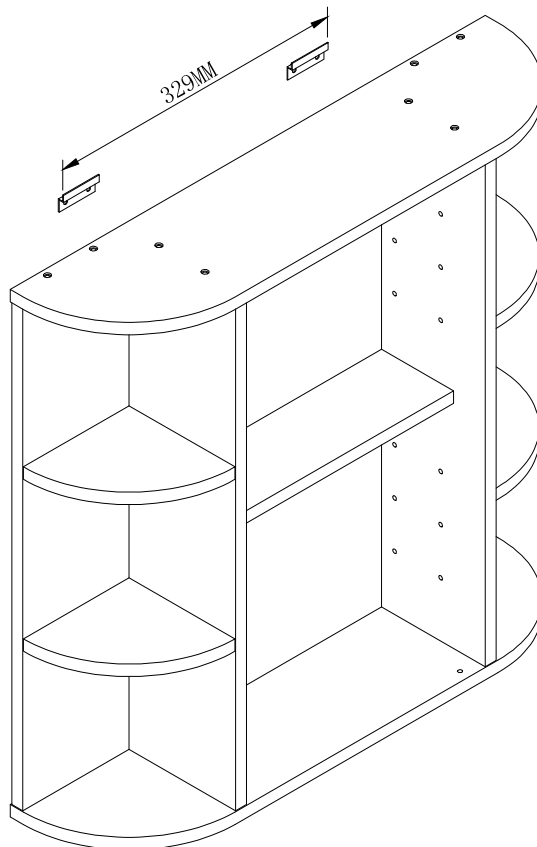
J*8+0*6

9



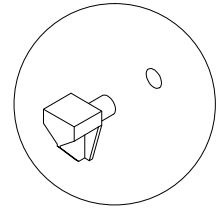
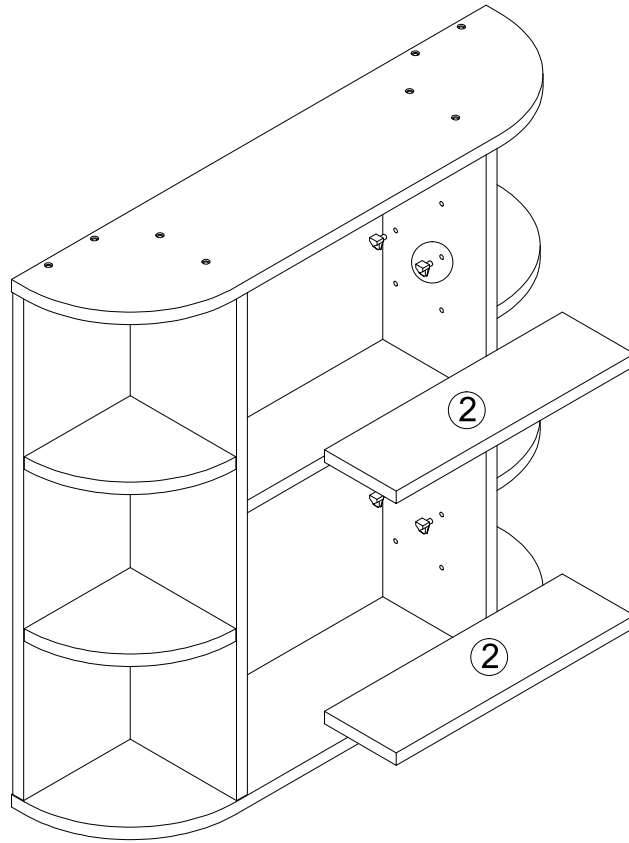
D*6+G*6

10



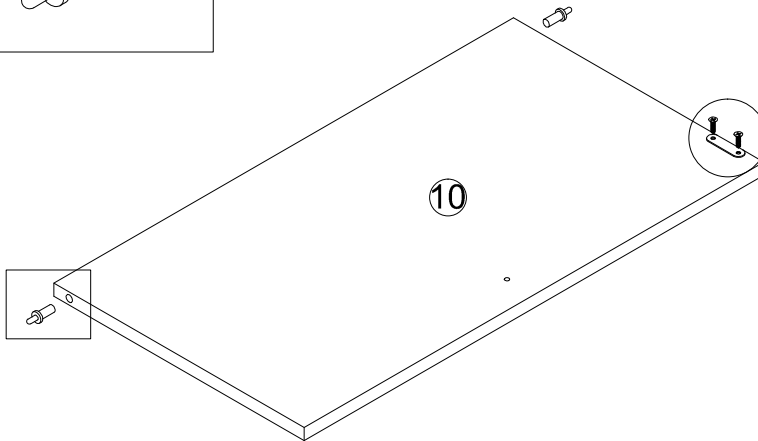
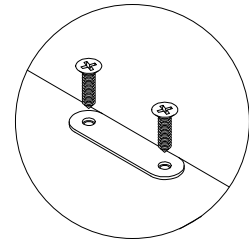
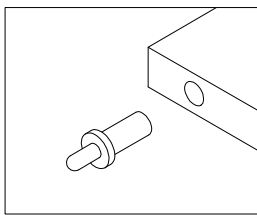
E1*2+F*4

11



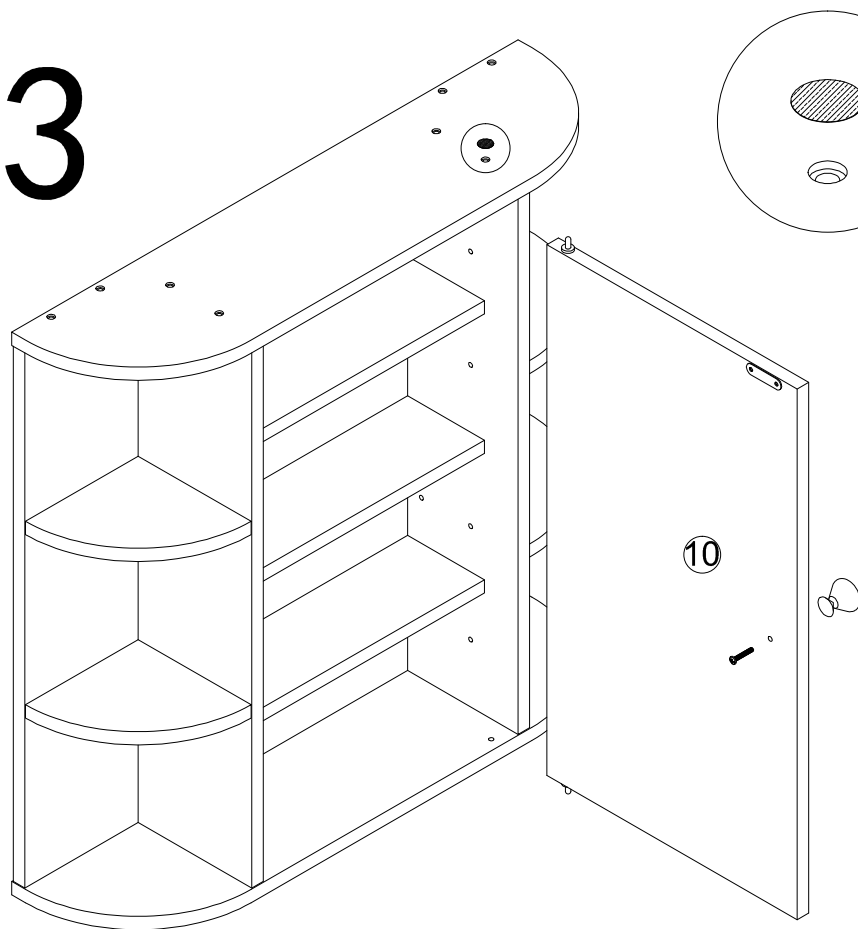
1*8

12



C*2+K1*1+M*2

13



$L*1+N*28$

14

