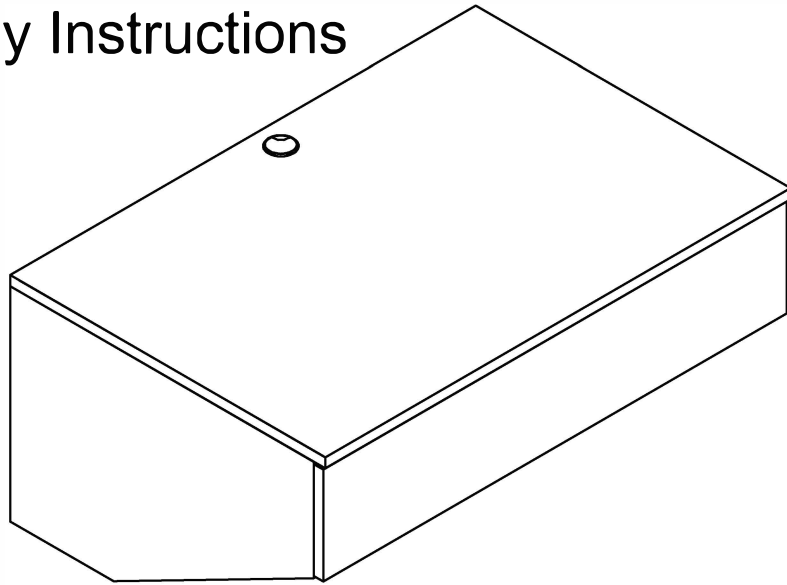




Wall Mounted Desk with Drawer

SKU: QI003092

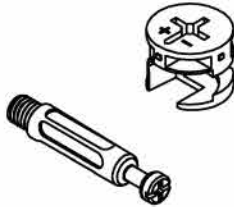
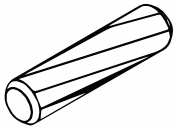
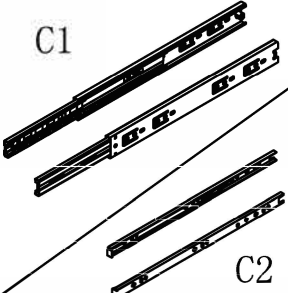





Assembly Instructions

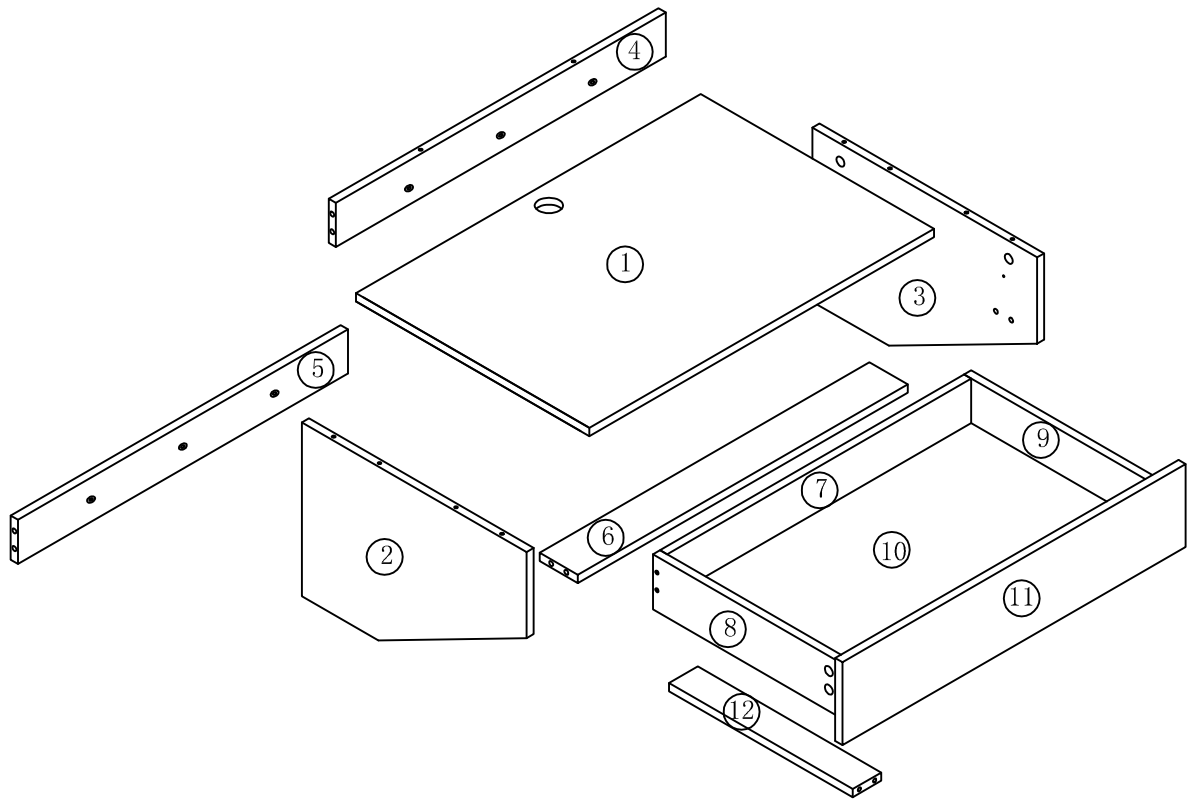


By:  **Quickway**
Imports inc.

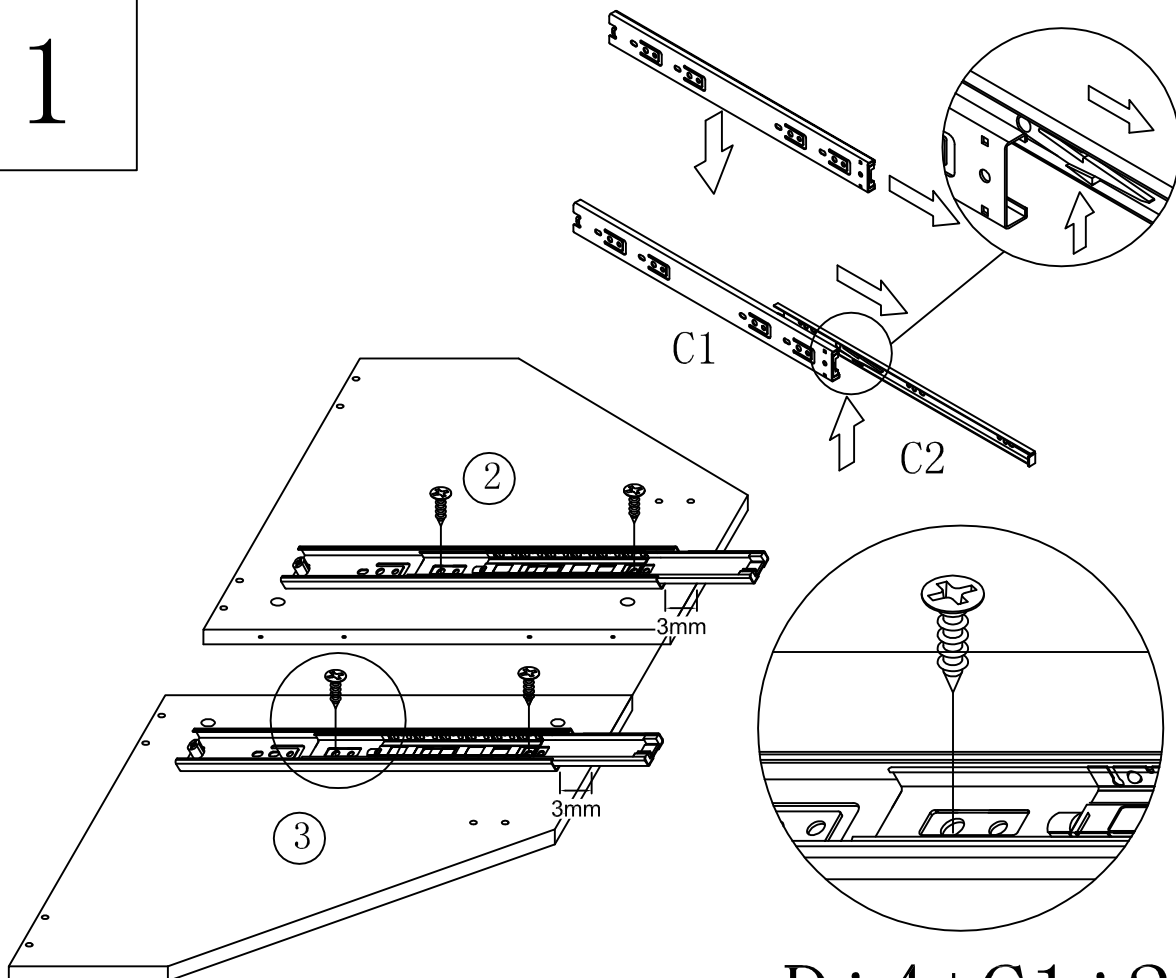
www.quickwayimports.com

info@quickwayimports.com

	 $\phi 8*40$	 C1 C2	 $\phi 3.5*14$
$A \times 22$	$B * 8$	$C \times 1$	$D \times 8$
 $\phi 3.5*35$			 $\phi 20$
$E \times 4$	$F \times 1$	$G \times 6$	$H \times 28$

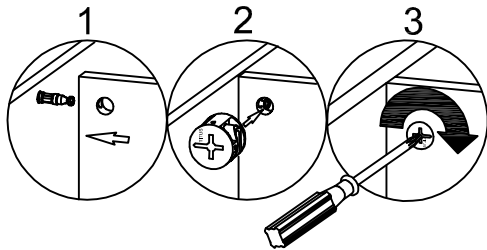
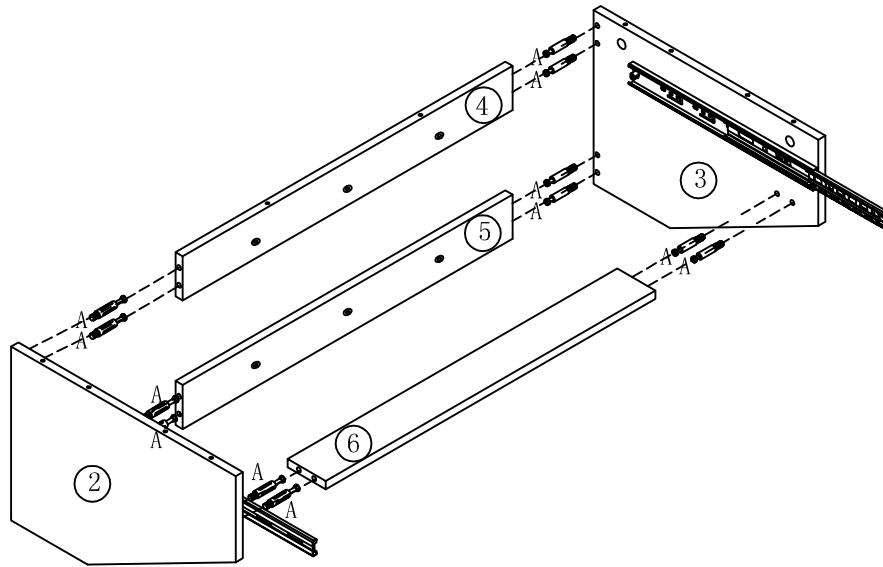


1



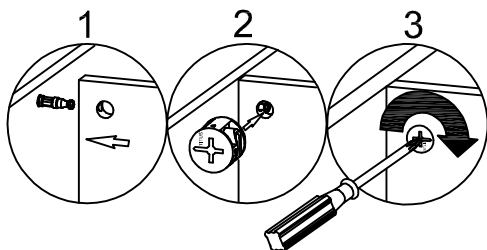
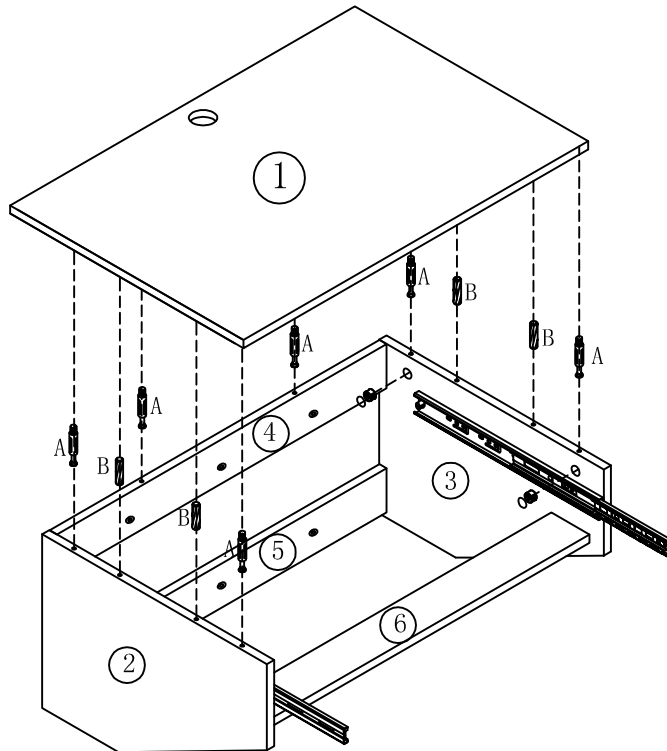
$D*4+C1*2$

2



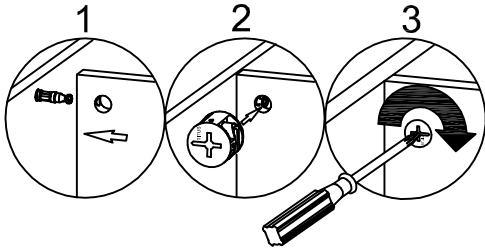
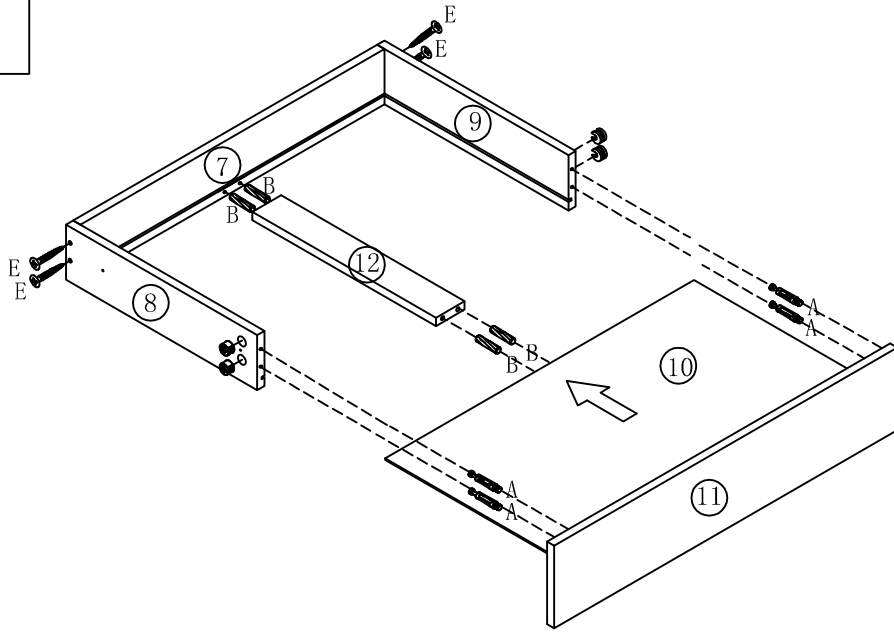
A*12

3



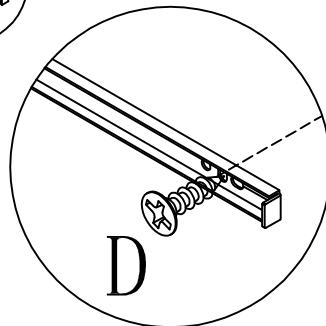
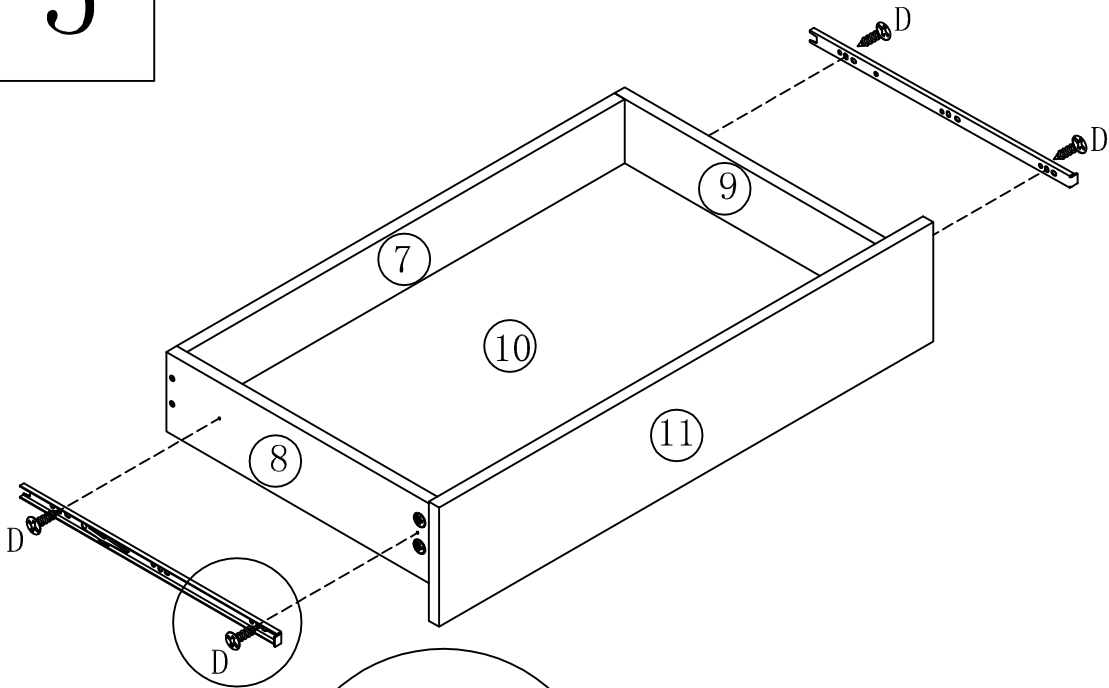
A*6+B*4

4



$$A*4+B*4+E*4$$

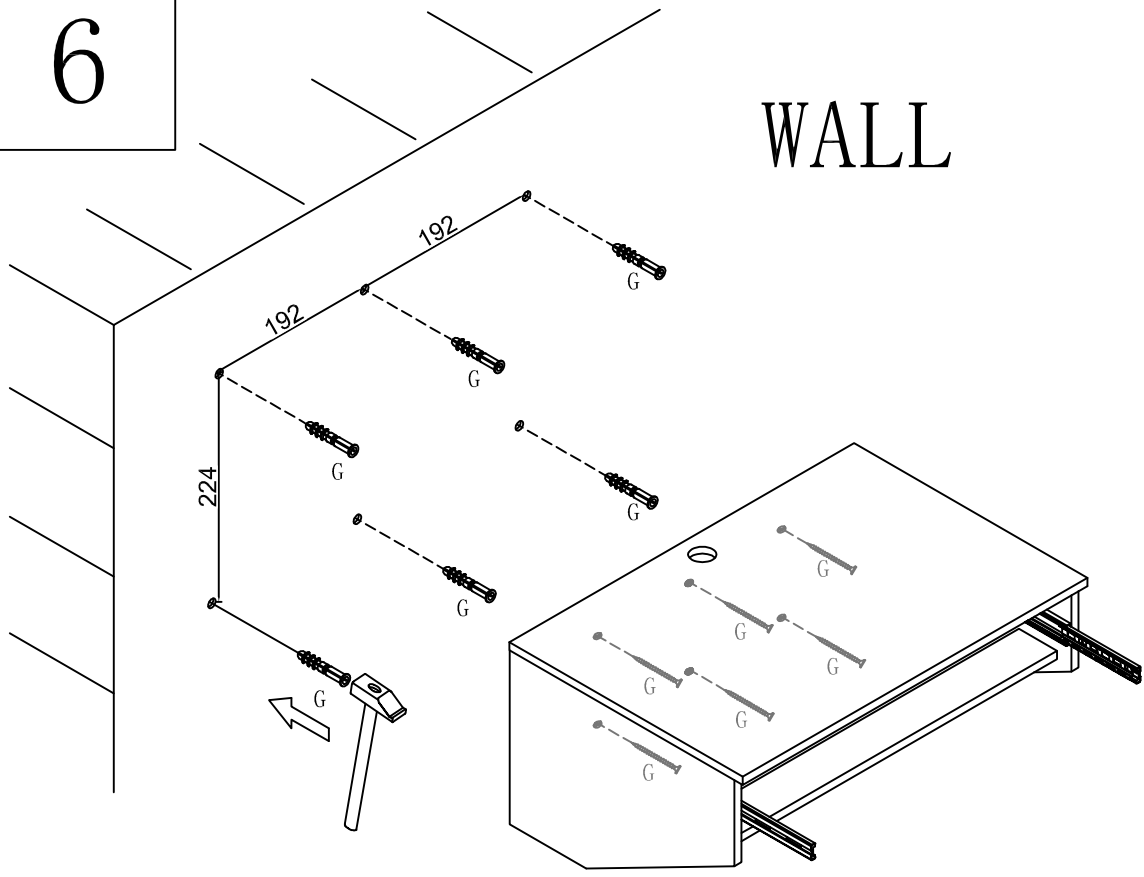
5



$$C2*2+D*4$$

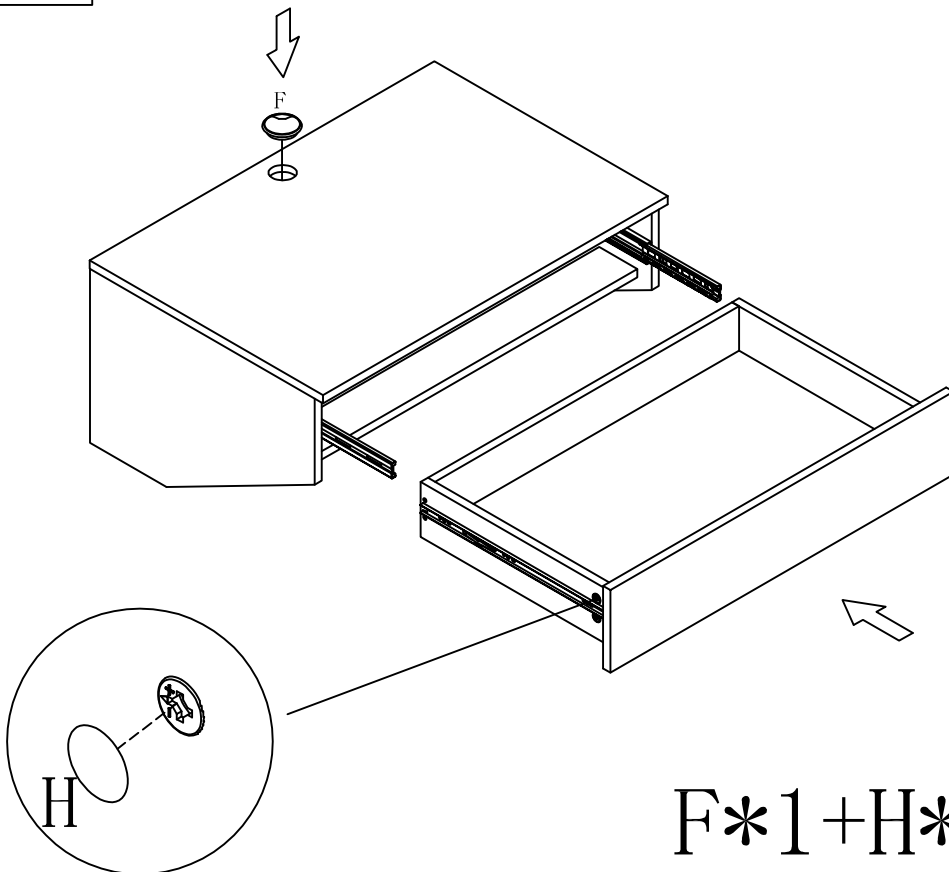
6

WALL



G*6

7



F*1+H*28