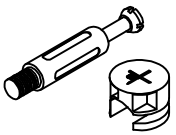
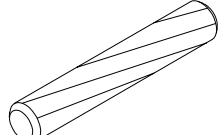
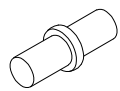
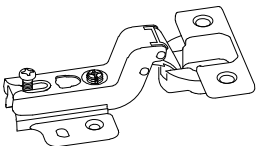
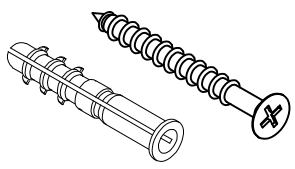


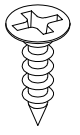
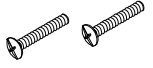
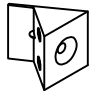
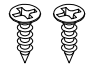
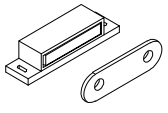
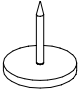

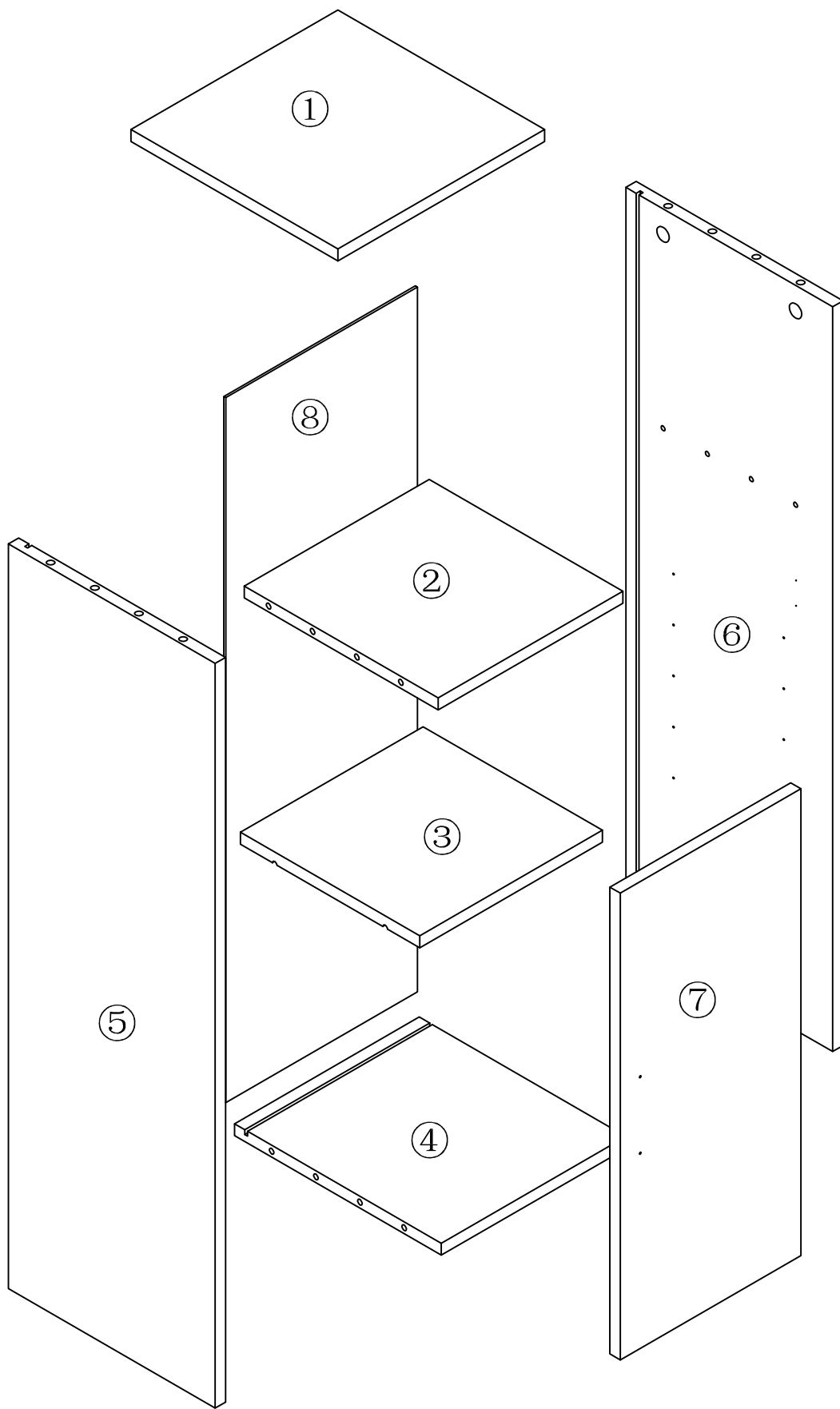


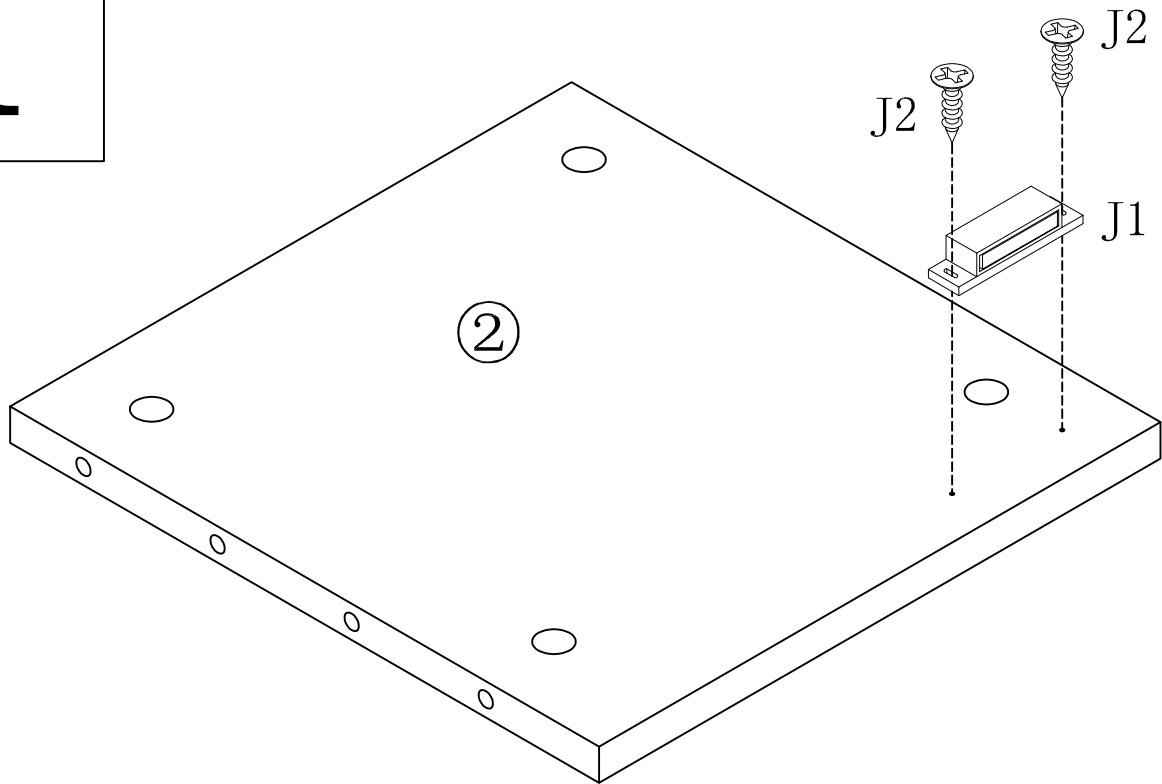
## Assembly Instructions

### QI004016

	 $\Phi 8*40$		
$A \times 12$	$B \times 12$	$C \times 4$	$D \times 2$
 $\Phi 6*30$		 $G1$	 $\Phi 3.5*14$
$E \times 1$	$F \times 1$	 $\Phi 4*18$ $G2$	$H \times 15$
 $I1$	 $\Phi 3*14$  $J1$	 $K \times 4$	 $\Phi 20$
$I \times 6$	$J \times 1$	$K \times 4$	$L \times 12$

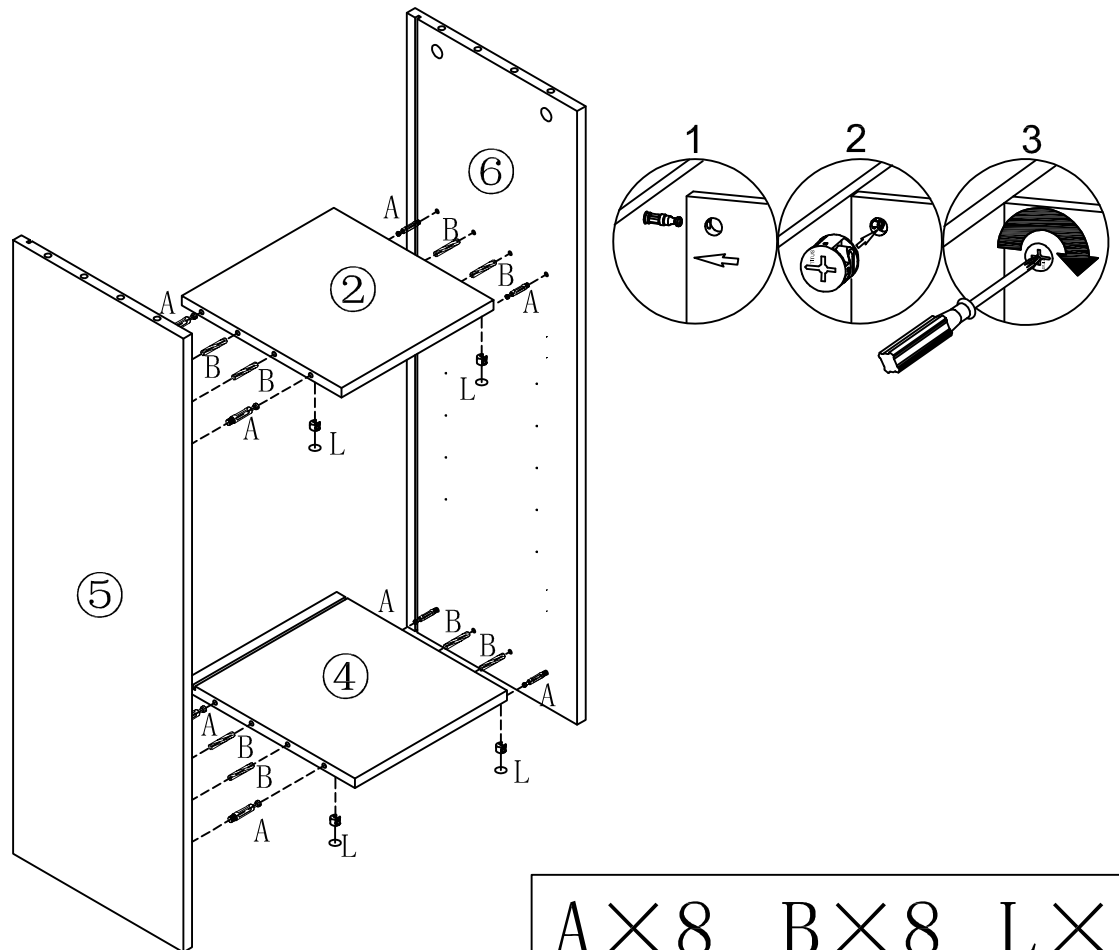


# 1



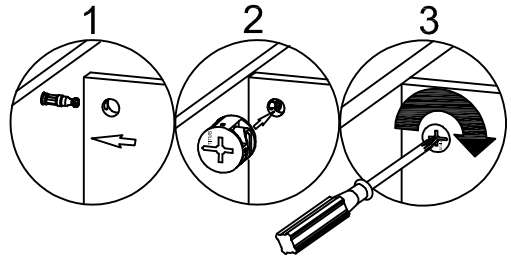
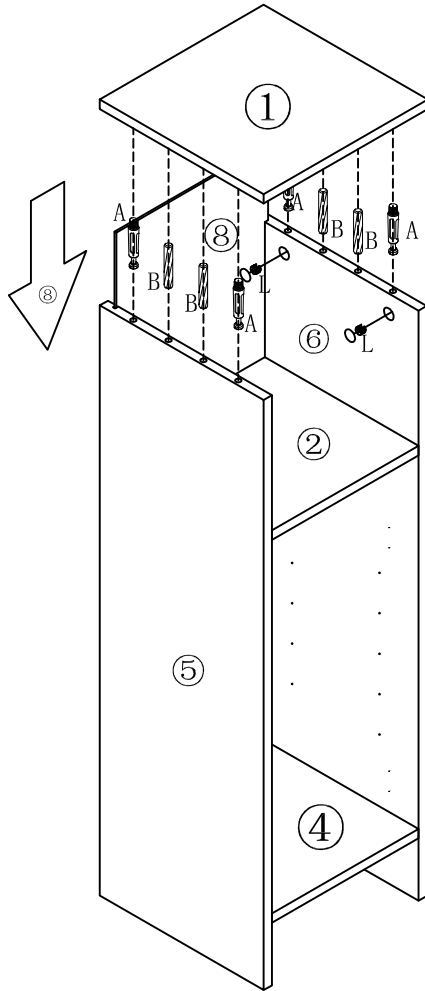
J1 × 1 J2 × 2

# 2



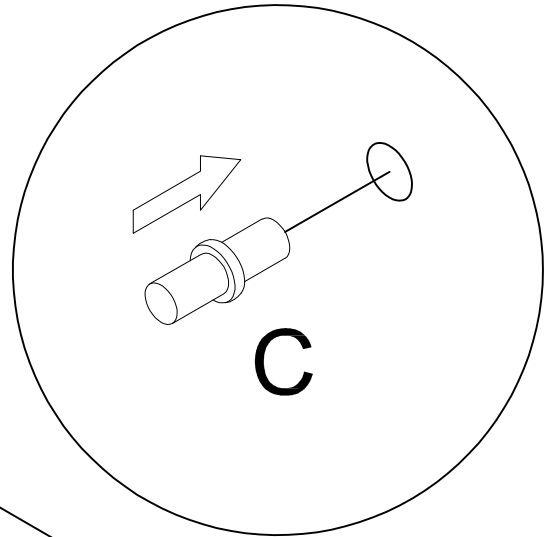
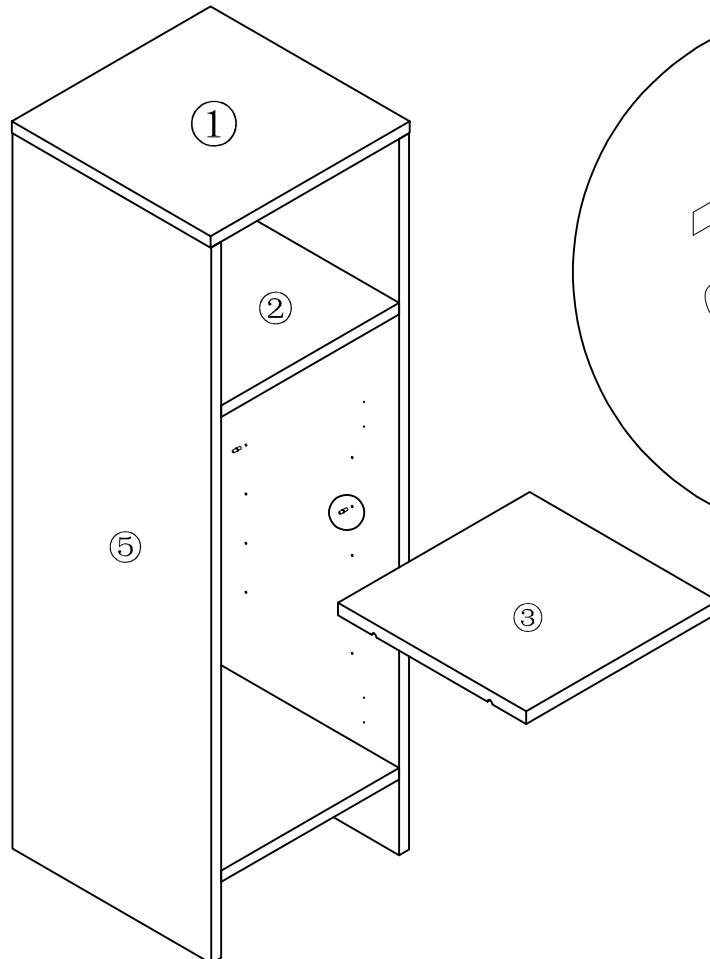
A × 8 B × 8 L × 8

# 3



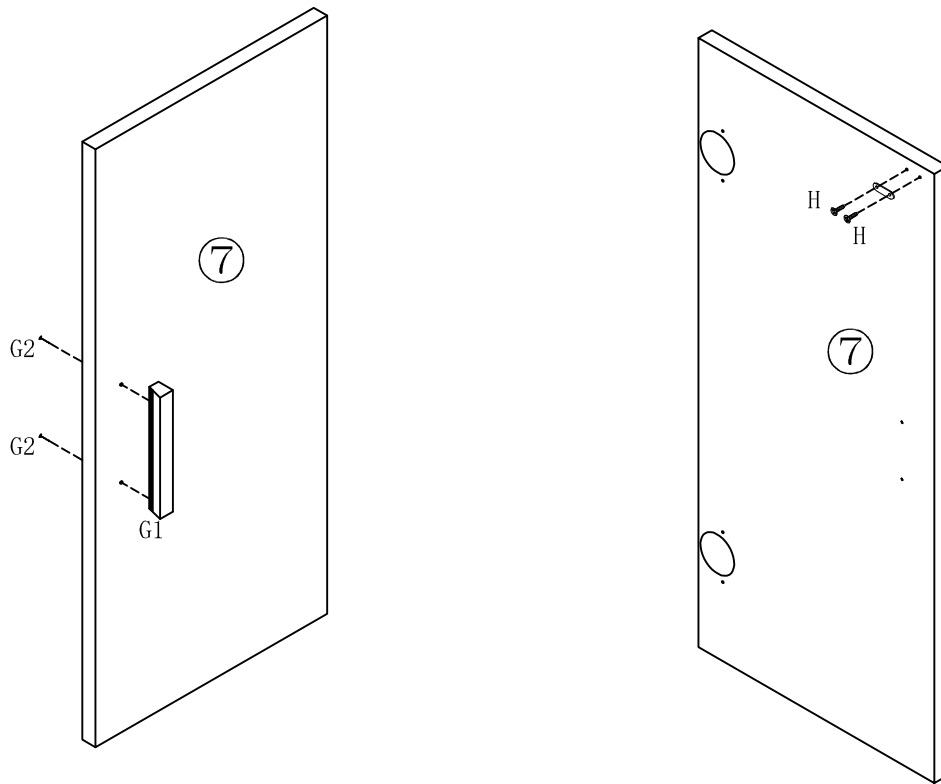
$A \times 4$   $B \times 4$   $L \times 4$

# 4



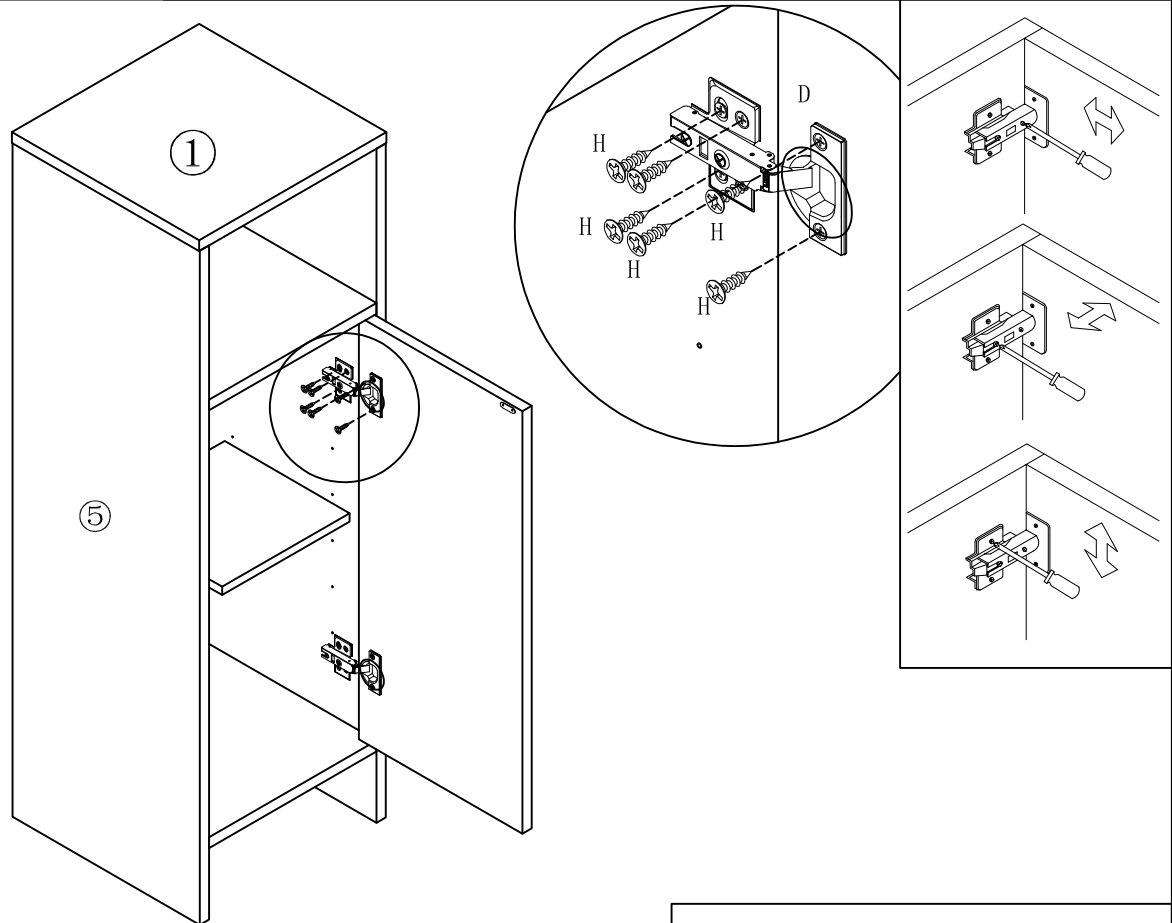
$C \times 4$

5



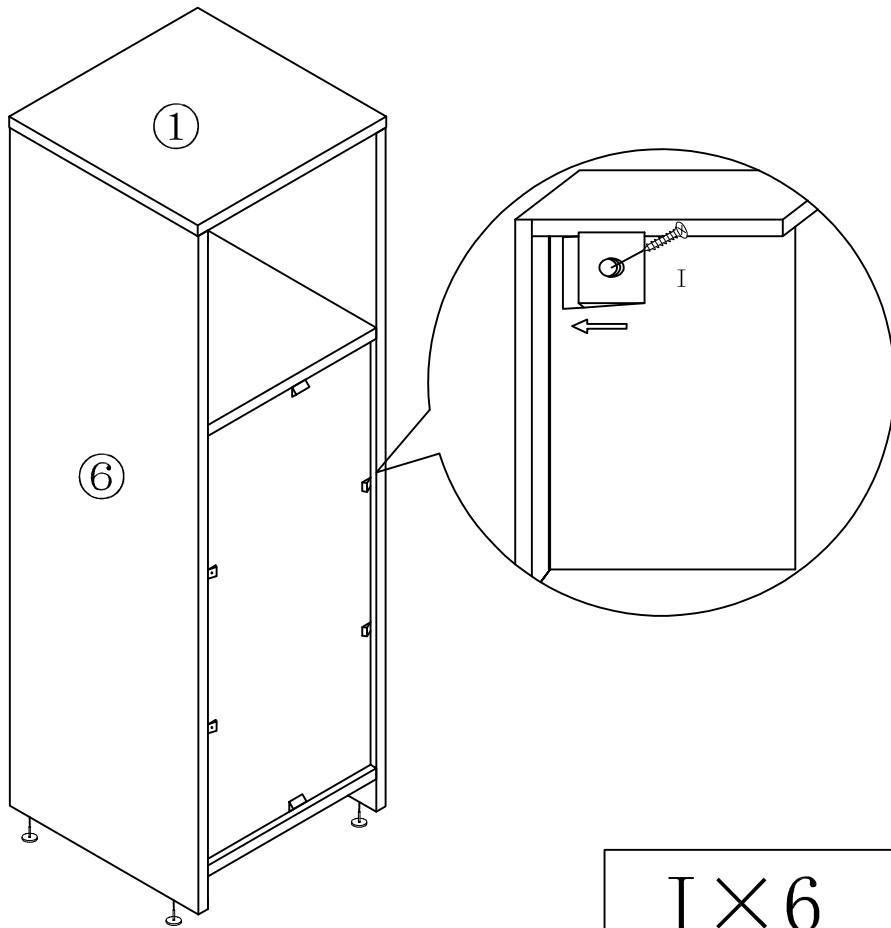
$J1 \times 1$   $H \times 2$   $G1 \times 1$   $G2 \times 2$

6



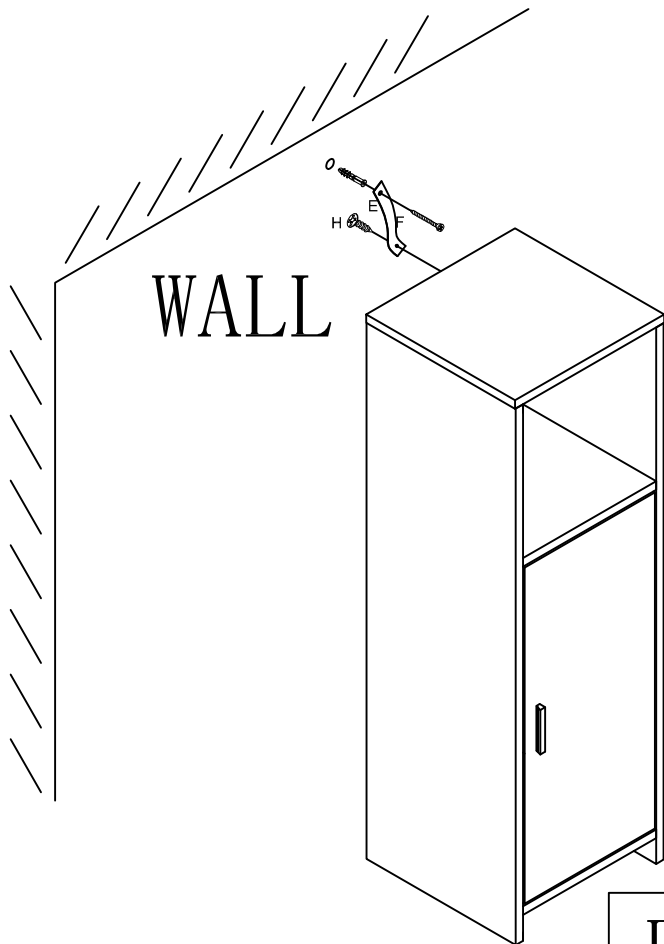
$D \times 2$   $H \times 12$

7



I × 6 K × 4

8



E × 1 F × 1 H × 1