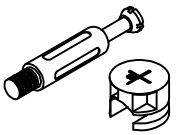
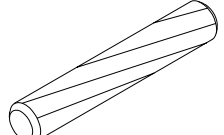
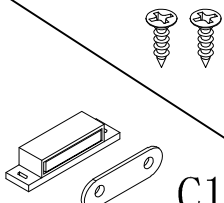
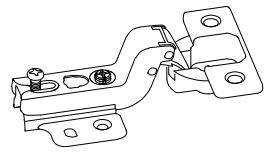
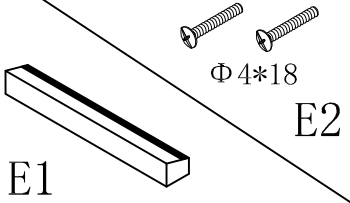




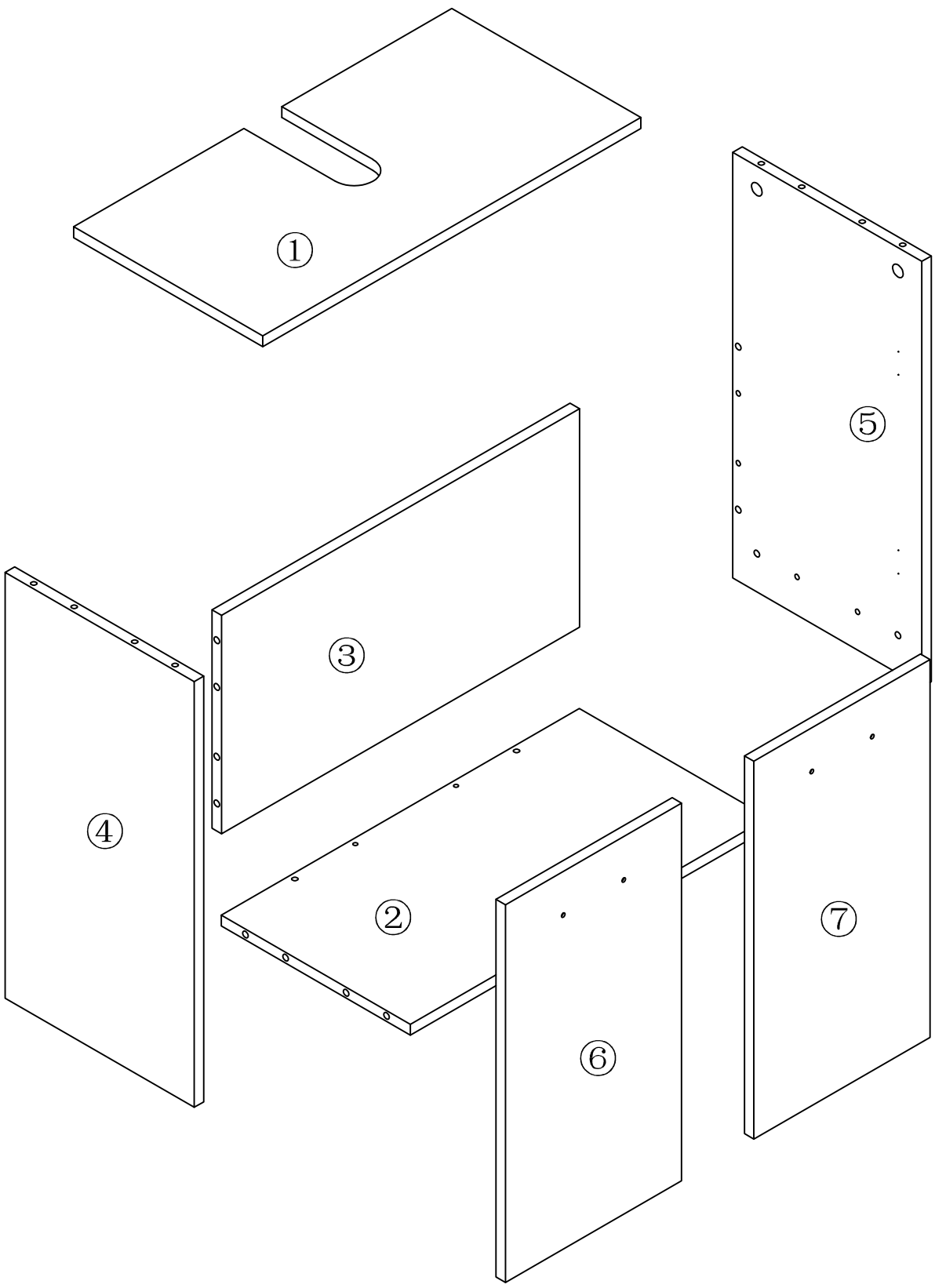
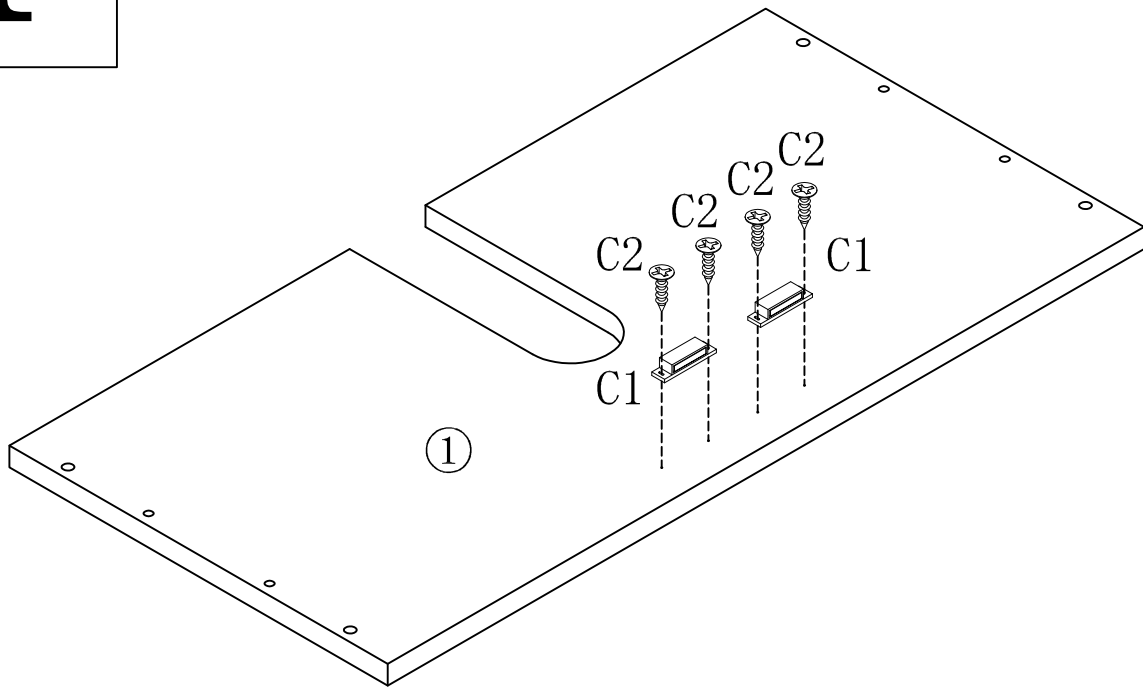


Assembly Instructions
QI004017

	 $\Phi 8*40$	 $\Phi 3*14$ C2 C1	
$A \times 14$	$B \times 14$	$C \times 2$	$D \times 4$
 $\Phi 4*18$ E2 E1	 $\Phi 3.5*14$		
$E \times 2$	$F \times 28$	$G \times 4$	$H \times 1$
 $\Phi 20$			
$I \times 14$			

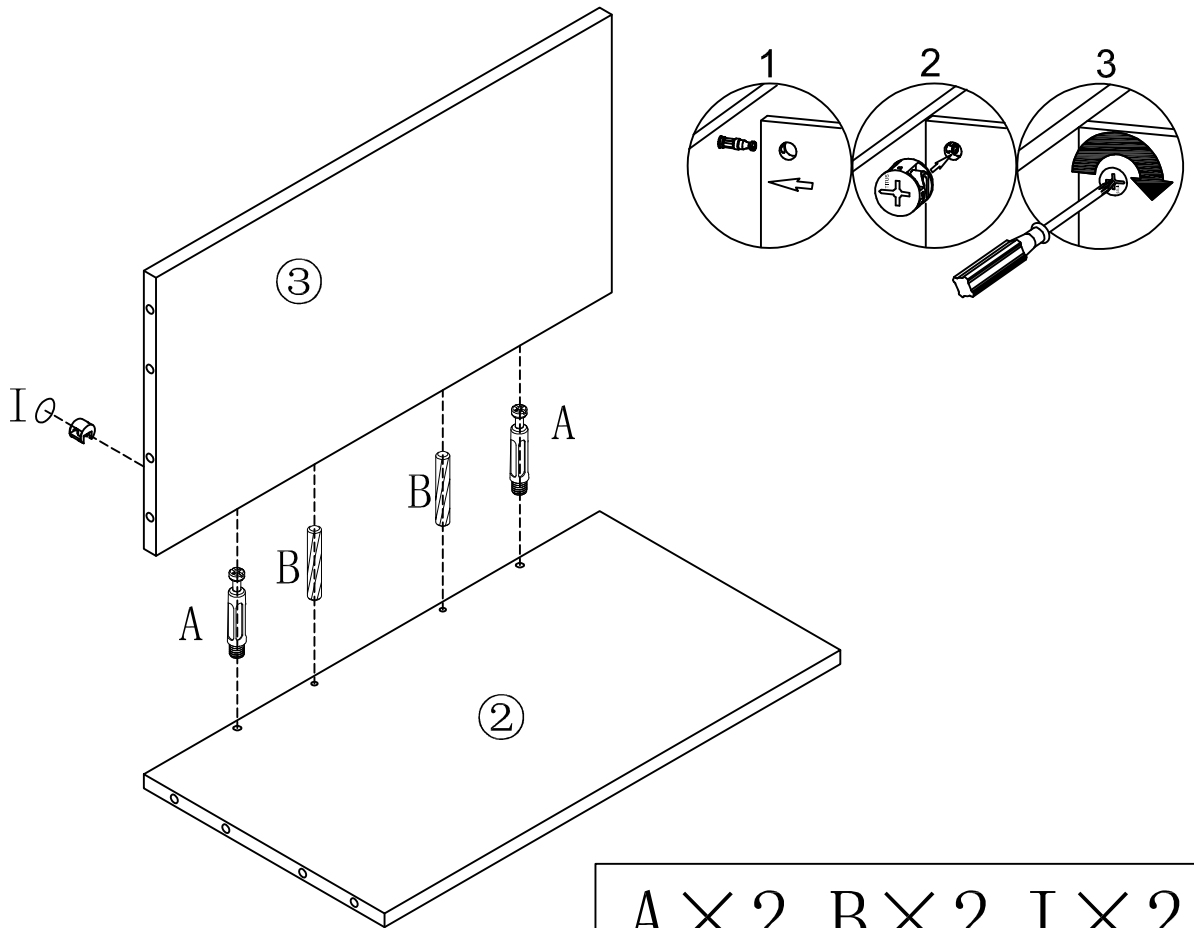


1



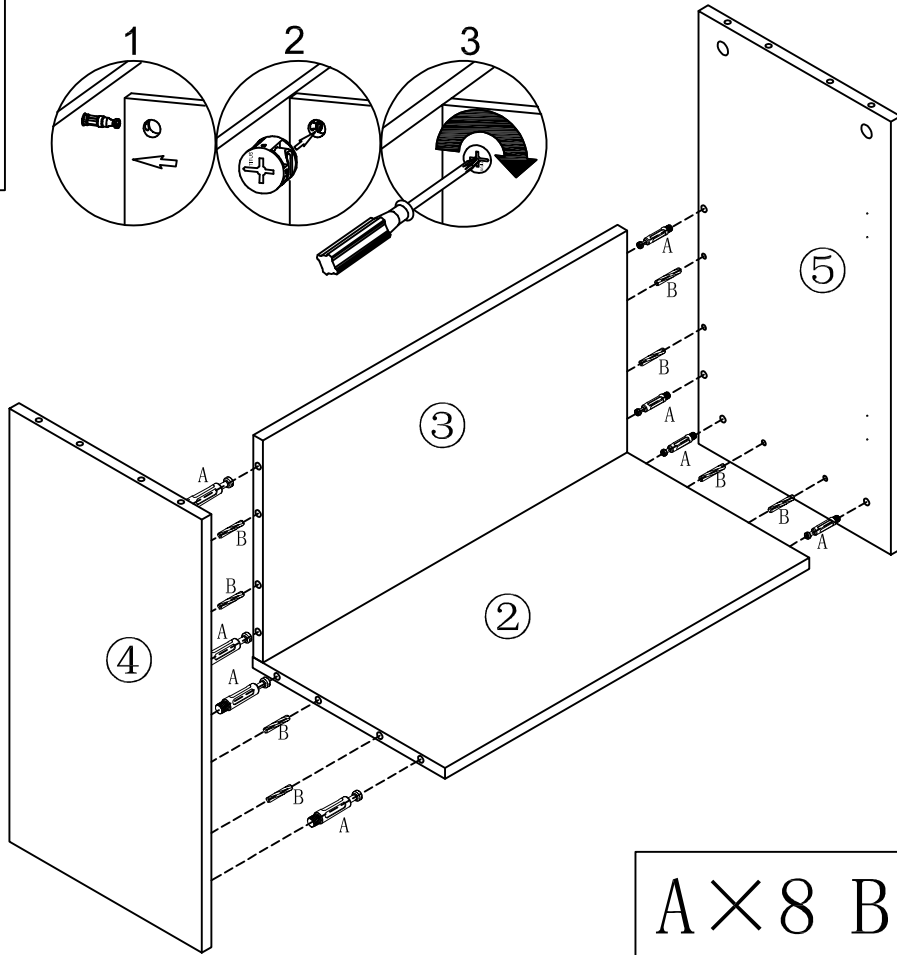
C1 × 2 C2 × 4

2



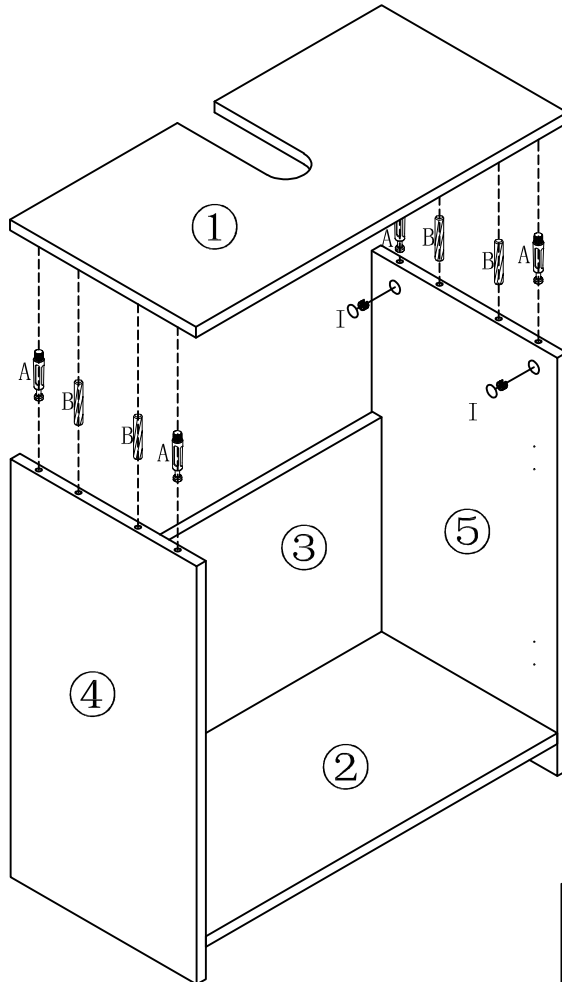
A × 2 B × 2 I × 2

3



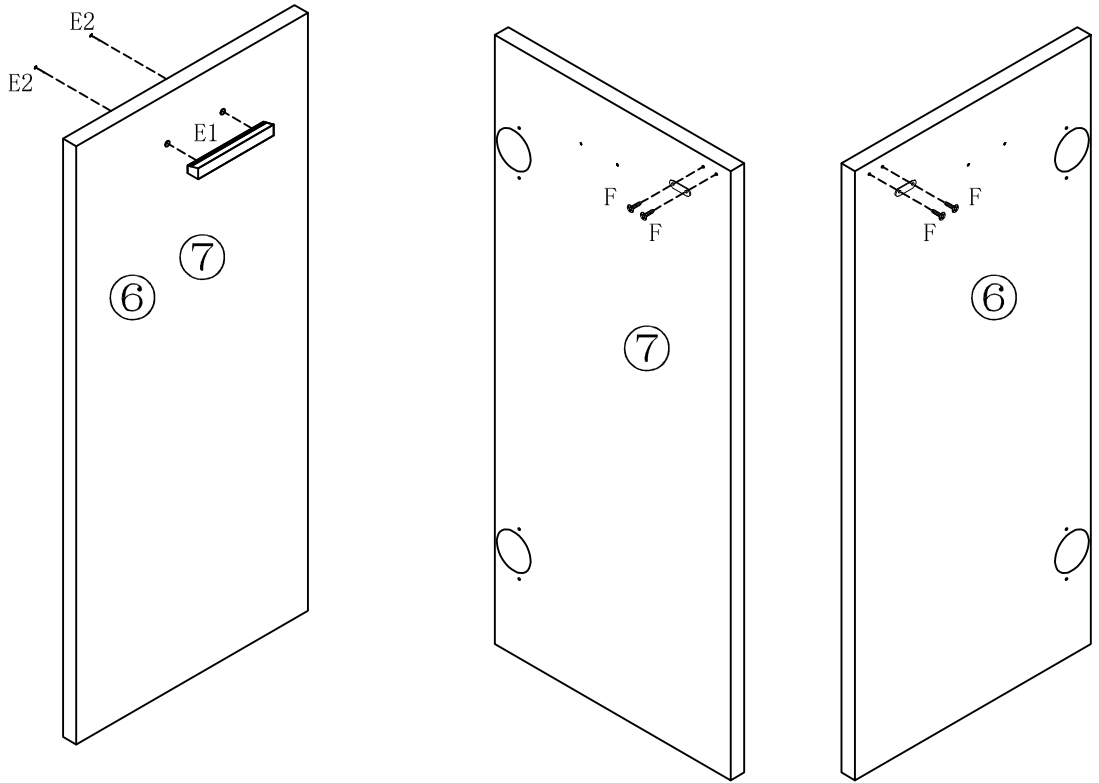
A × 8 B × 8 I × 8

4



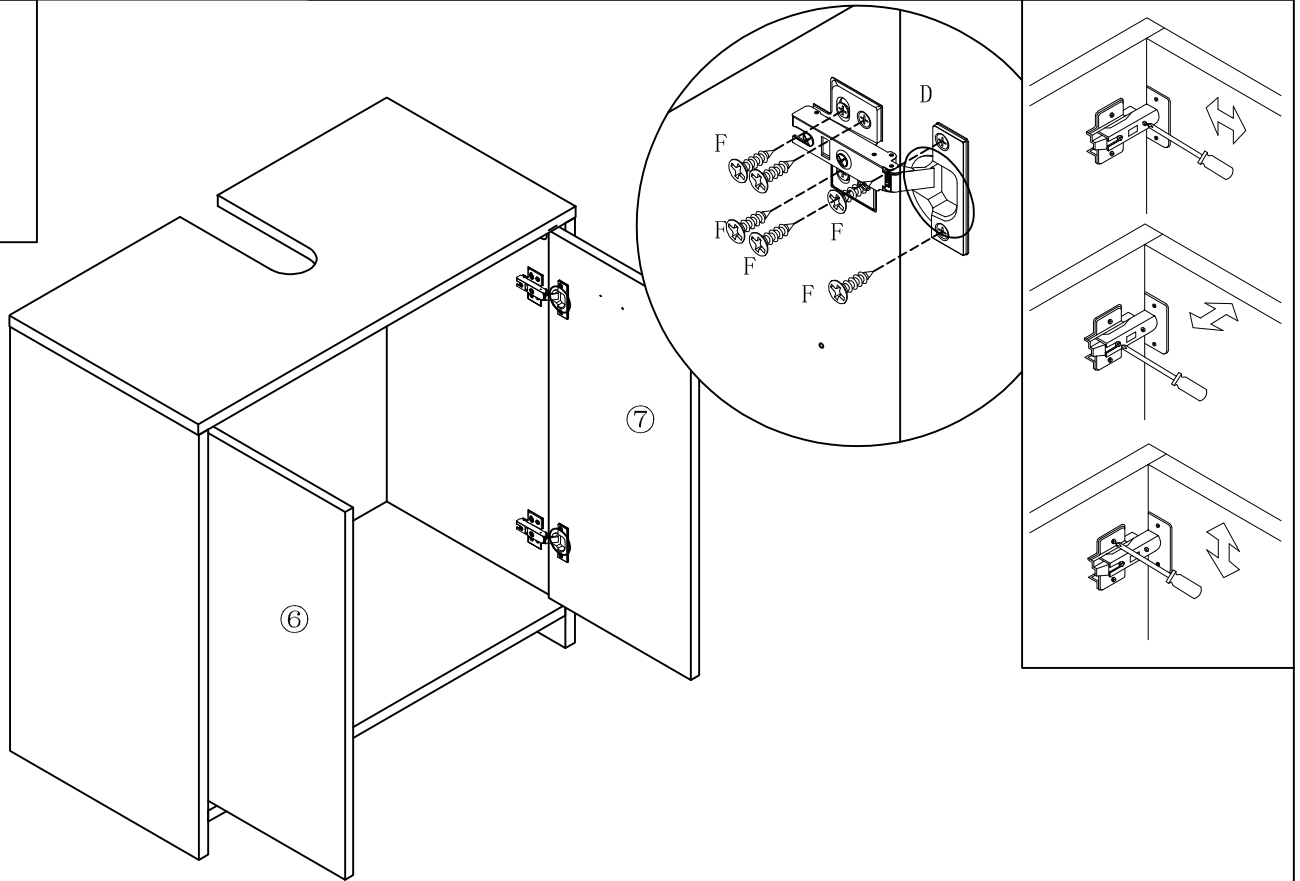
A × 4 B × 4 I × 4

5



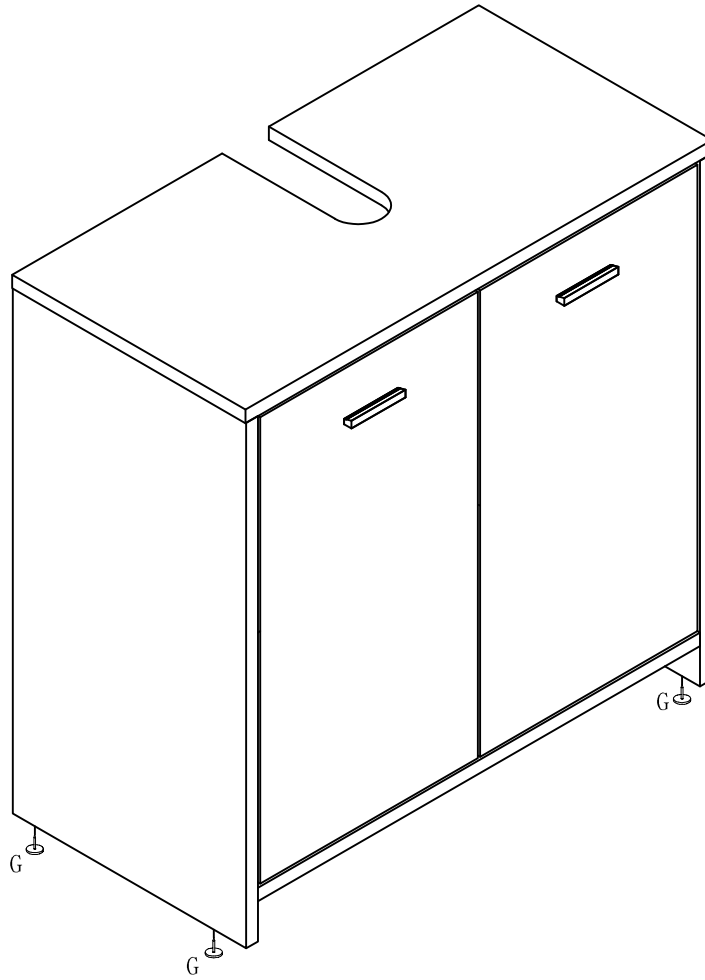
C1×2 E1×2 E2×4 F×4

6



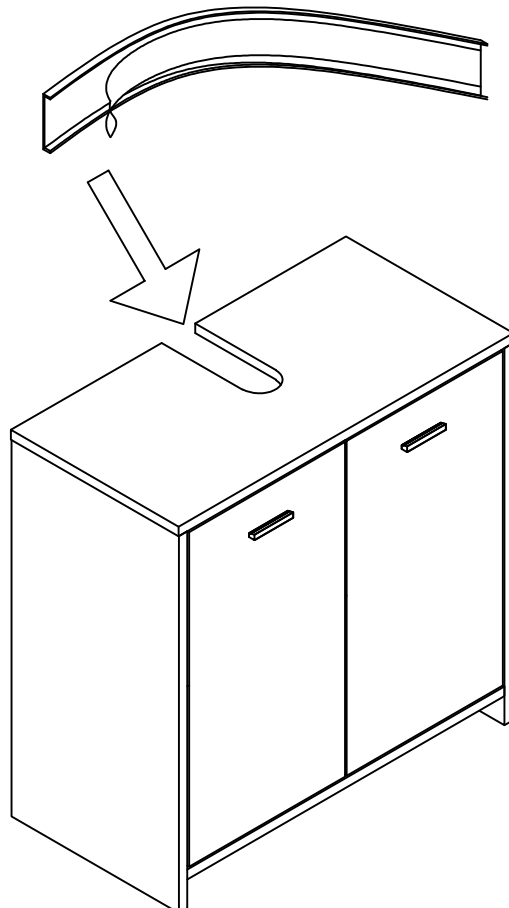
D×4 F×24

7



G × 4

8



H × 1