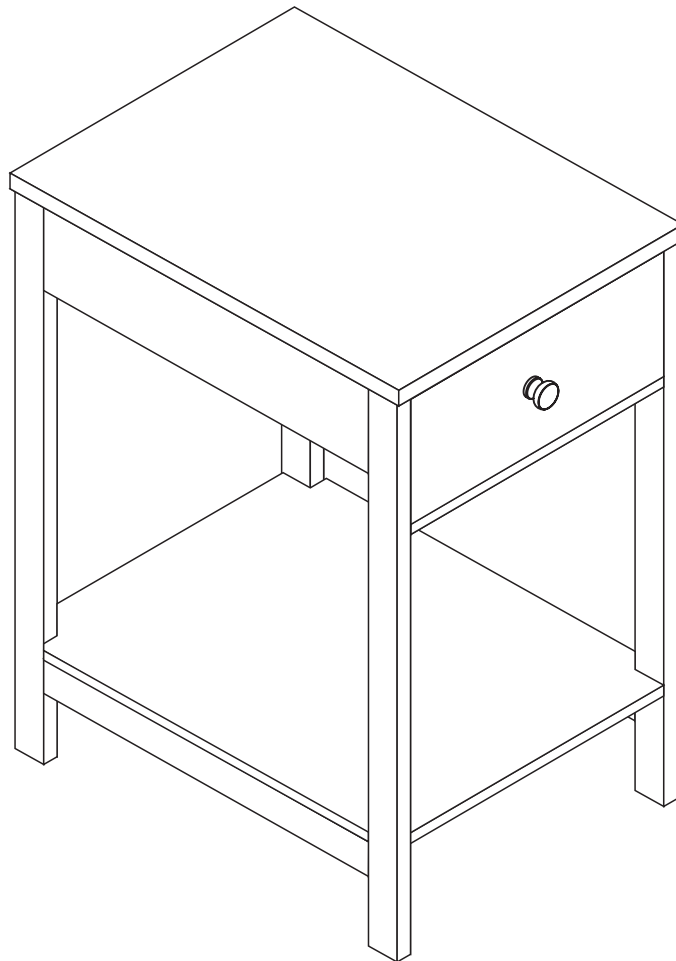




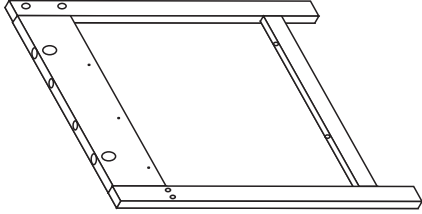
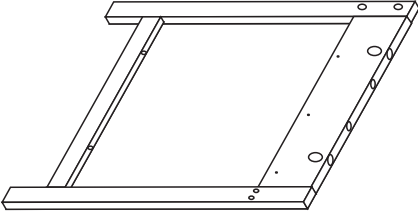
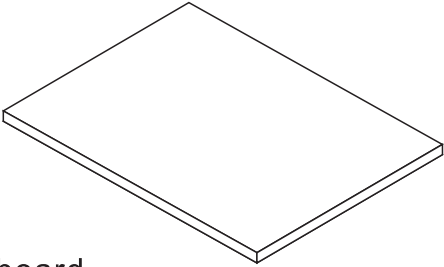
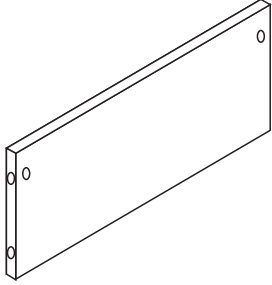
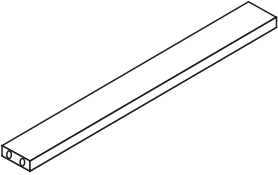
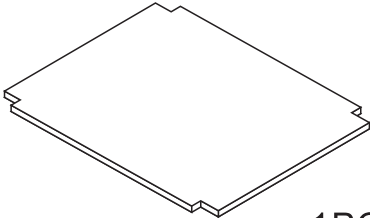
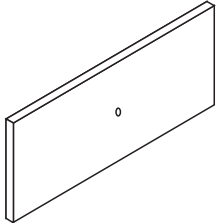
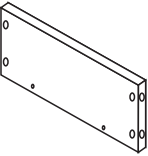
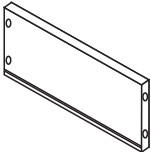
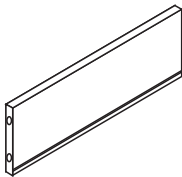
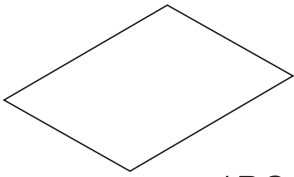
SKU:QI004200
Wooden End Table

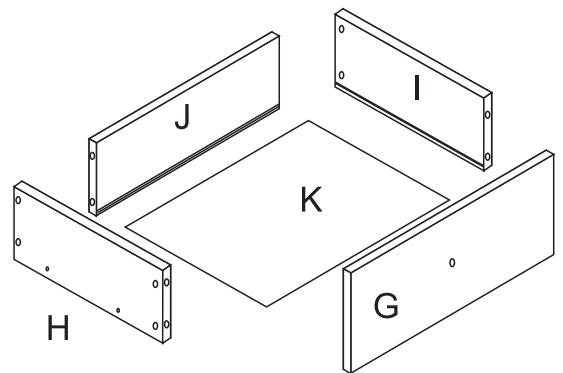
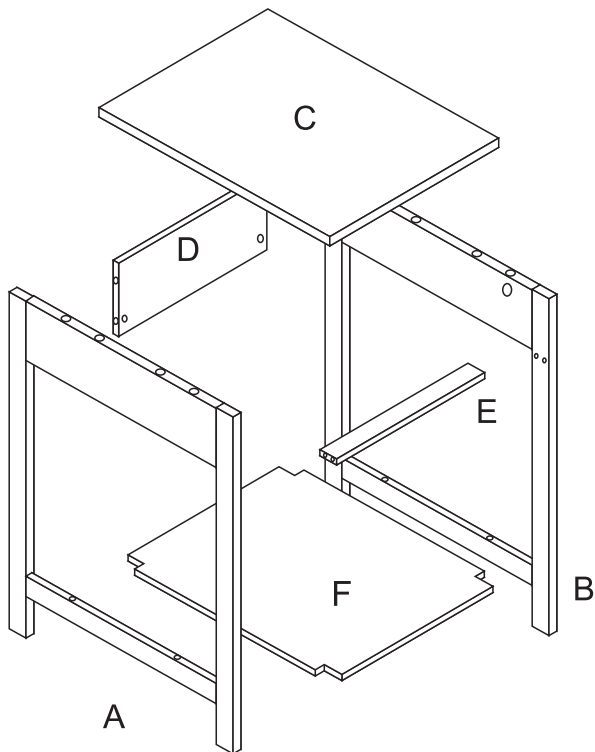
BY:  **Quickway**
Imports inc.
www.quickwayimports.com
info@quickwayimportst.com

ASSEMBLY INSTRUCTION

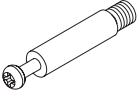
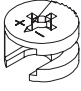

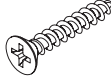

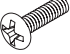
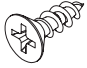
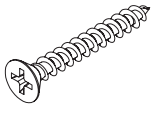
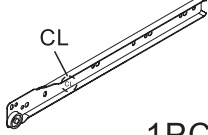
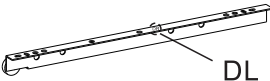
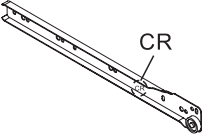
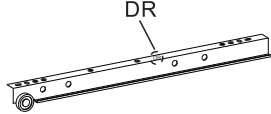


PART LIST

<p>A</p>  <p>Left side board</p> <p>1PC</p>	<p>B</p>  <p>Right side board</p> <p>1PC</p>		
<p>C</p>  <p>Top board</p> <p>1PC</p>	<p>D</p>  <p>Back panel</p> <p>1PC</p>		
<p>E</p>  <p>Front bar</p> <p>1PC</p>	<p>F</p>  <p>Shelf</p> <p>1PC</p>	<p>G</p>  <p>Drawer front</p> <p>1PC</p>	
<p>H</p> <p>Left drawer side</p>  <p>1PC</p>	<p>I</p> <p>Right drawer side</p>  <p>1PC</p>	<p>J</p> <p>Drawer back</p>  <p>1PC</p>	<p>K</p> <p>Drawer bottom</p>  <p>1PC</p>



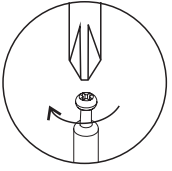
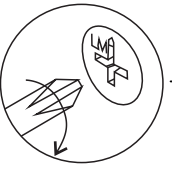
HARDWARE

<p>① cam bolt</p>  <p>12PCS</p>	<p>② cam lock</p>  <p>12PCS</p>	<p>③ wooden dowel</p>  <p>8PCS</p>	<p>④ screw (4x30mm)</p>  <p>4PCS</p>	<p>⑤ knob set</p>  <p>1PC</p>
<p>⑥ screw (4x20mm)</p>  <p>1PC</p>	<p>⑦ screw (3x12mm)</p>  <p>10PCS</p>	<p>⑧ screw (4x40mm)</p>  <p>4PCS</p>	<p>⑨ drawer slides</p>  <p>1PC</p>	<p>drawer slides</p>  <p>1PC</p>
<p>drawer slides</p>  <p>1PC</p>	<p>drawer slides</p>  <p>1PC</p>			

Phillips-Head screwdriver is not included.



Assembling the unit with cams

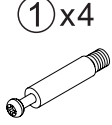


<p>⚠ Caution Risk of damage or injury. HIDDEN CAMS must be completely tightened. HIDDEN CAMS that are not completely tightened may loosen, and parts may separate.</p>	 <p>Gently screw cam bolt into the threaded anchor.</p>	 <p>Insert cam lock with arrow pointing down. Screw the cam firmly into locked position.</p>
---	--	---

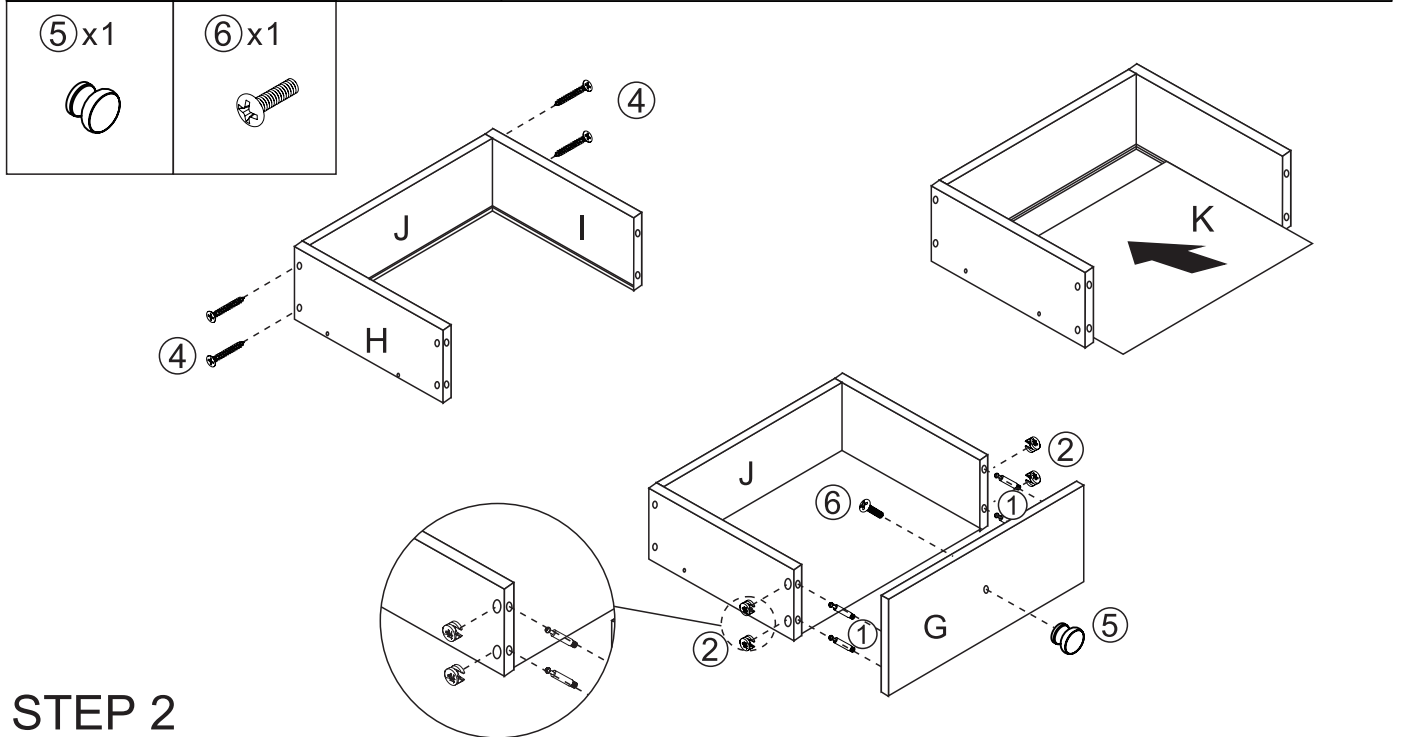


Assembly Instructions


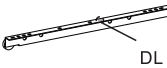
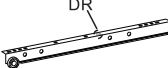
Attention, In order to help with your assembly, do not tighten screws until you have assembled all other parts

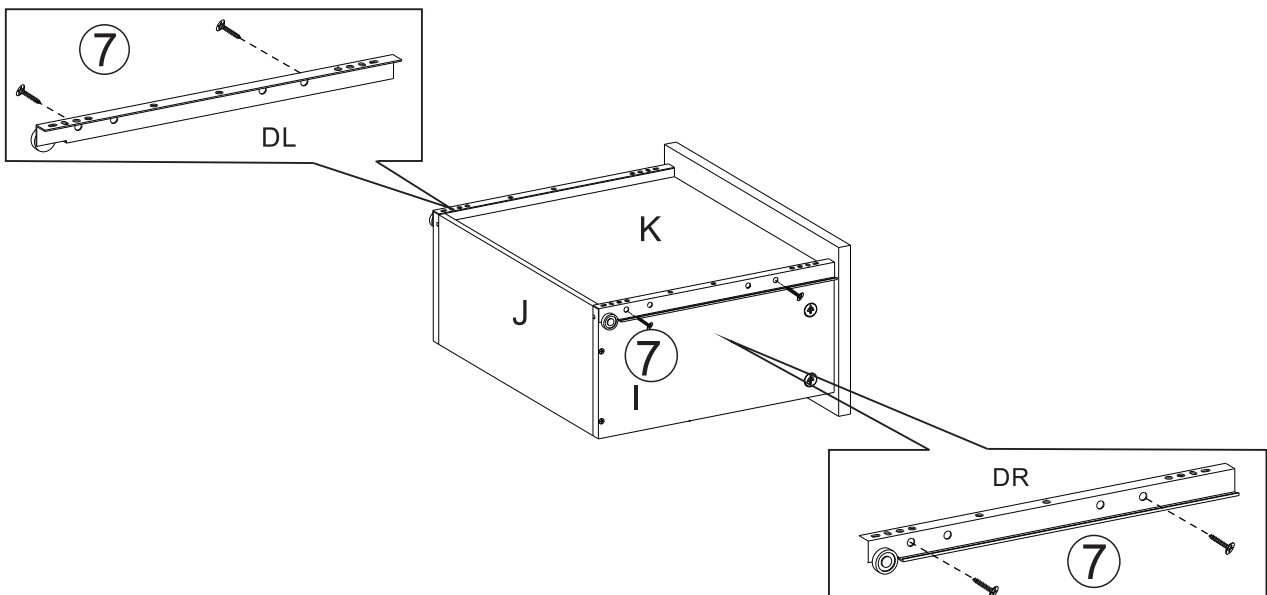
STEP 1

 <p>① x4</p>	 <p>② x4</p>	 <p>④ x4</p>	<p>Drawer assembly</p> <ol style="list-style-type: none"> 1. Attach the left and right drawer side to the back of drawer using #4 2. Insert the bottom panel into grooves on the bottom of the drawer 3. Attach the drawer front to drawer front/sides using #1 and #2 4. Attach the knob to the drawer using #5 and #6
---	---	---	---


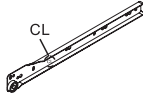
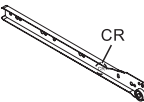


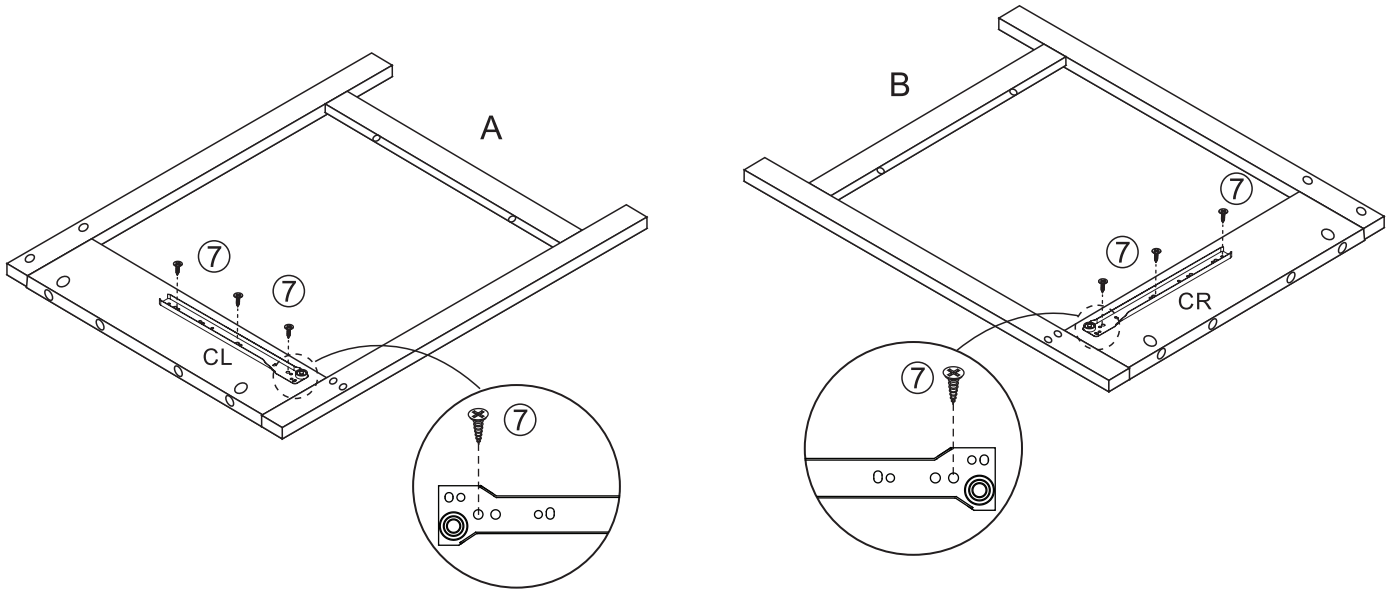
STEP 2

 <p>⑦ x4</p>	<p>drawer slides</p>  <p>DL</p>	<p>drawer slides</p>  <p>DR</p>	<p>Attach the drawer slide on the bottom of the drawer using #7</p>
---	--	--	---

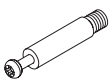

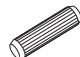


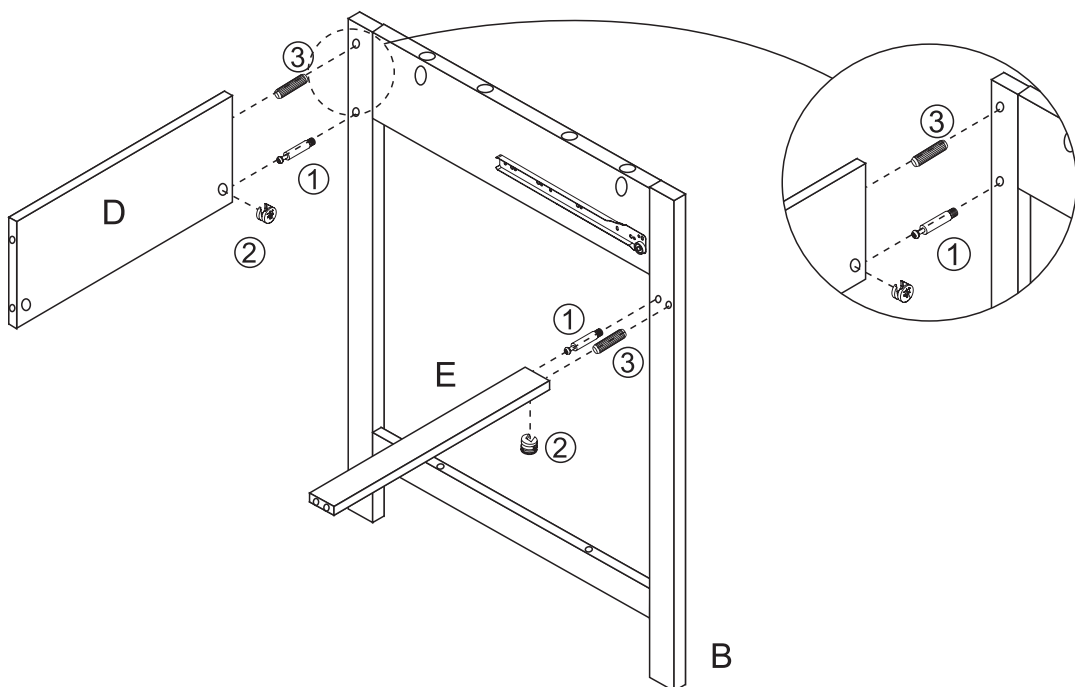
STEP 3

<p>⑦x6</p> 	<p>drawer slides</p> 	<p>drawer slides</p> 	<p>1. Attach the drawer slide to the left side panel using #7 2. Repeat step 1 for right side</p>
--	--	--	---

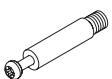

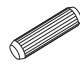


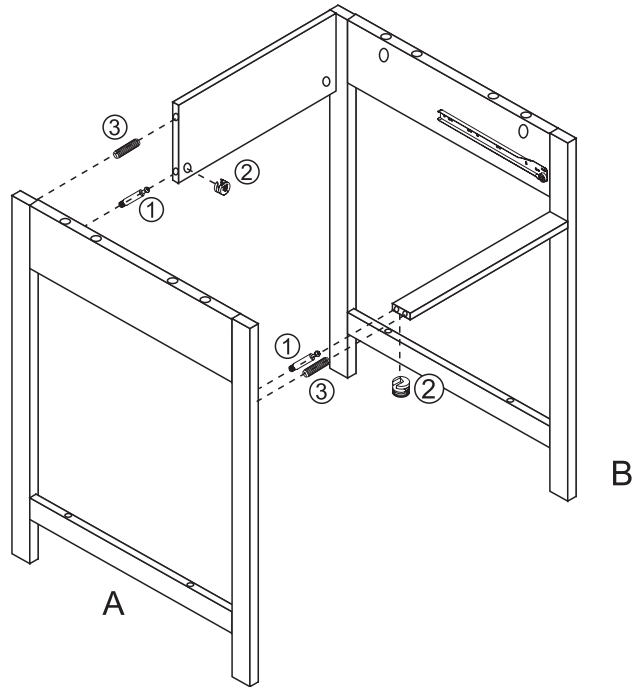
STEP 4

<p>①x2</p> 	<p>②x2</p> 	<p>③x2</p> 	<p>1. Insert #2 and #3 into the back panel and front bar to align with #1 cam bolts 2. Rotate clockwise to secure cam bolts in place 3. Connect the back panel and front bar to right side panel</p>
--	--	--	--

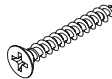


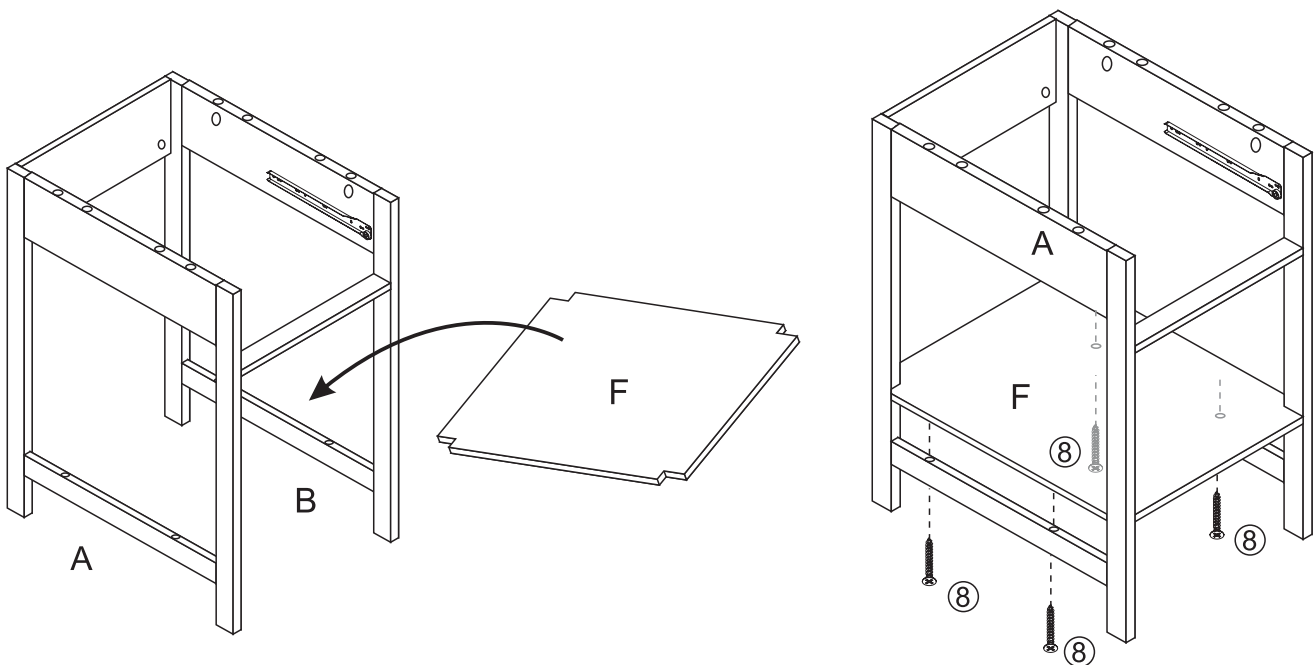
STEP 5

<p>① x2</p> 	<p>② x2</p> 	<p>③ x2</p> 	<p>Repeat step 4 connecting the back panel and front bar to left panel</p>
---	---	---	--

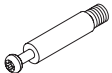

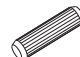


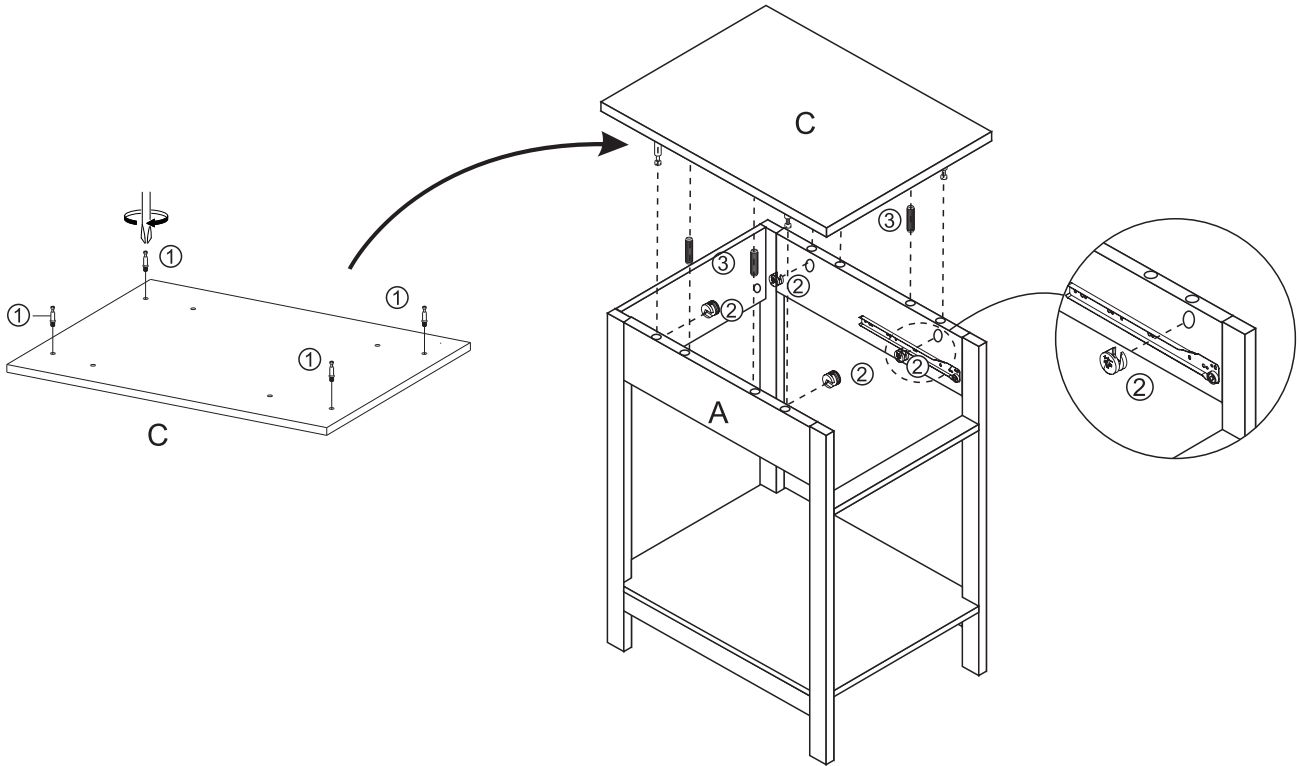
STEP 6

<p>⑧ x4</p> 	<p>Insert the shelf using #8</p>
---	----------------------------------



STEP 7

<p>① x4</p> 	<p>② x4</p> 	<p>③ x4</p> 	<p>1. Insert the #3 wooden dowel to the top of both side board 2. Inserting #1 cam bolts into table top 3. Attach the top board by inserting #1 cam bolts into holes on sides 4. Insert #2 cam locks into cam lock holes on both side panels and rotate clockwise to ensure cam bolts in place</p>
---	---	---	---



STEP 8

To insert the drawer into your unit, tip the front of the drawer down and drop the glides on the drawer behind the glides on the unit. Lift the front of the drawer up and slide it into the unit.

STEP 9

