



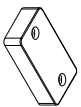


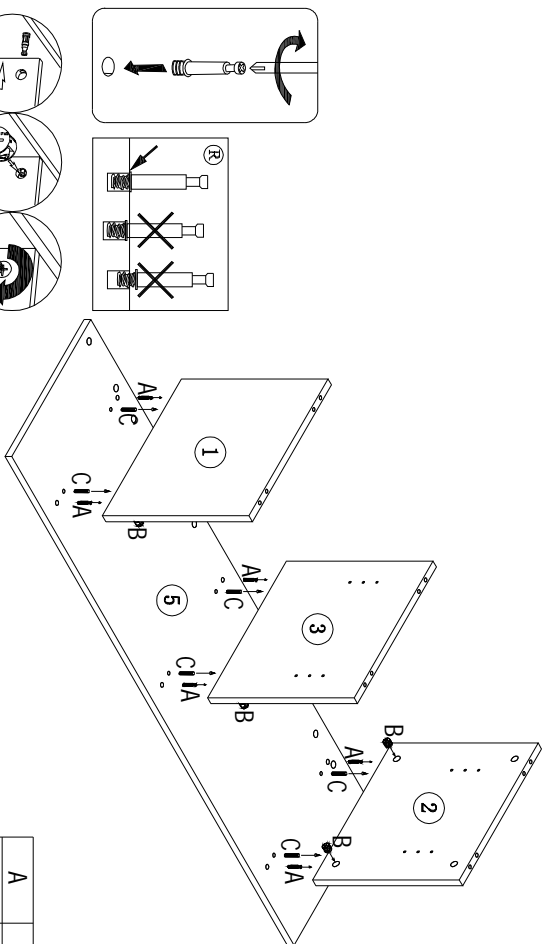


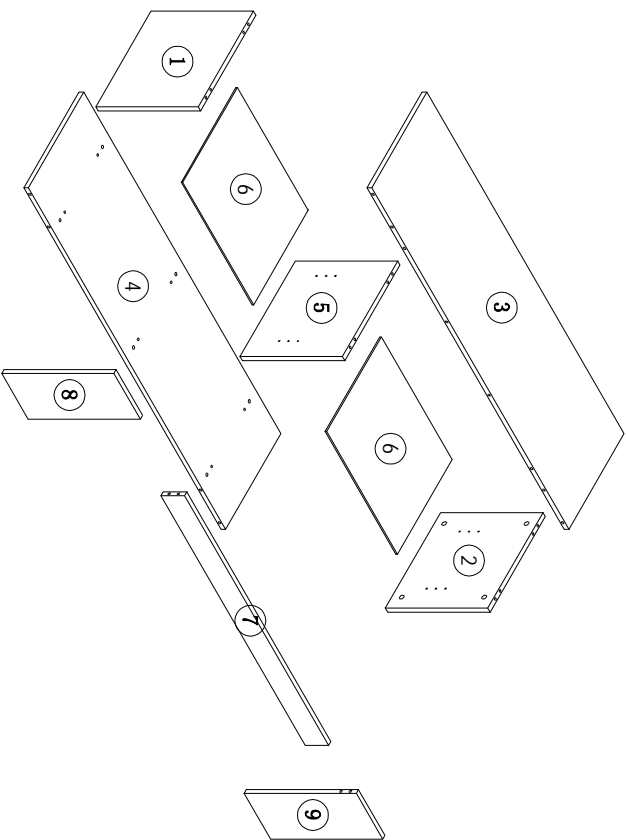
A	 24PCS	B	 24PCS
C	 16PCS	D	 8PCS
E	 6PCS	F	 3, 5*25 12PCS
G	 1SET		

1



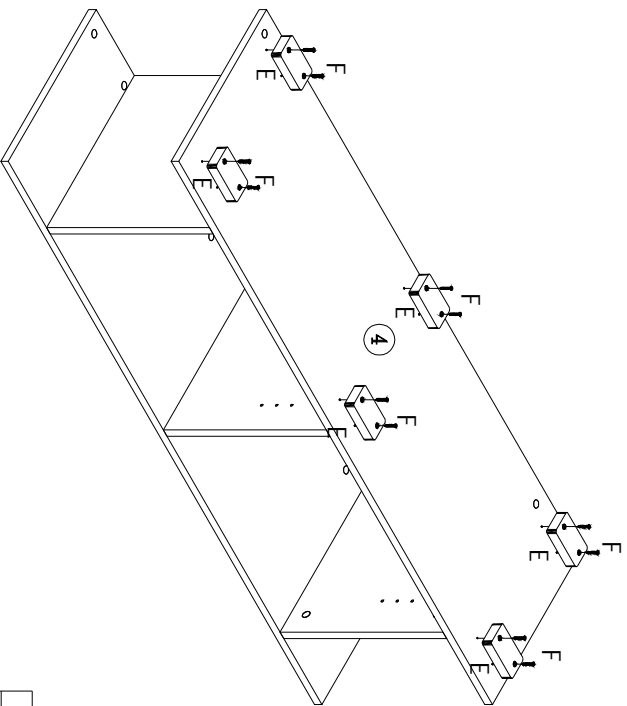
A	6PCS
B	6PCS
C	6PCS

2



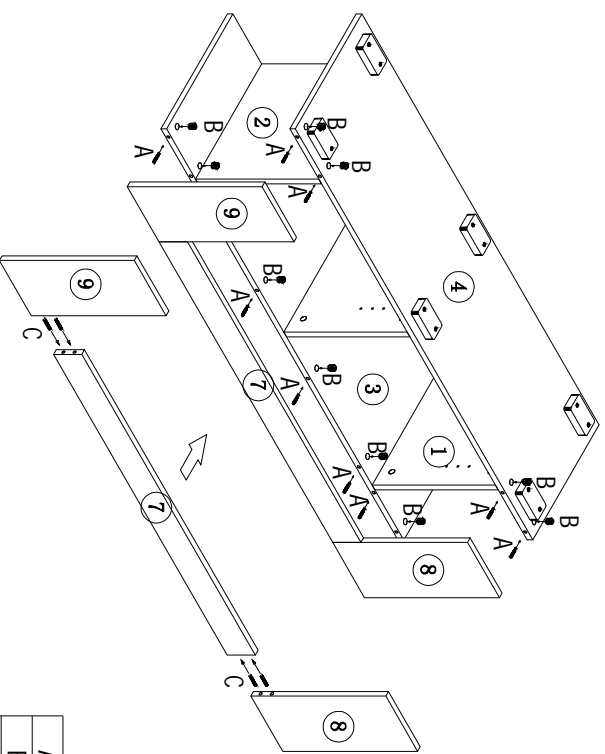
A	6PCS
B	6PCS
C	6PCS

3



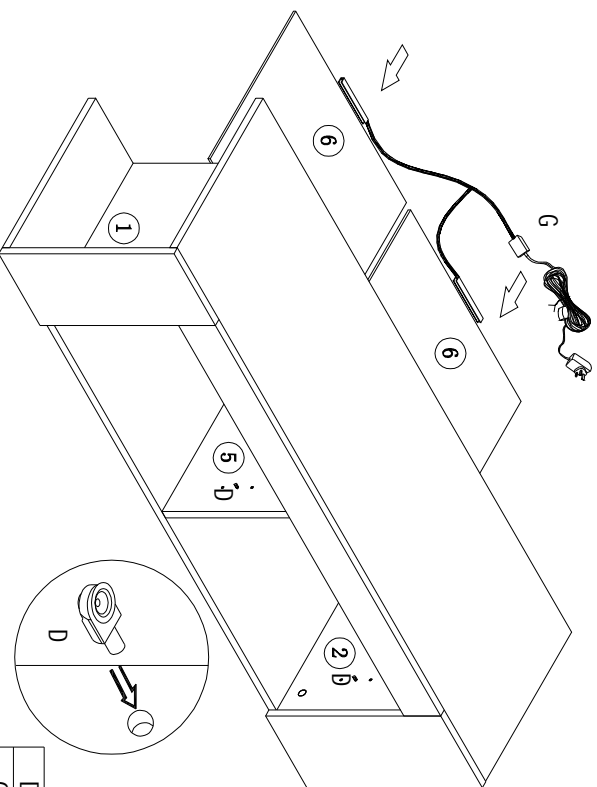
E	6PCS
F	12PCS

4



A	12PCS
B	12PCS
C	4PCS

5



D	8PCS
G	1SET

6

