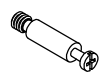
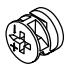

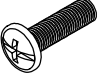

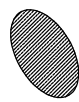
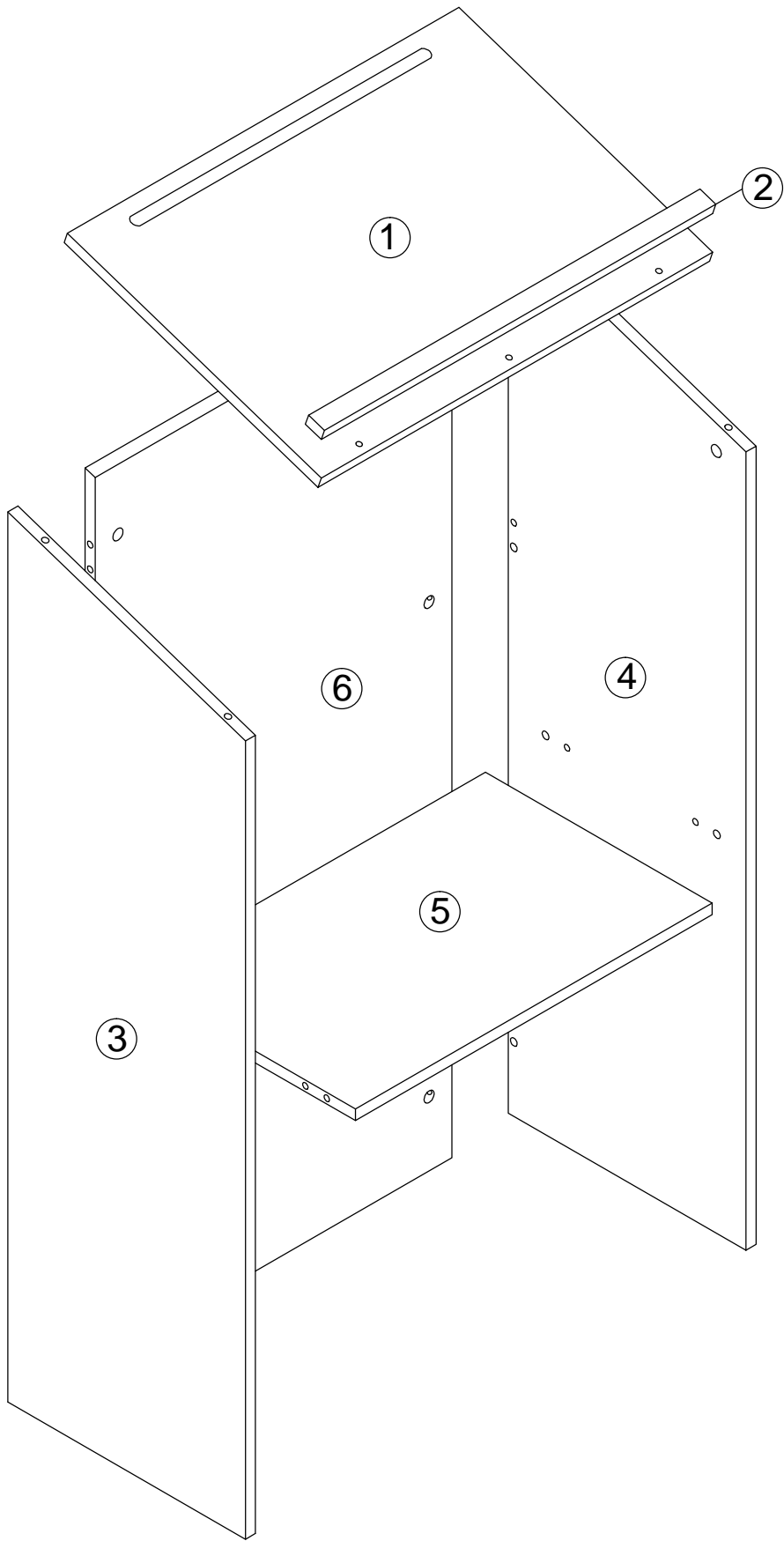


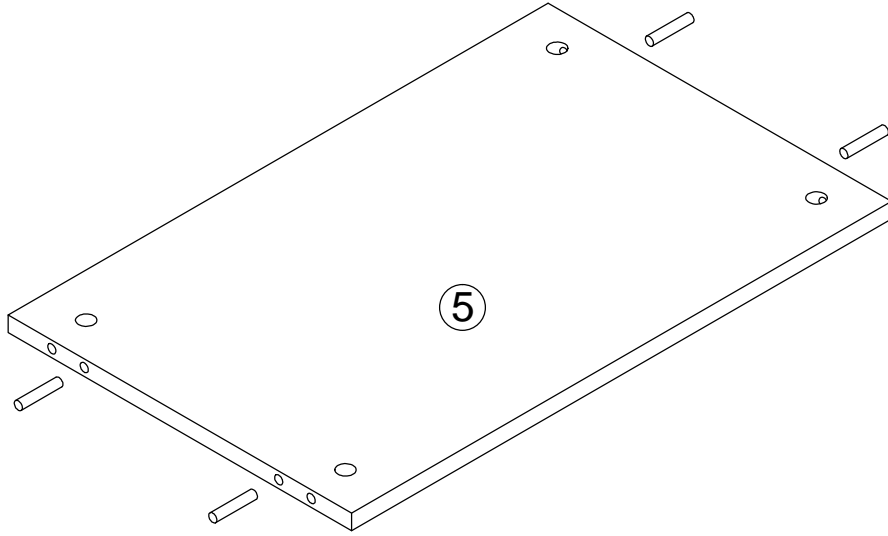
Floor Standing Podium Assembly Instructions

QI004421

 A1	 A2	 $\text{Ø}8 \times 40$	 C	 D	 $\text{Ø}20$
A × 16	B × 12	C × 3	D × 6	E × 16	

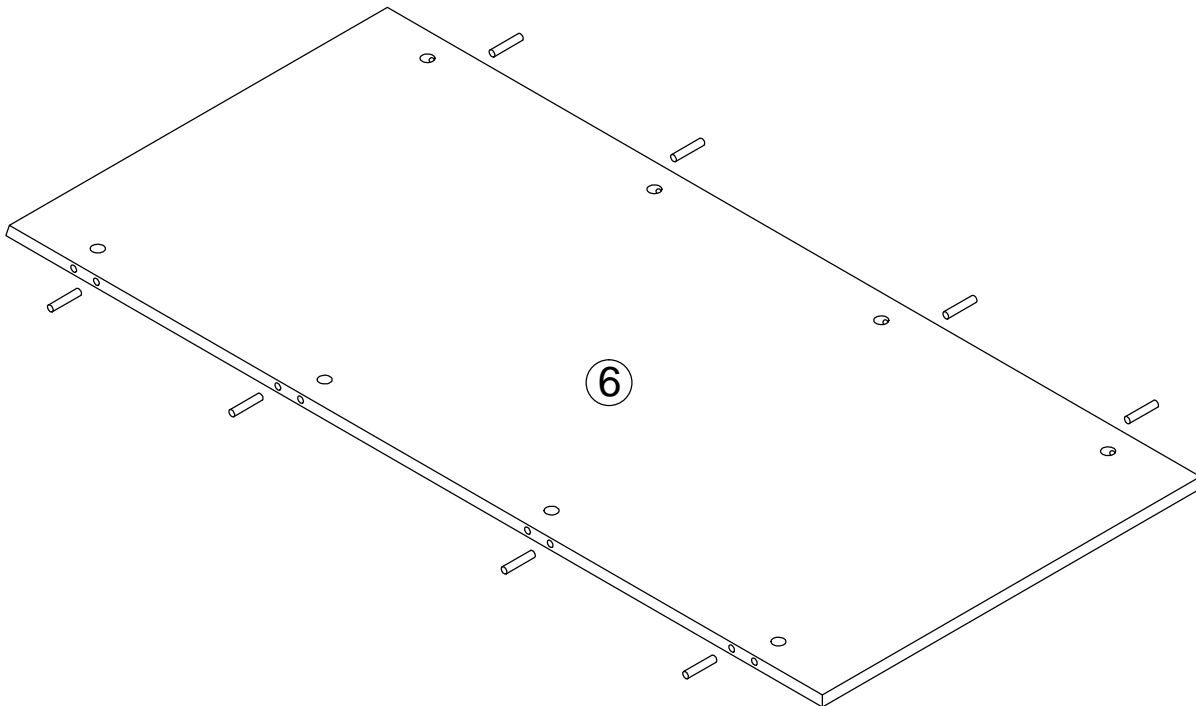


1



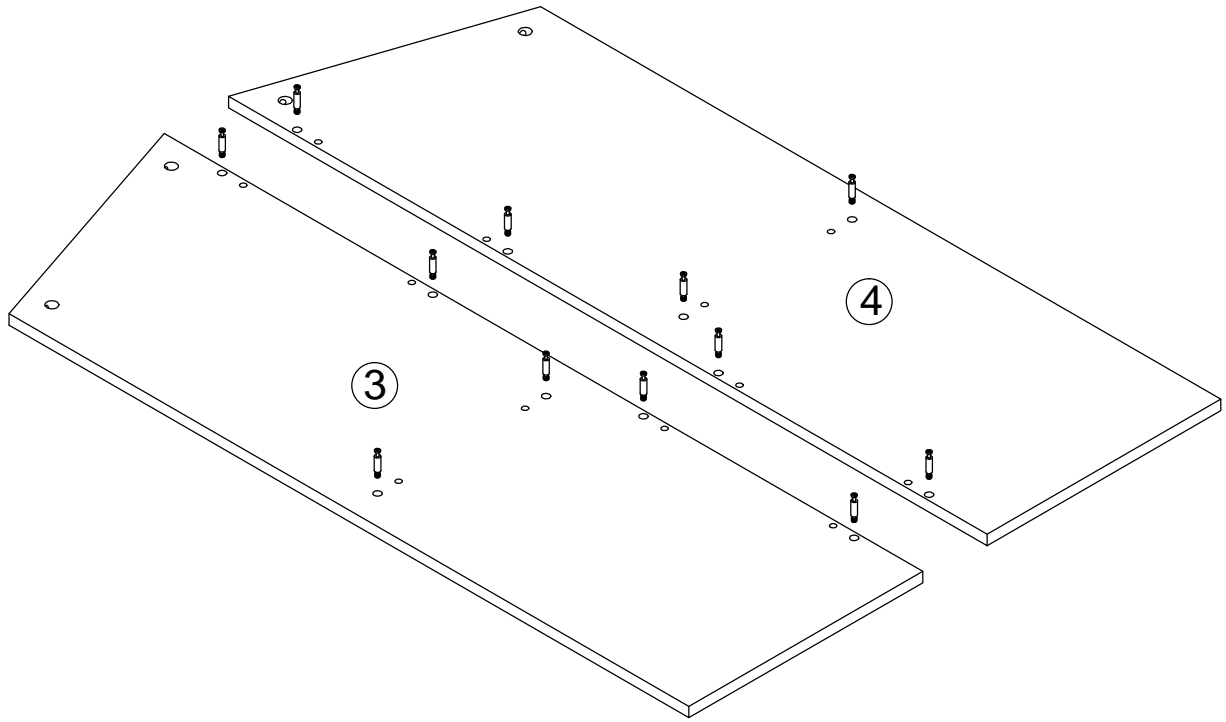
B*4

2



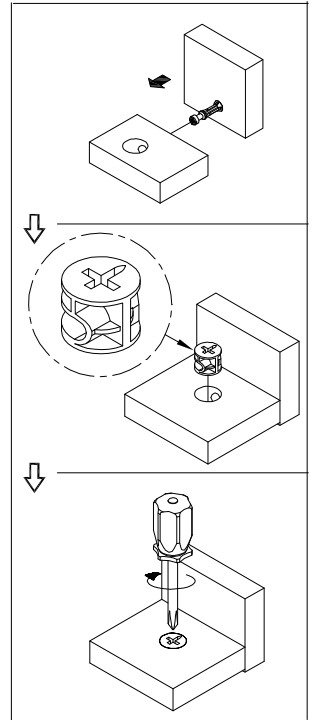
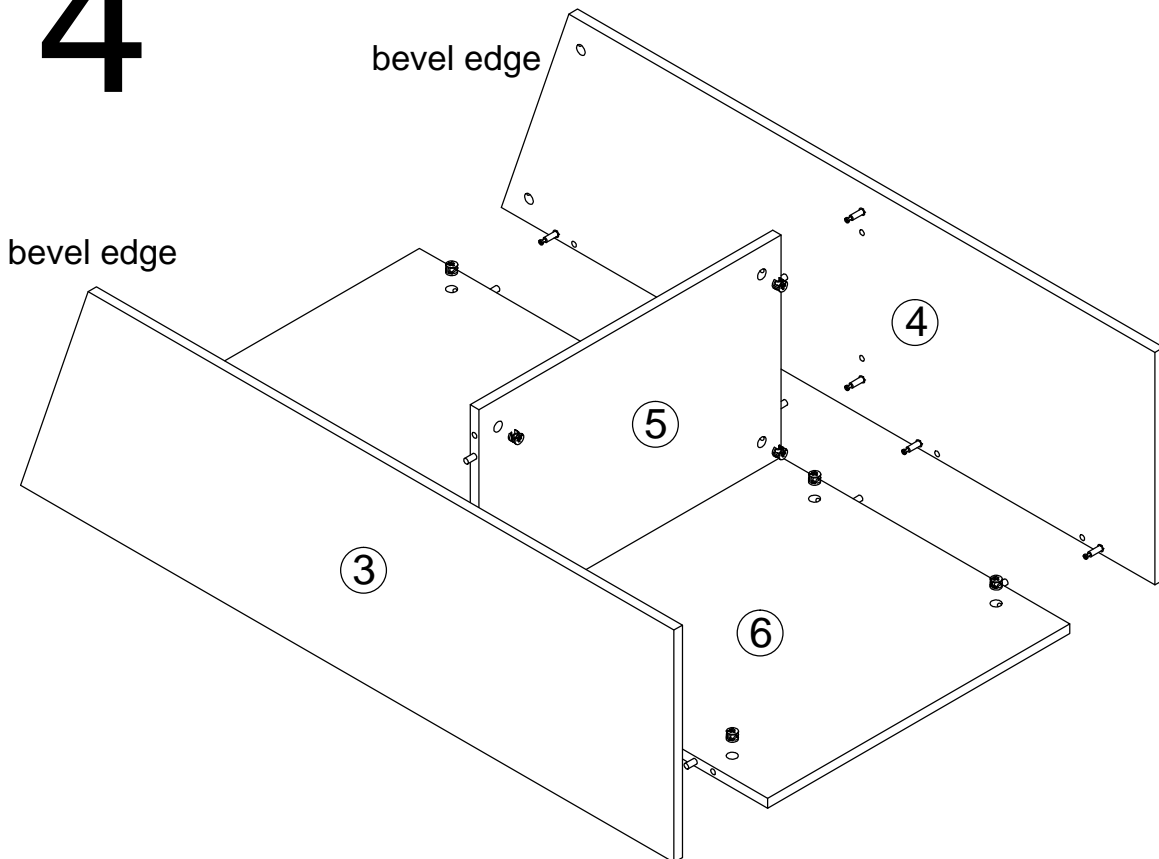
B*8

3



A1*12

4

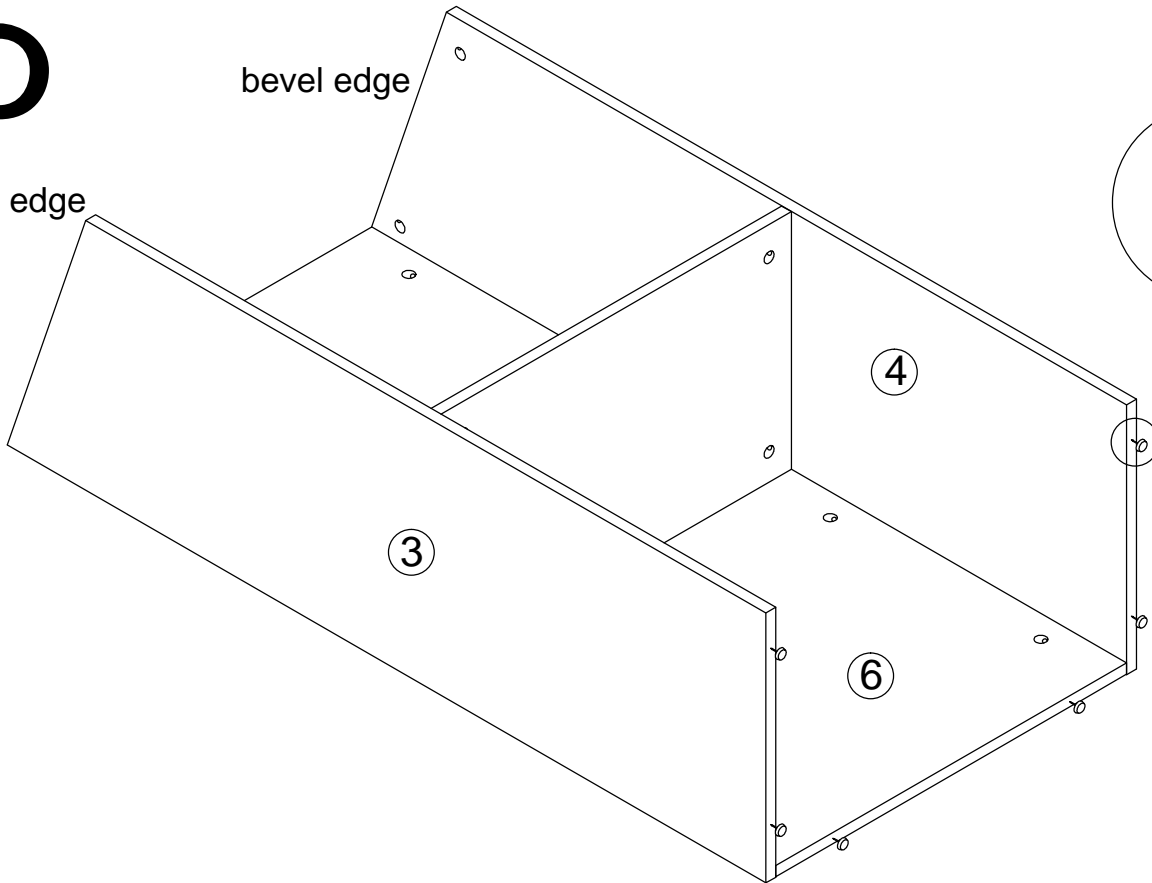


A2*12

5

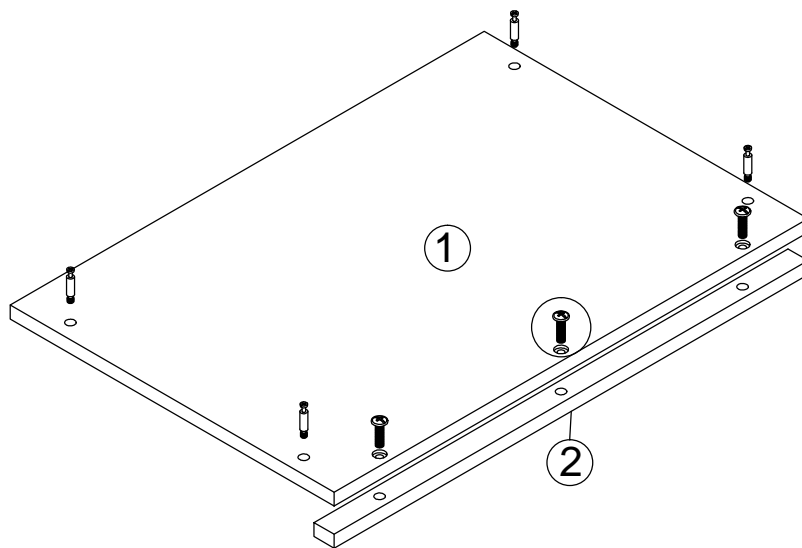
bevel edge

bevel edge



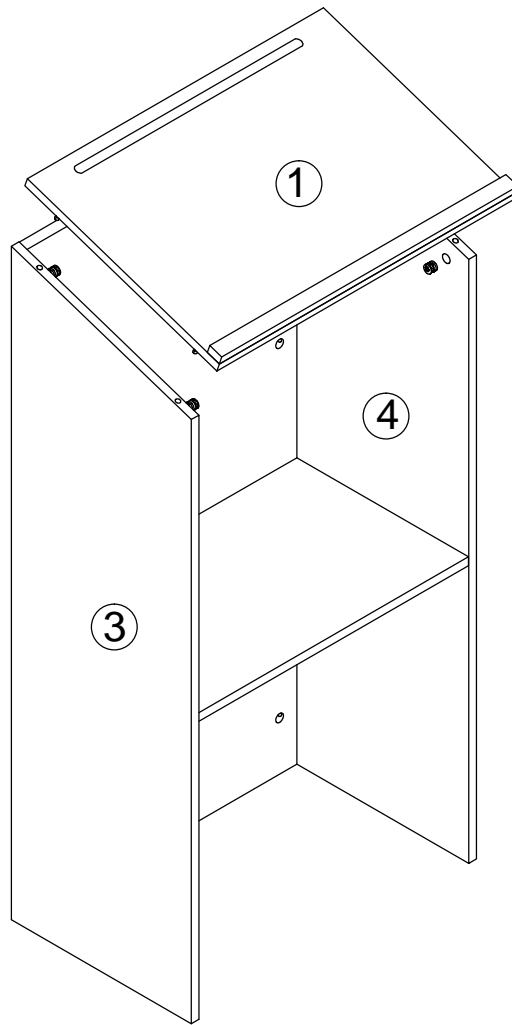
D*6

6



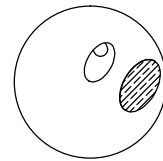
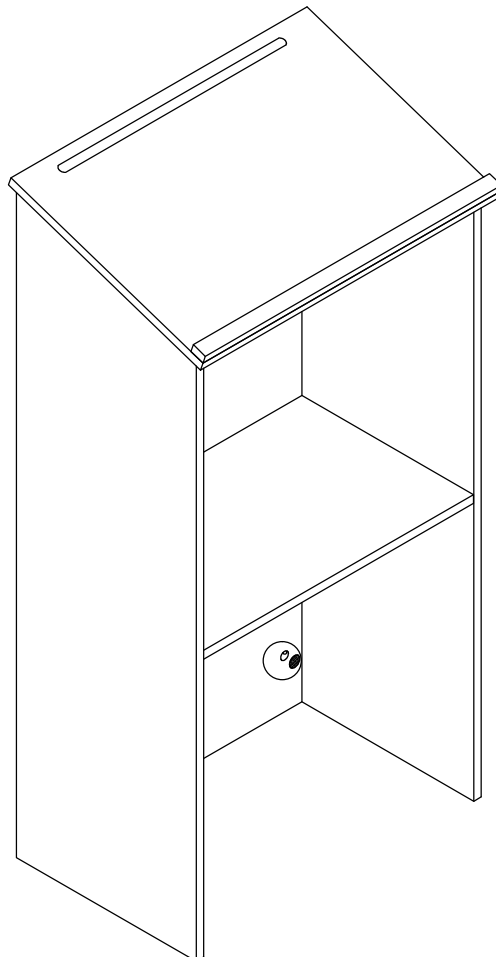
A1*4+C*3

7



A2*4

8



E*16