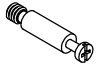


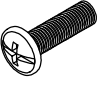

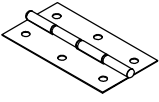
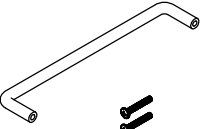

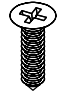
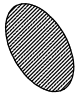

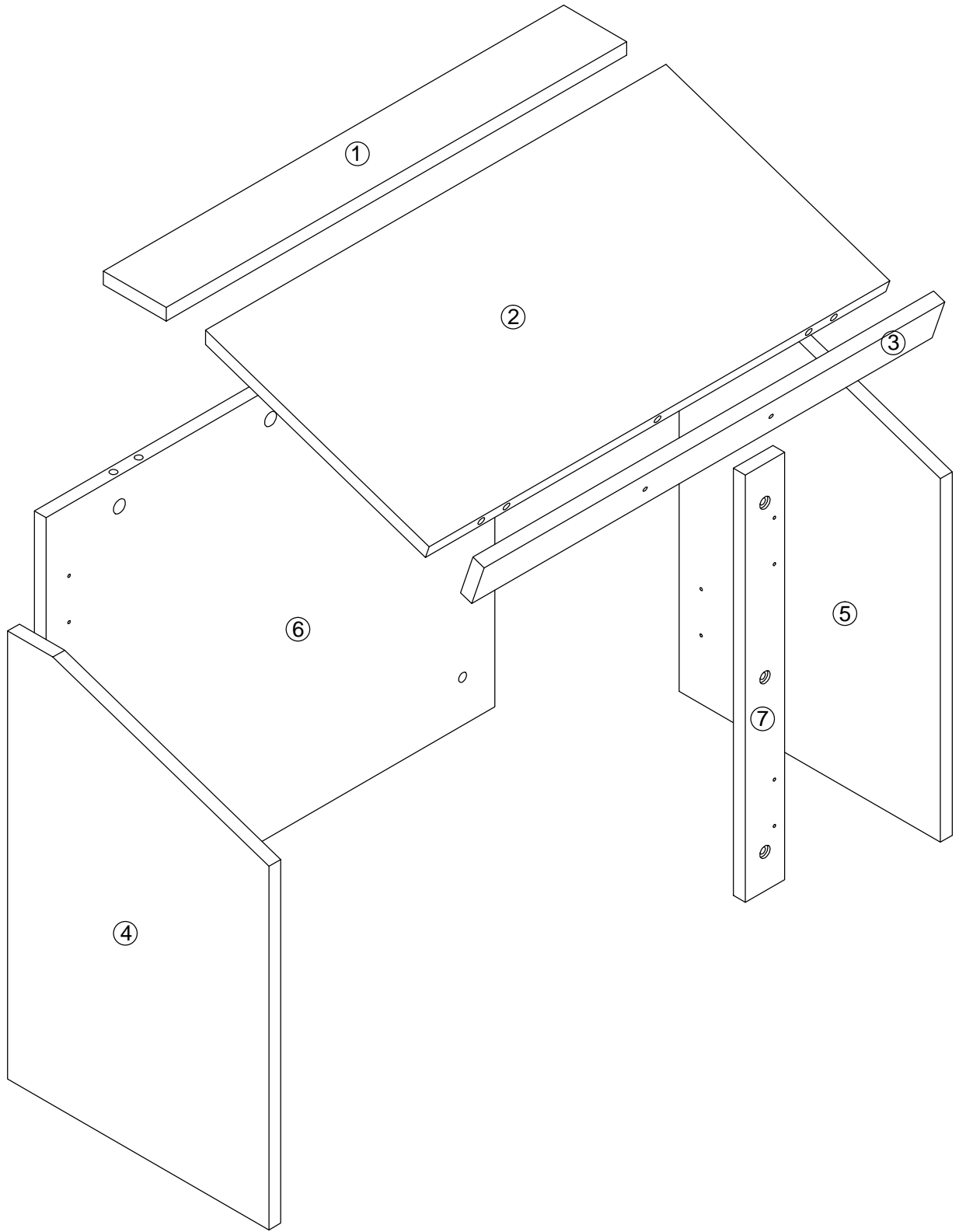


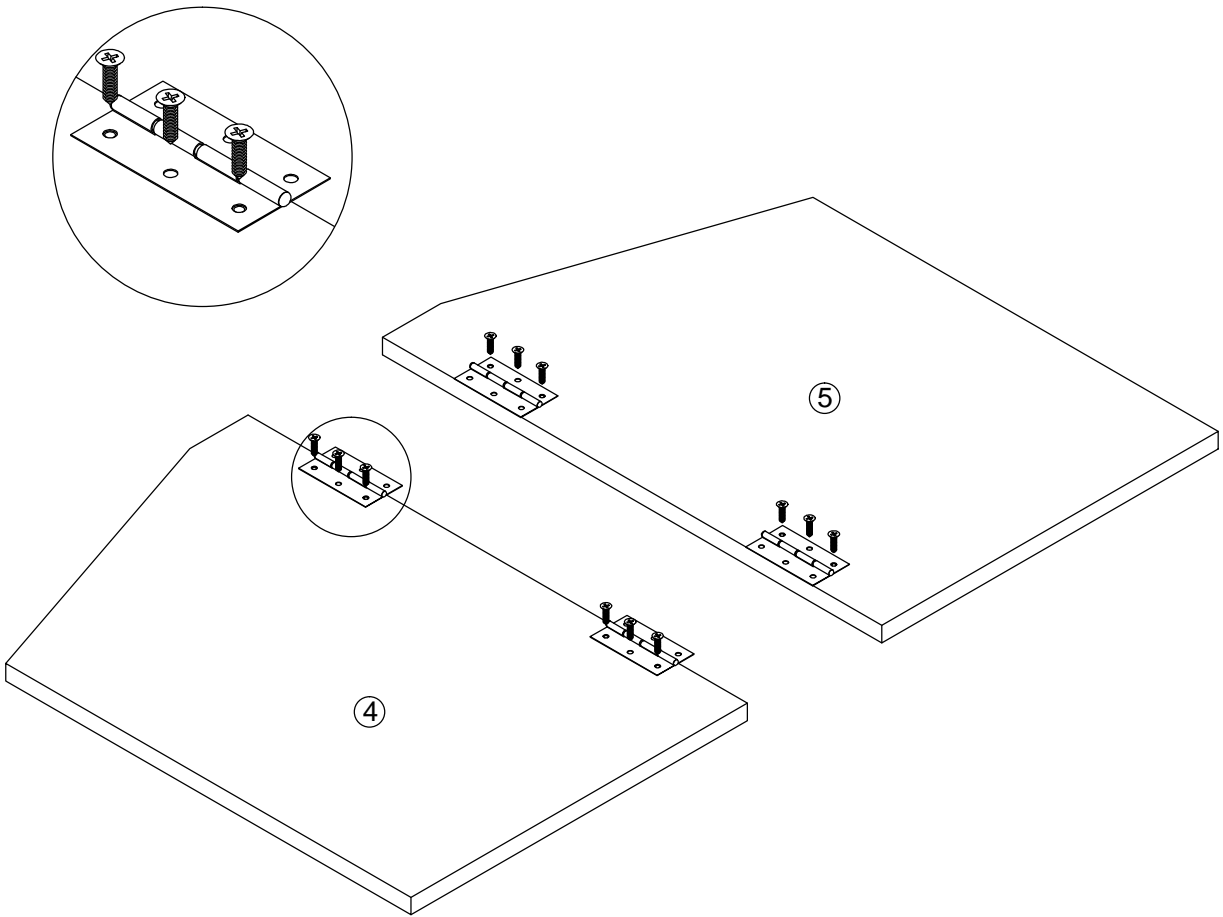
Tabletop Portable Podium Assembly Instructions

QI004422

  A1	 Ø8*40	 C	 D	 E	  Ø4*18 F
A×6	B×4	C×3	D×6	E×6	F×1
 Ø3.5*14 G	 Ø20 H	 I			
G×36	H×9	I×1			

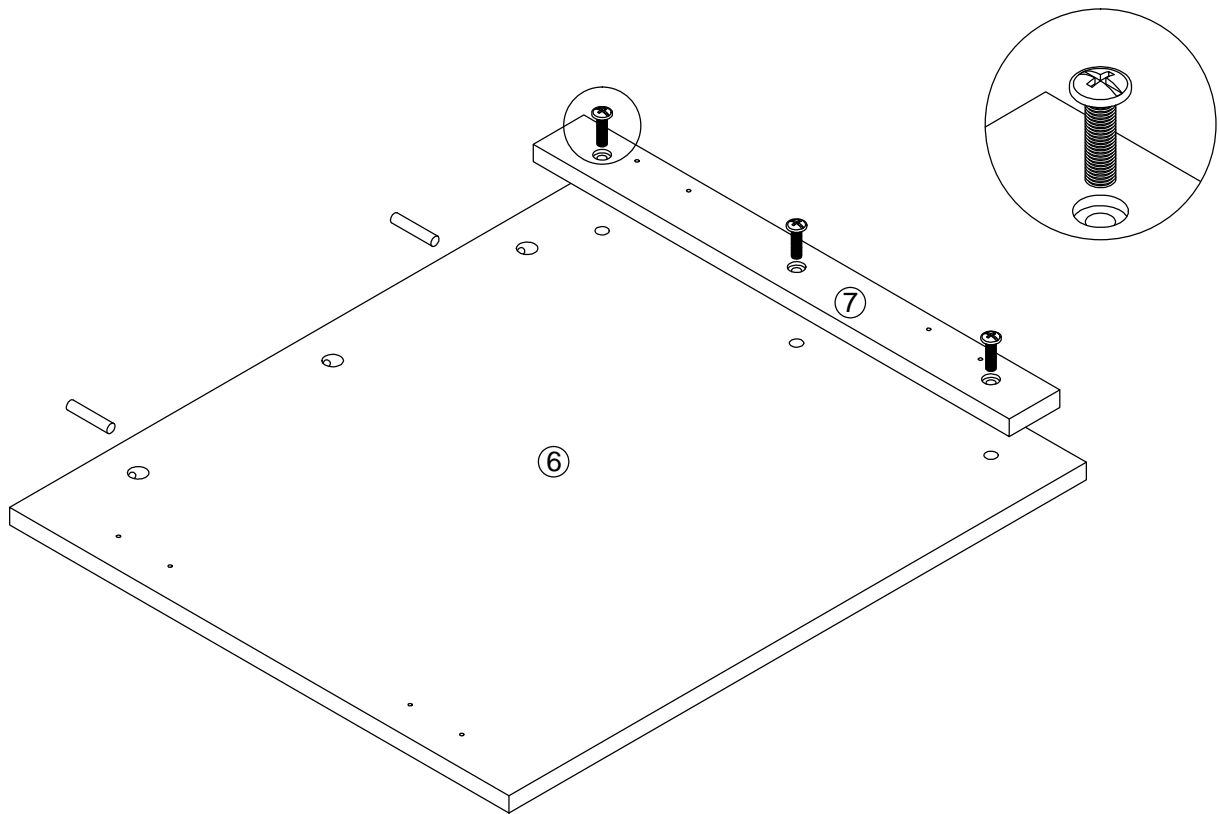


1



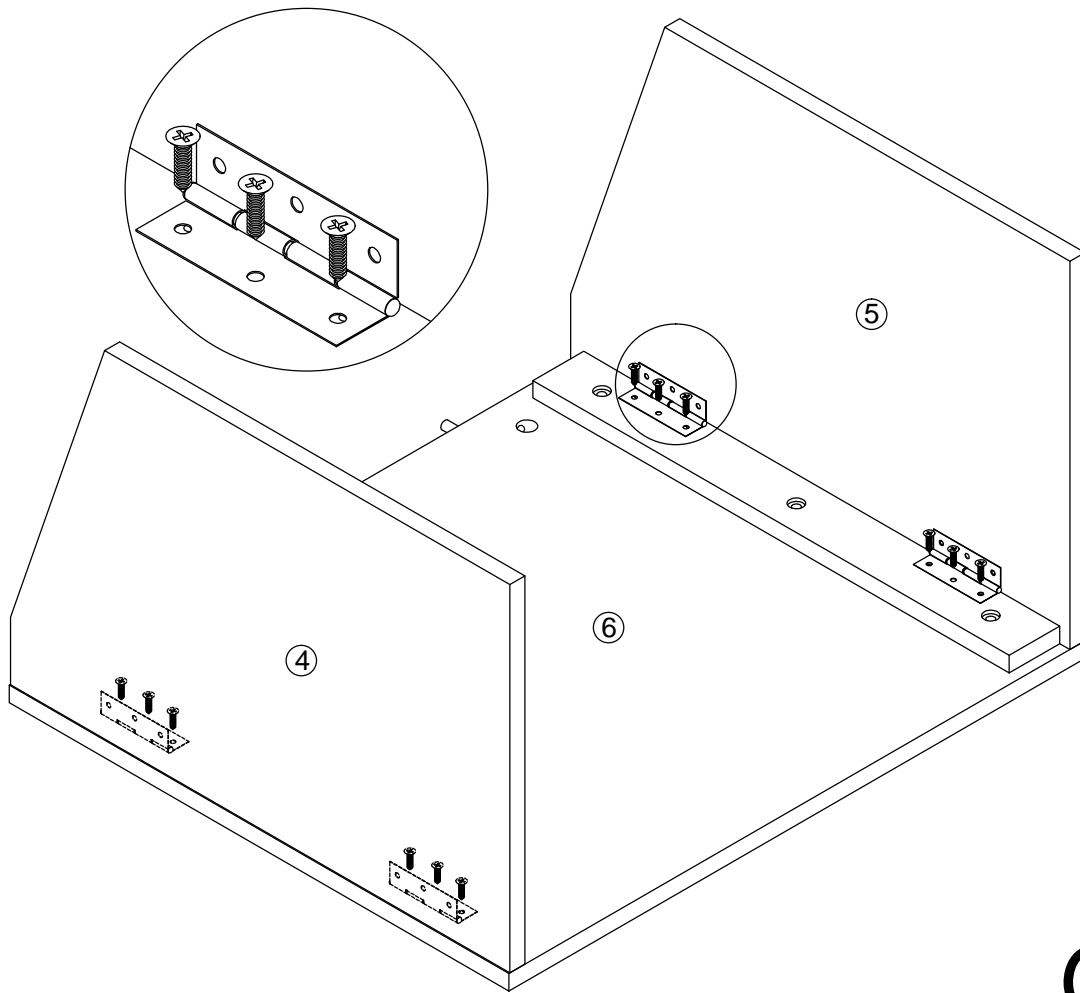
E*4+G*12

2



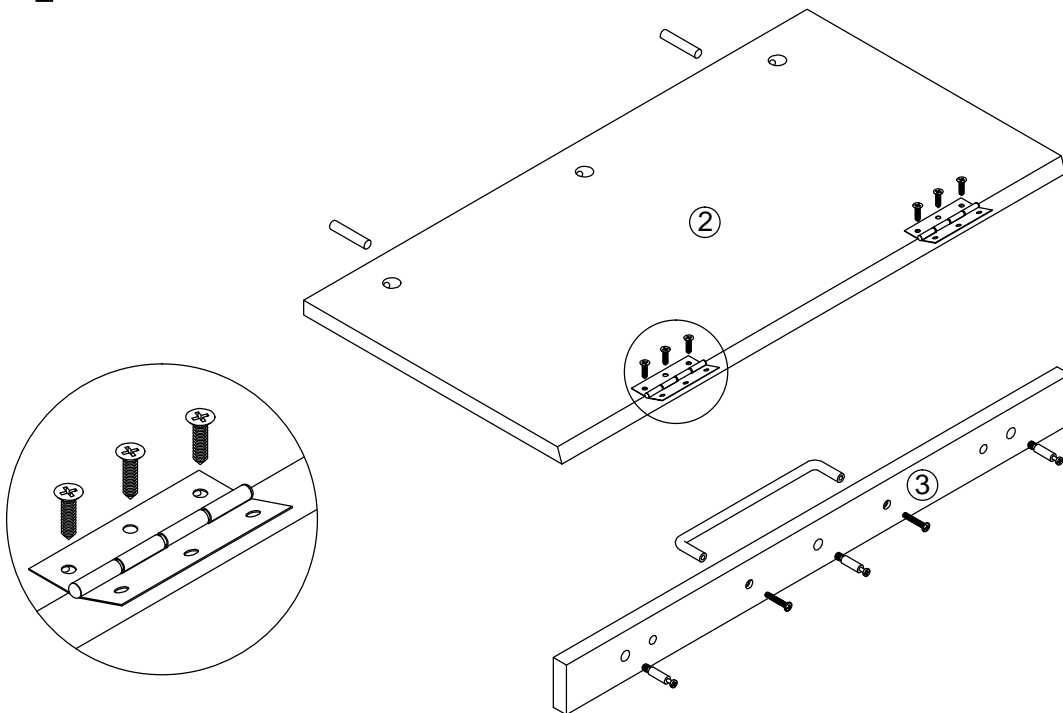
B*2+C*3

3



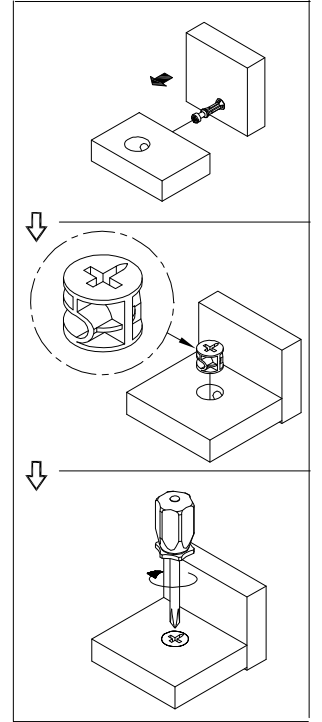
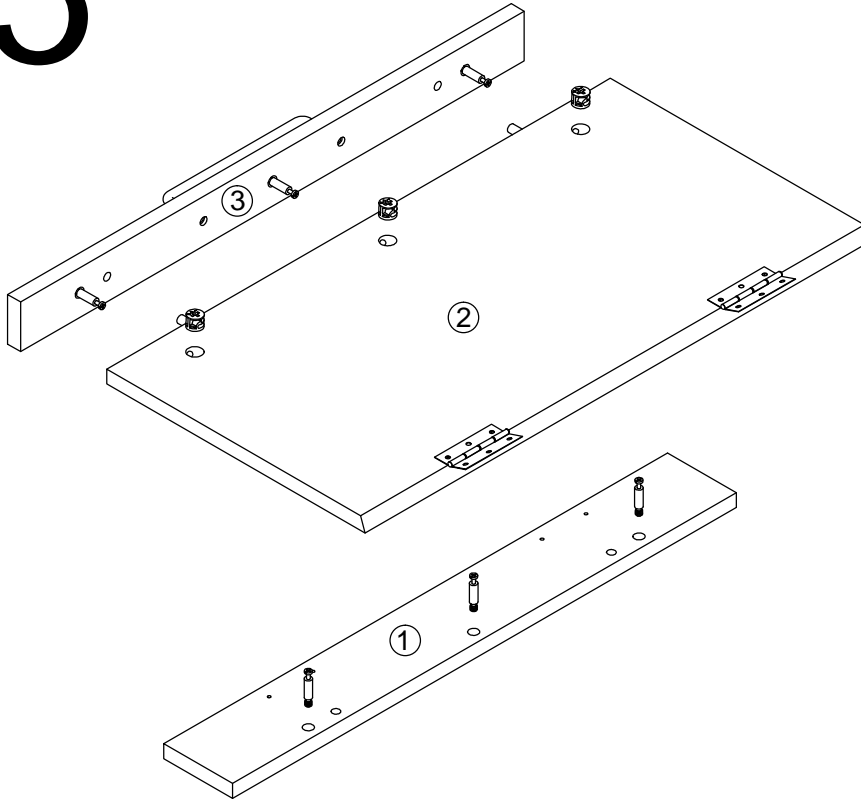
G*12

4



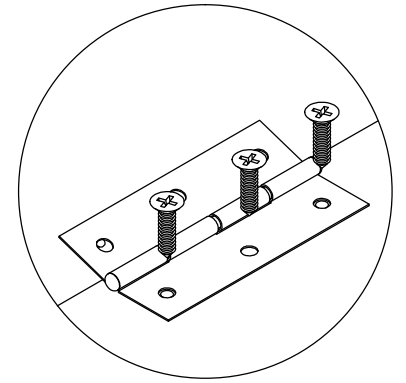
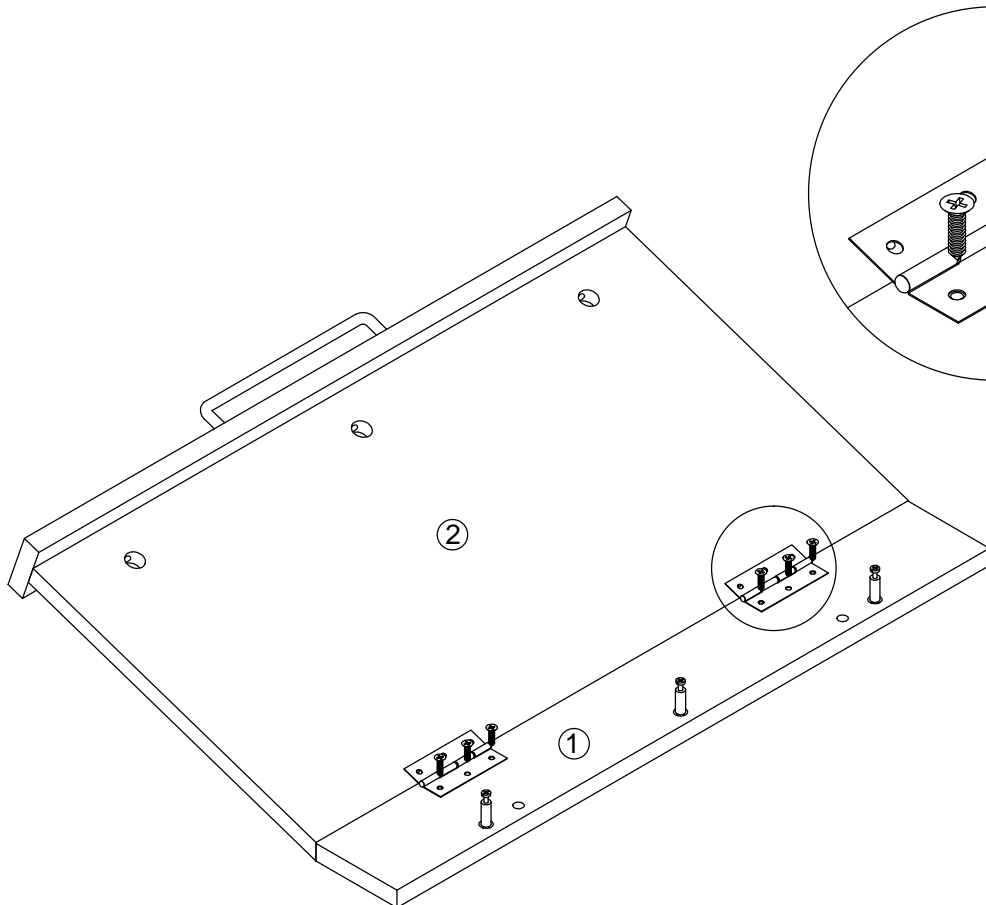
A1*3+B*2+E*2+F*1+G*6

5



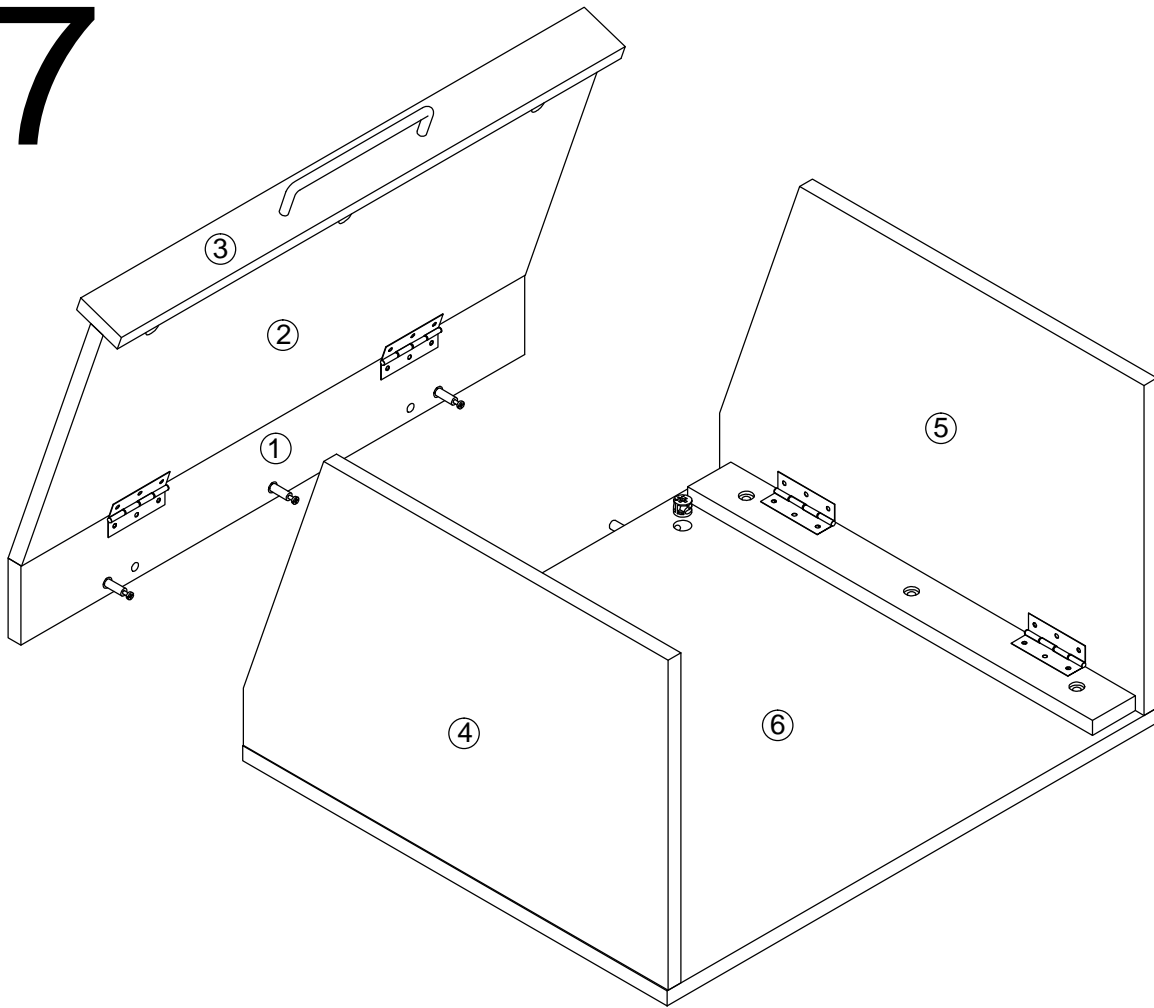
A1*3+A2*3

6



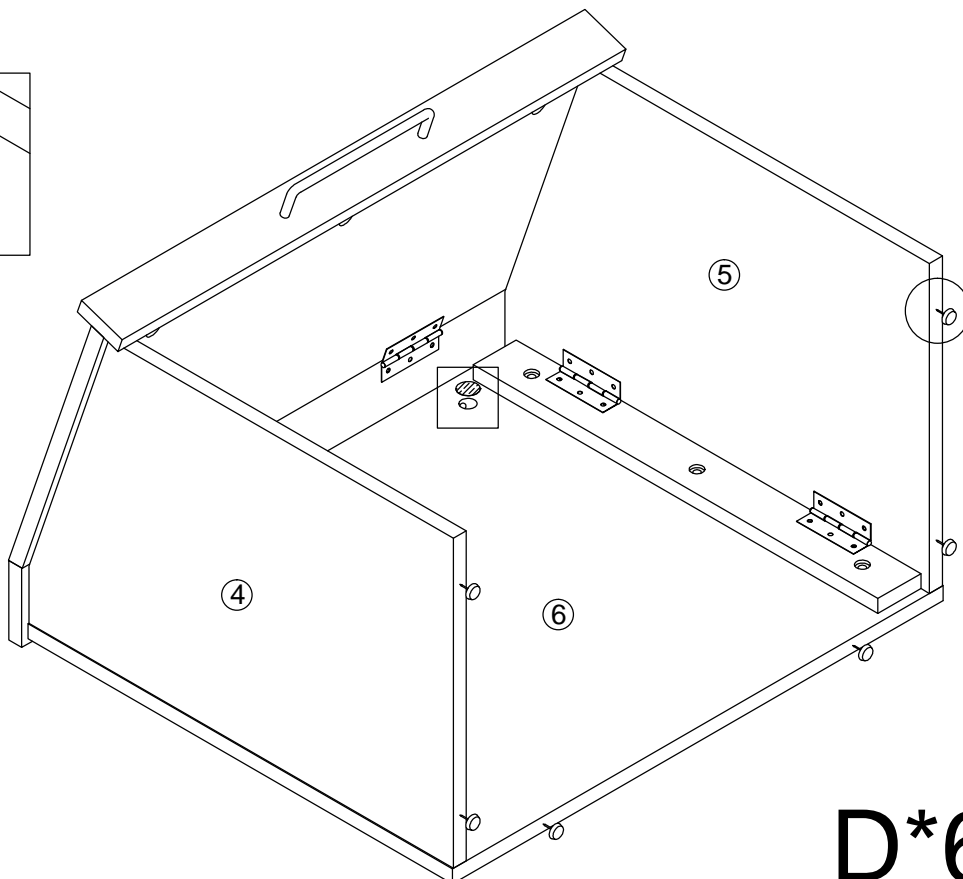
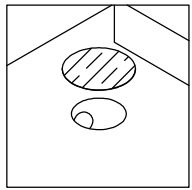
G*6

7



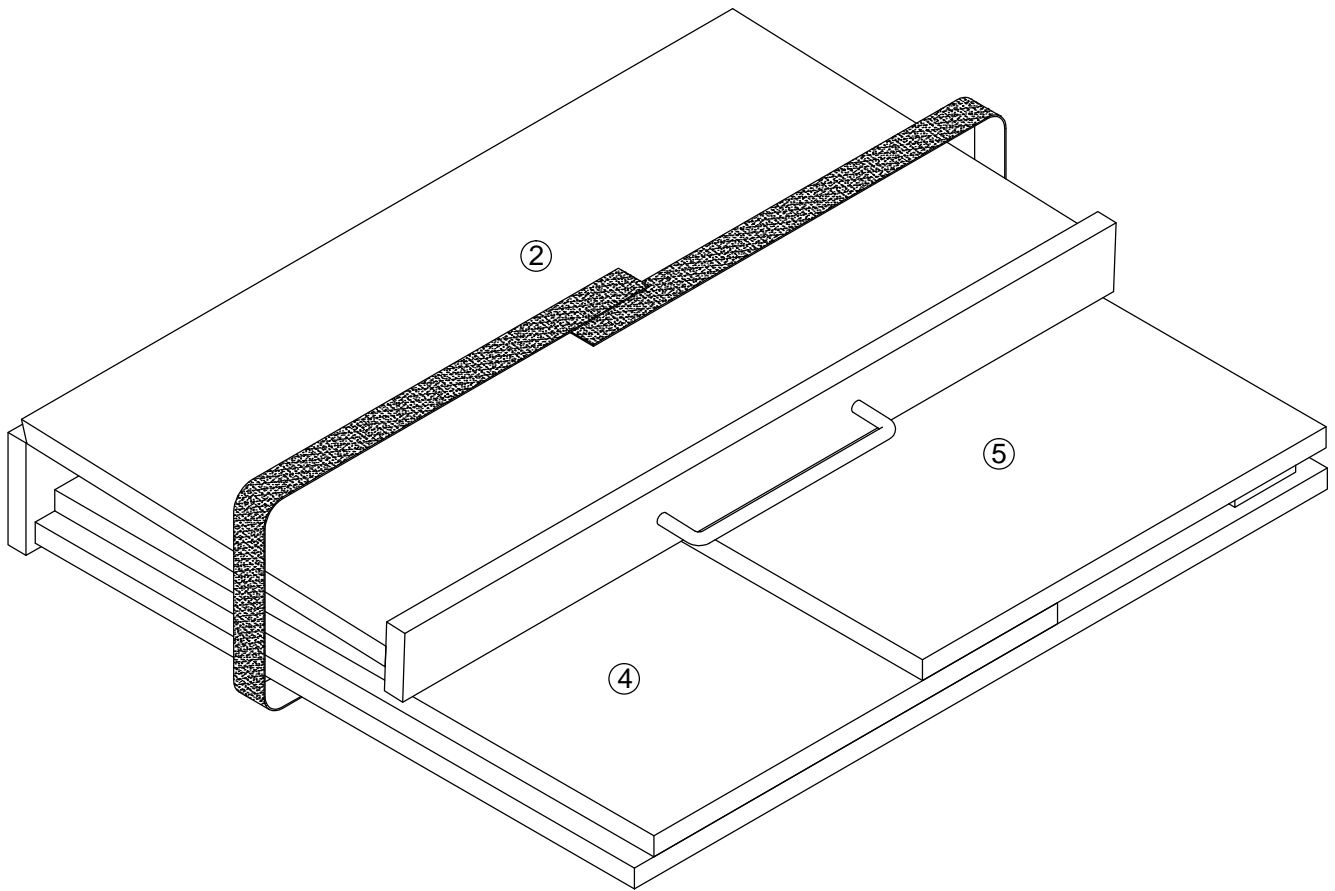
A2*3

8



D*6+H*9

9



1*1