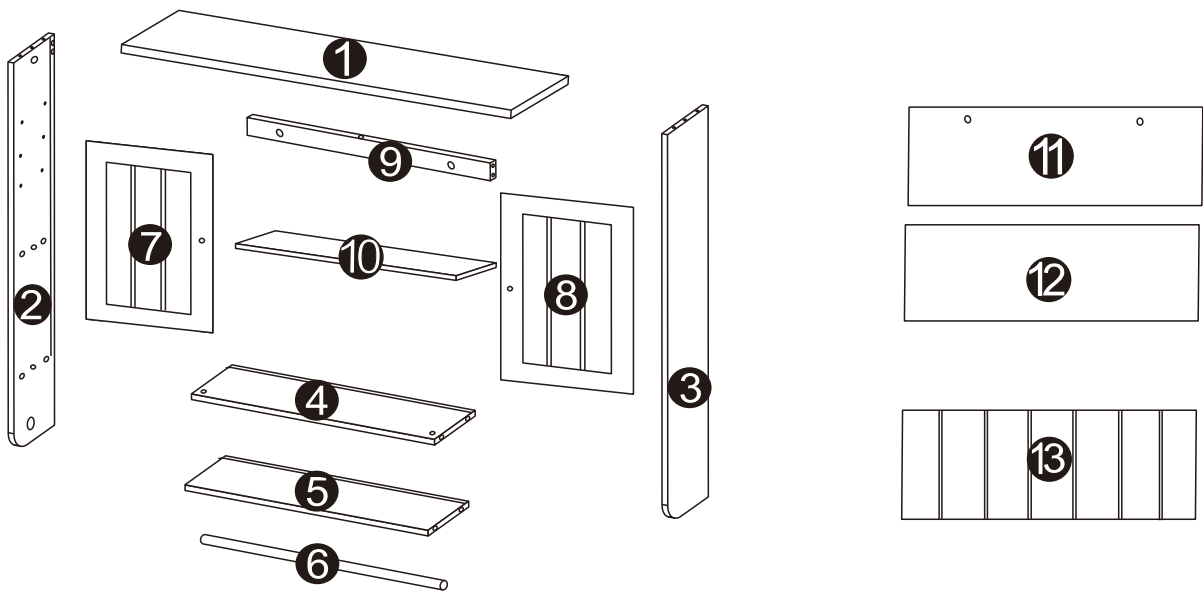
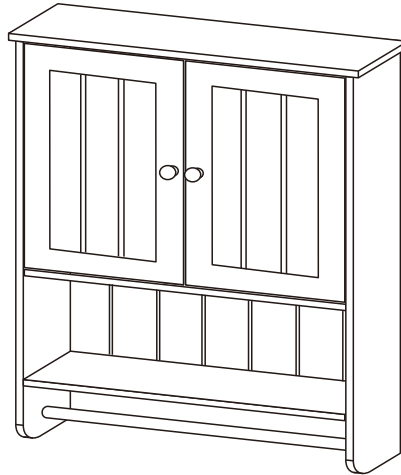



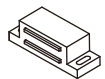












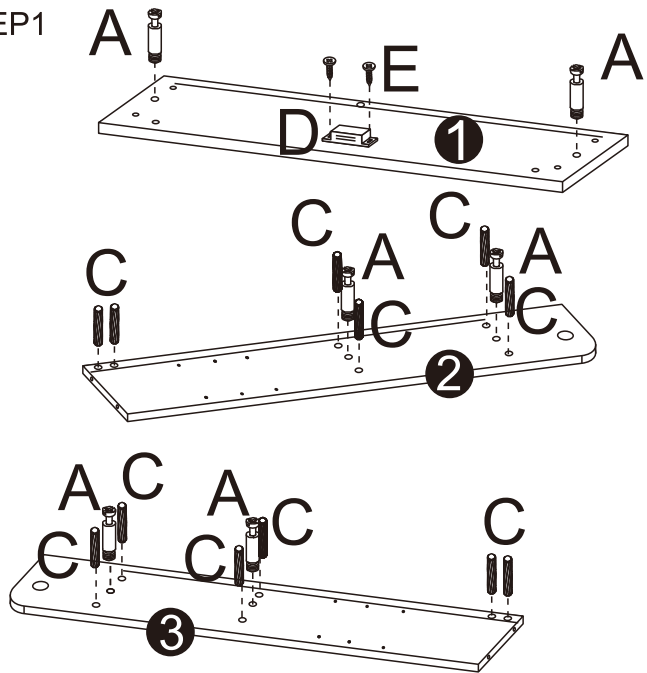
Assembly Instruction



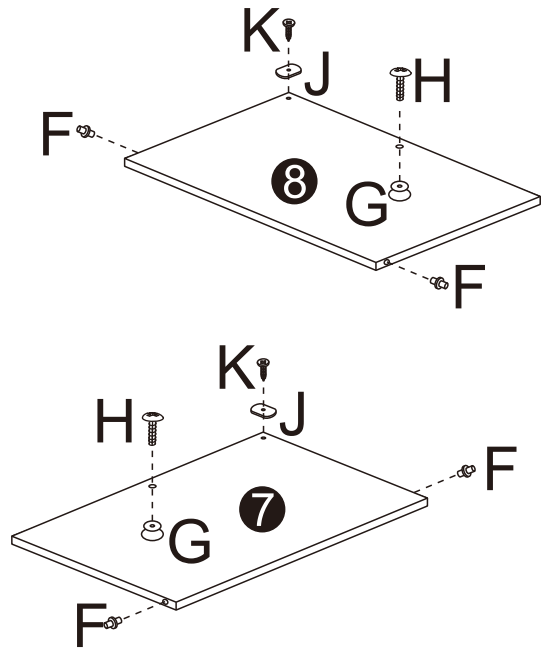
PARTS LIST

A=6PCS  M6x35mm	B=6PCS  M15x10mm	C=17PCS  M6x30mm	D=1PC 
E=2PCS  M3x14mm	F=4PCS 	G=2PCS 	H=2PCS  M4x20mm
I=4PCS 	J=2PCS 	K=2PCS  M3x10mm	L=1PC 
M=2PCS  M4x40mm	N=2PCS 		

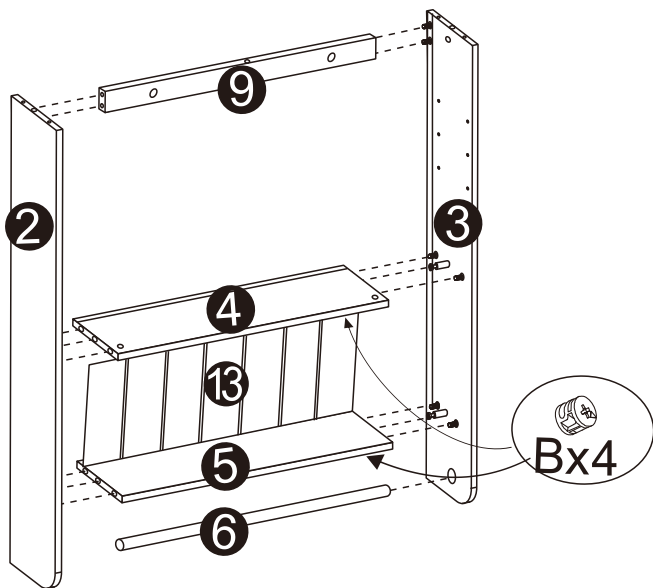
STEP1



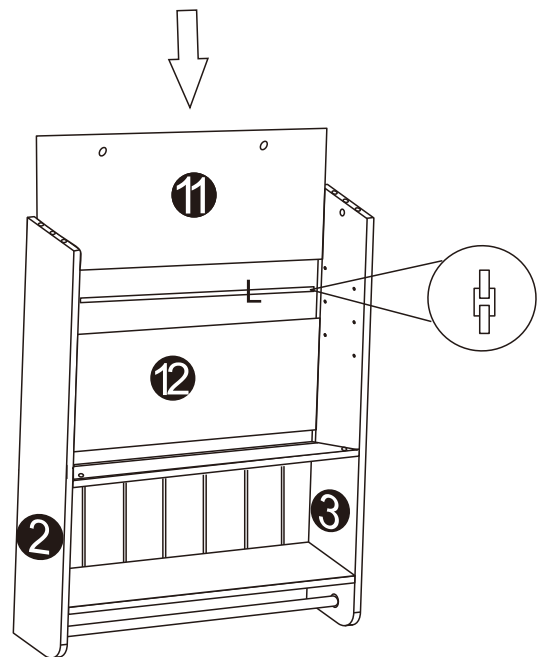
STEP2



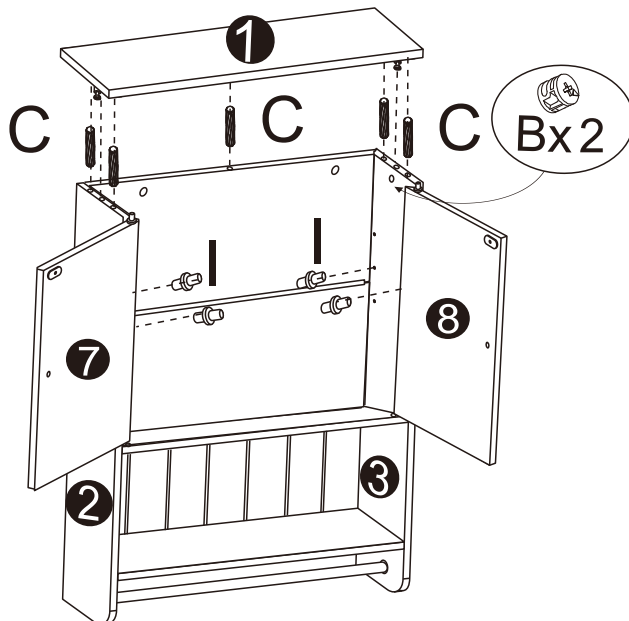
STEP3



STEP4



STEP5



STEP6

