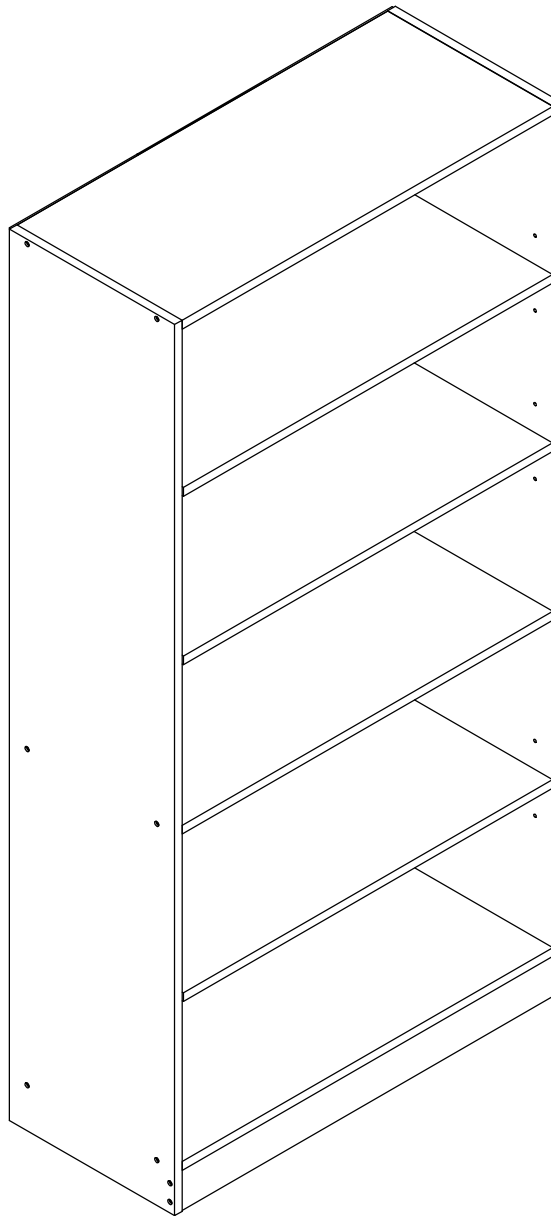


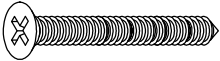

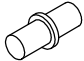
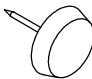


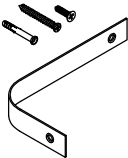


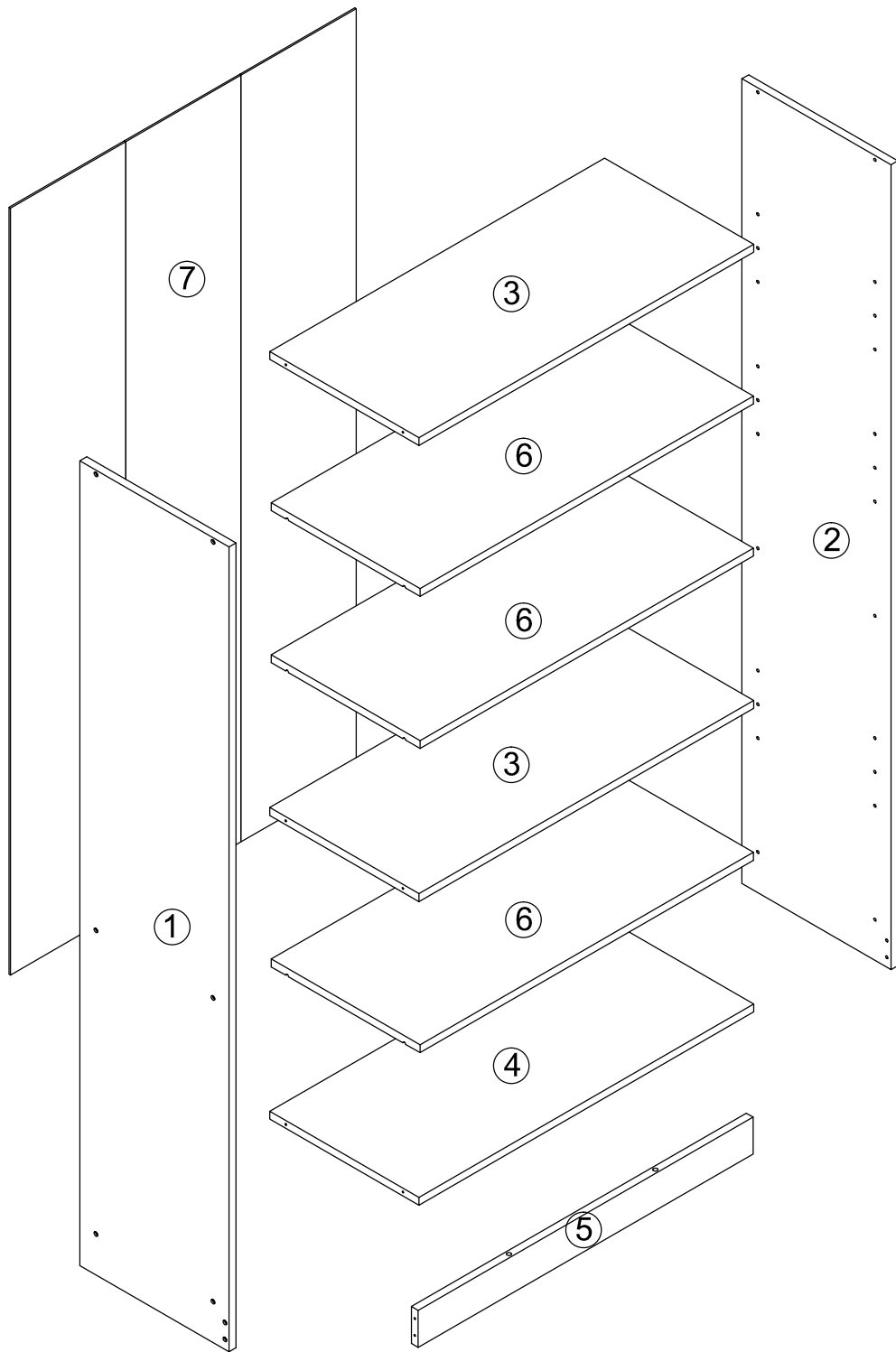
Bookcase, 5-Tier  
 SKU:QI004621  
 Assembly Instructions



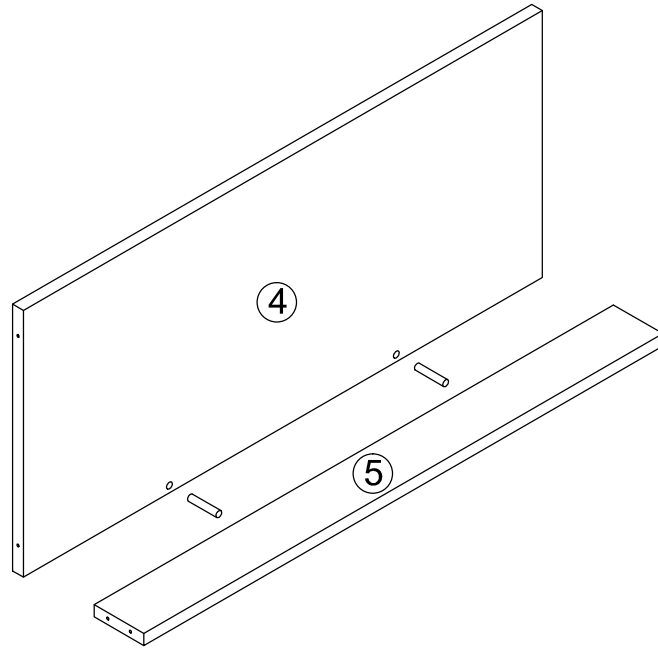
www.quickwayimports.com  
 info@quickwayimports.com



 M4*35	 Ø8*40	 C*12	 D*5	 E*32
A*16	B*2	C*12	D*5	E*32
 Ø15	 G*1			
F*16	G*1			

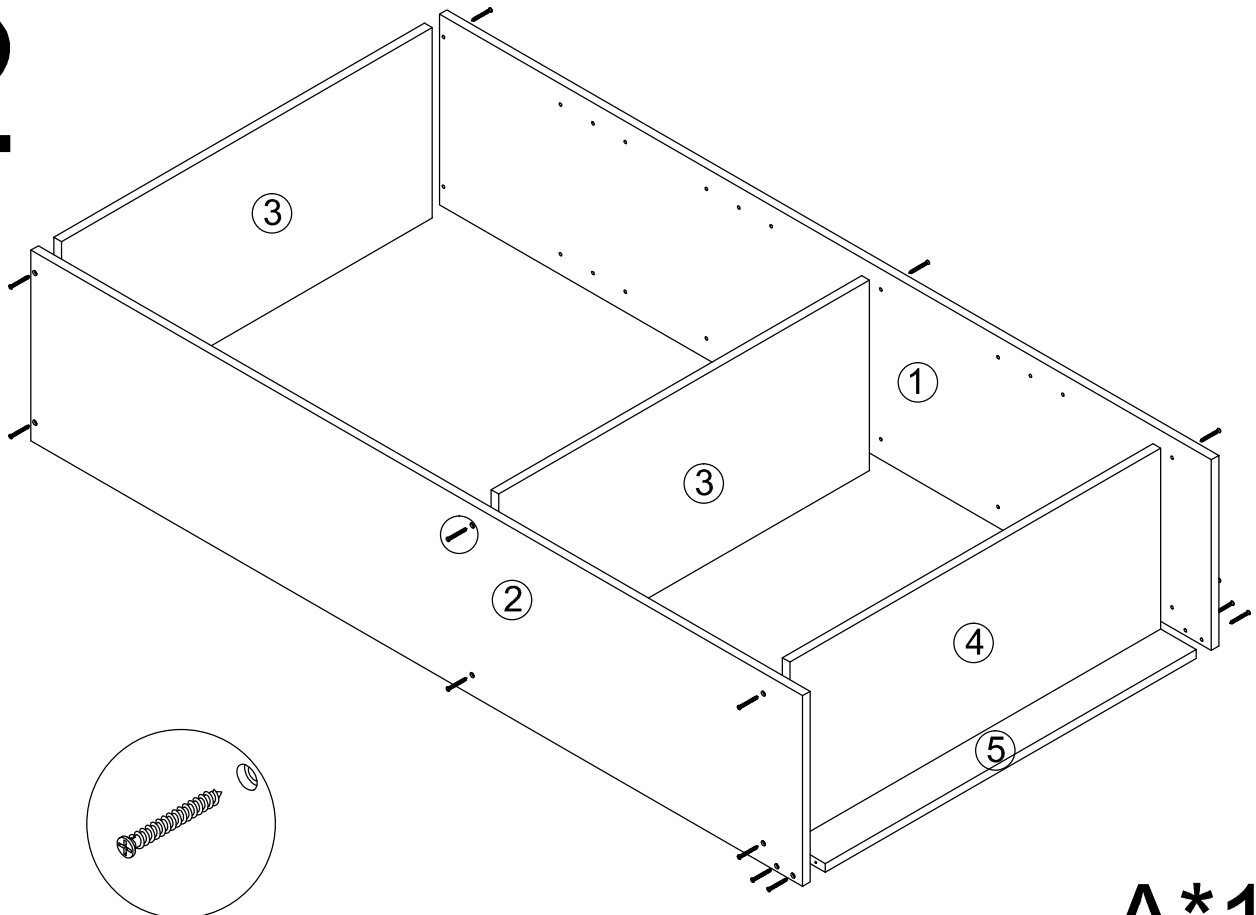


# 1



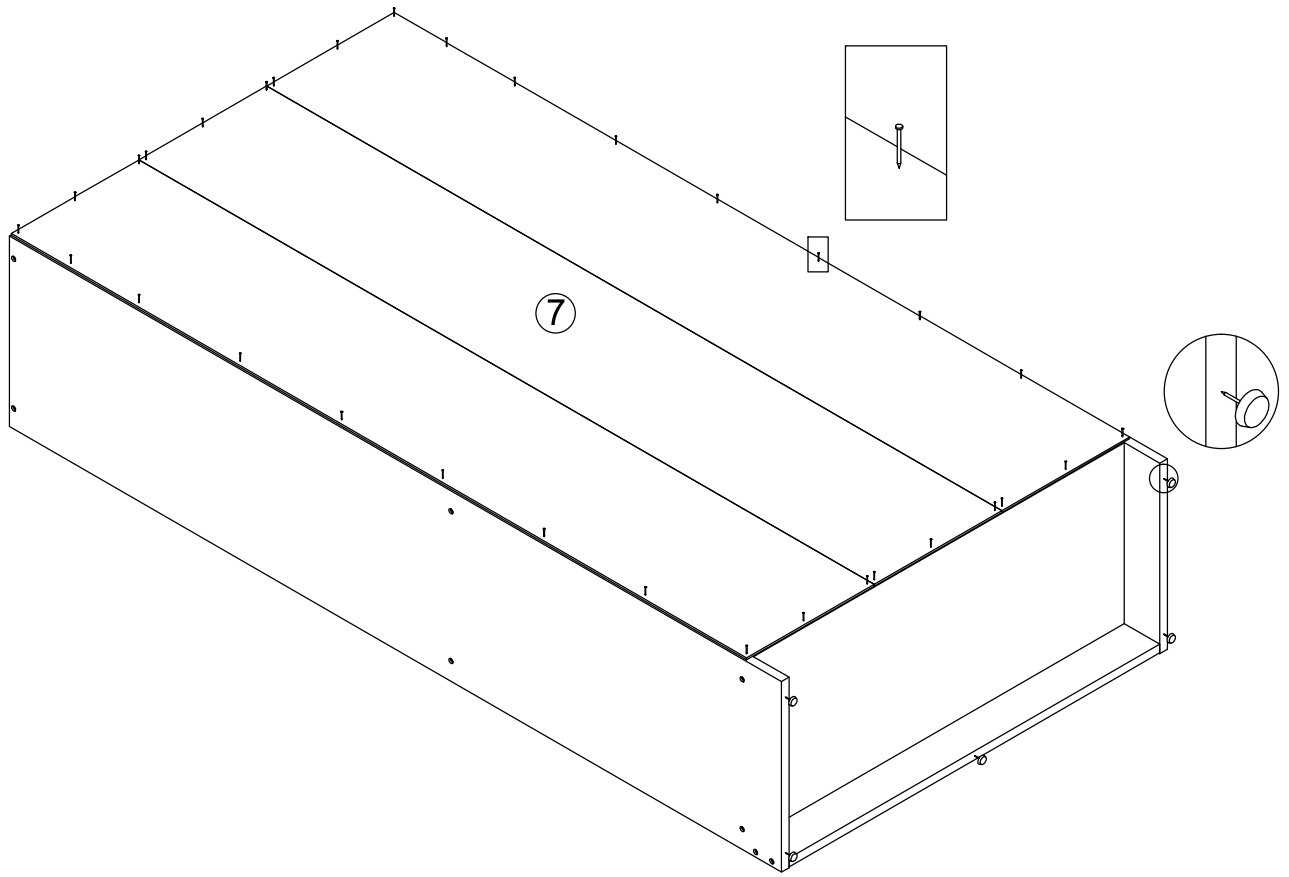
B\*2

# 2



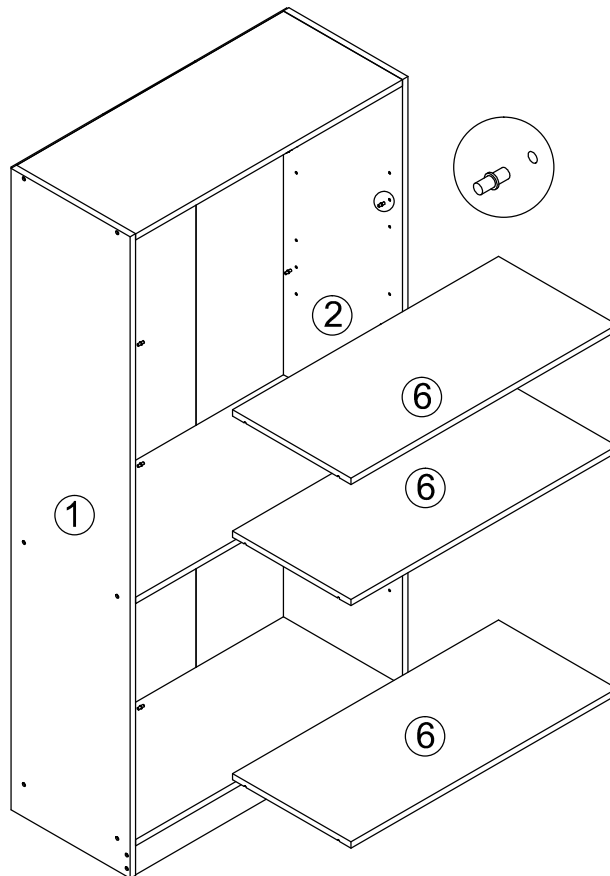
A\*16

# 3



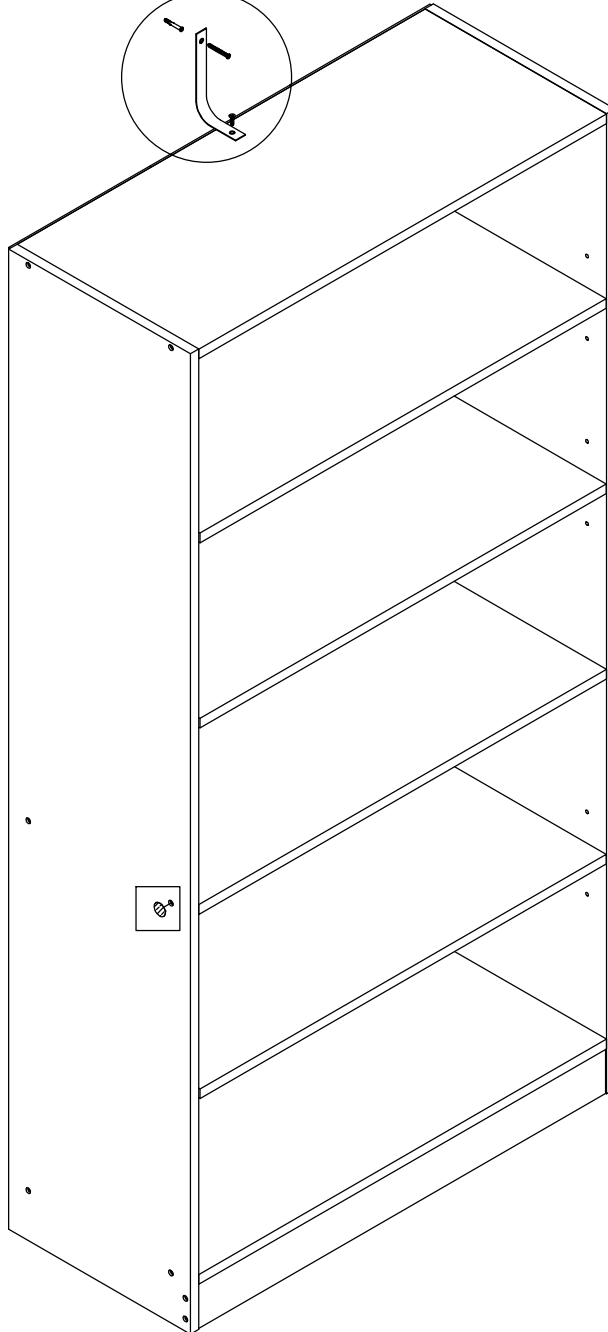
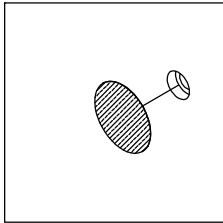
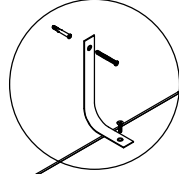
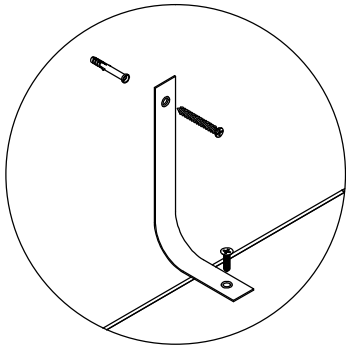
**D\*5+E\*32**

# 4



**C\*12**

# 5



F\*16+G\*1