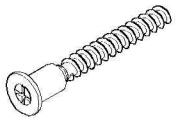
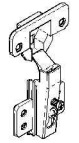





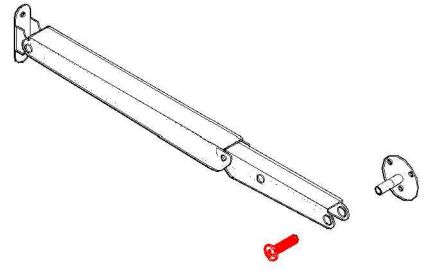
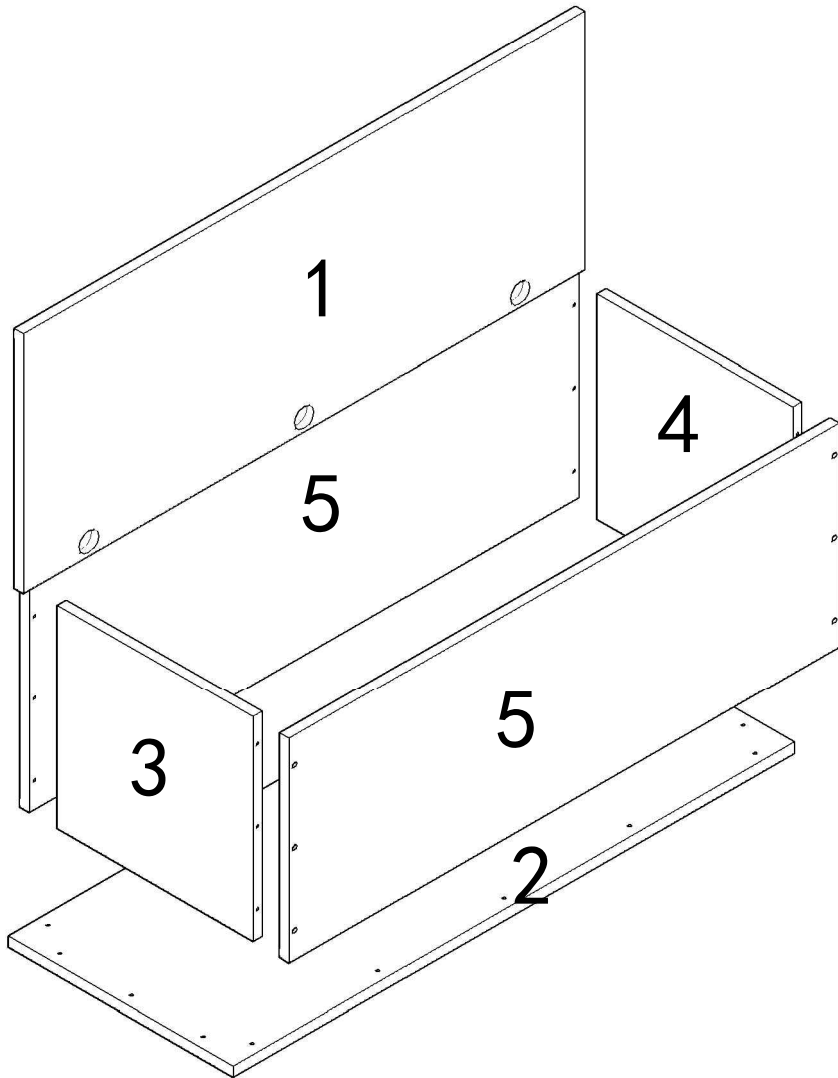
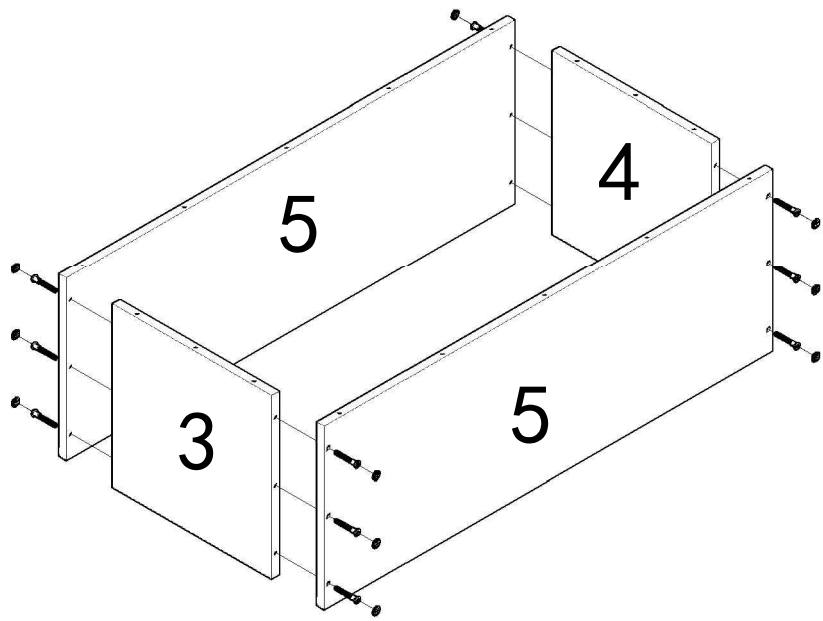


NO.	QTY.	L I N E D R A W I N G
A	28	
B	3	
C	5	 3.5*30
D	23	 3.5*14
E	5	
F	28	
G	3	
H	1	



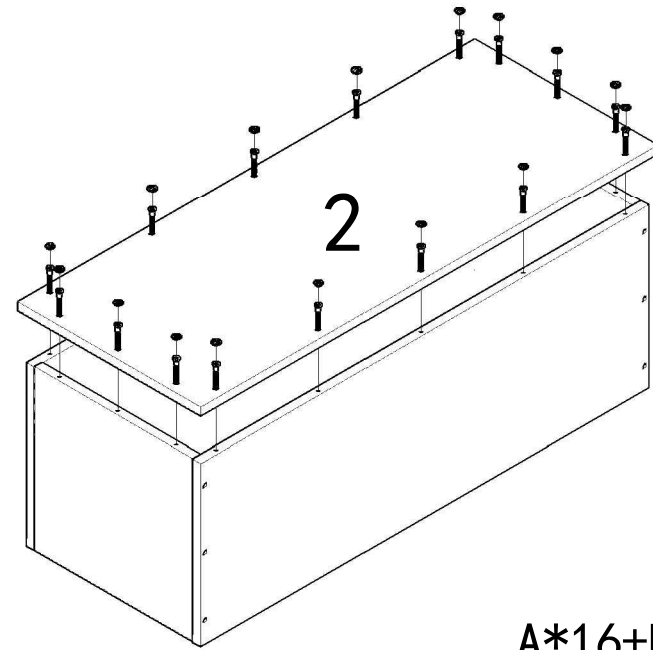
NO.	QTY.	L I N E D R A W I N G
1	1	
2	1	
3	1	
4	1	
5	2	

1



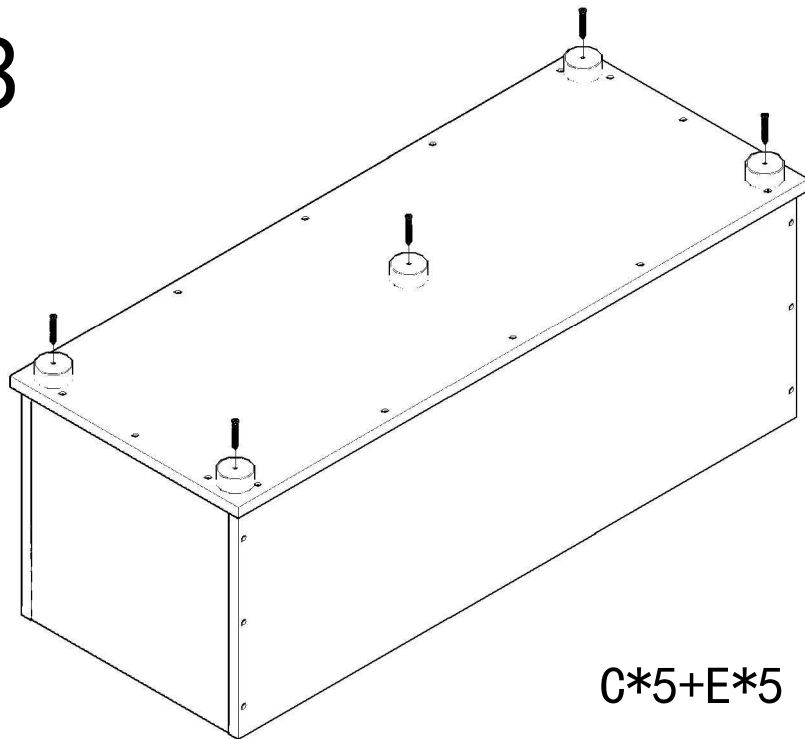
$A*12+F*12$

2



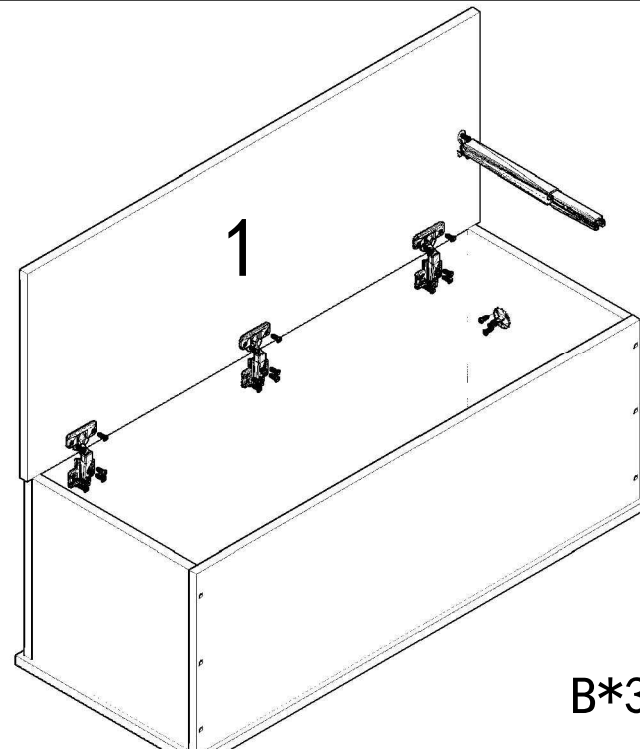
$A*16+F*16$

3



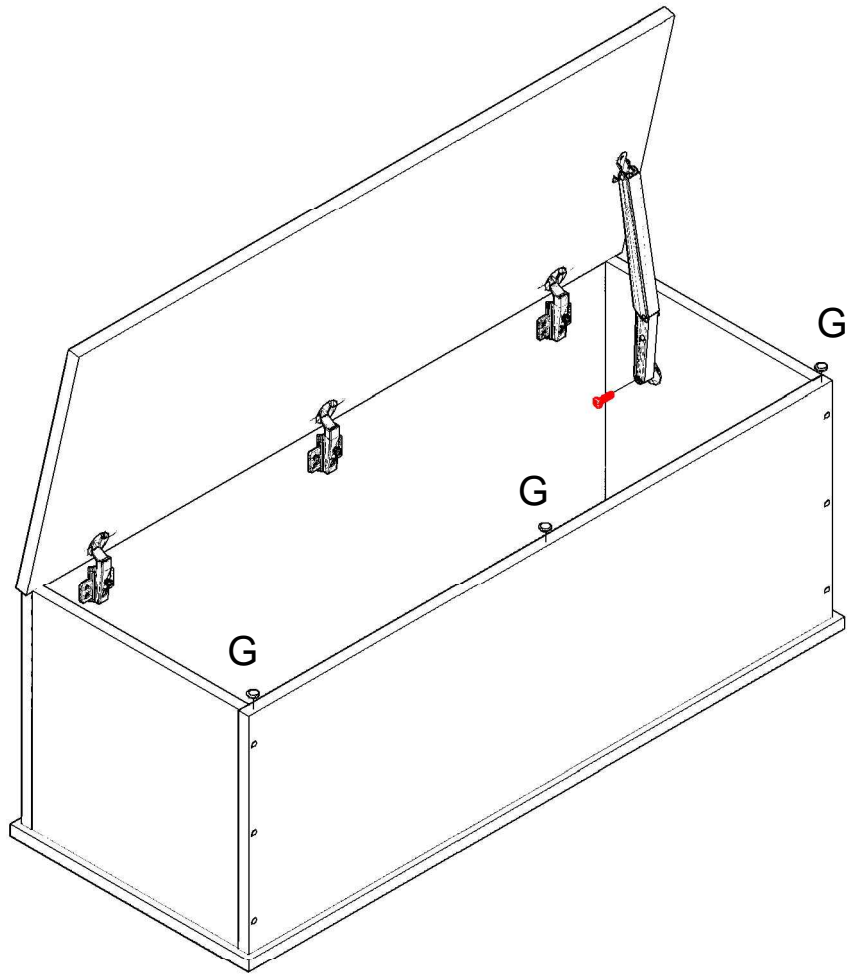
$C*5+E*5$

4



$B*3+D*23+H*1$

5



G*3

6

