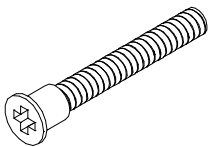
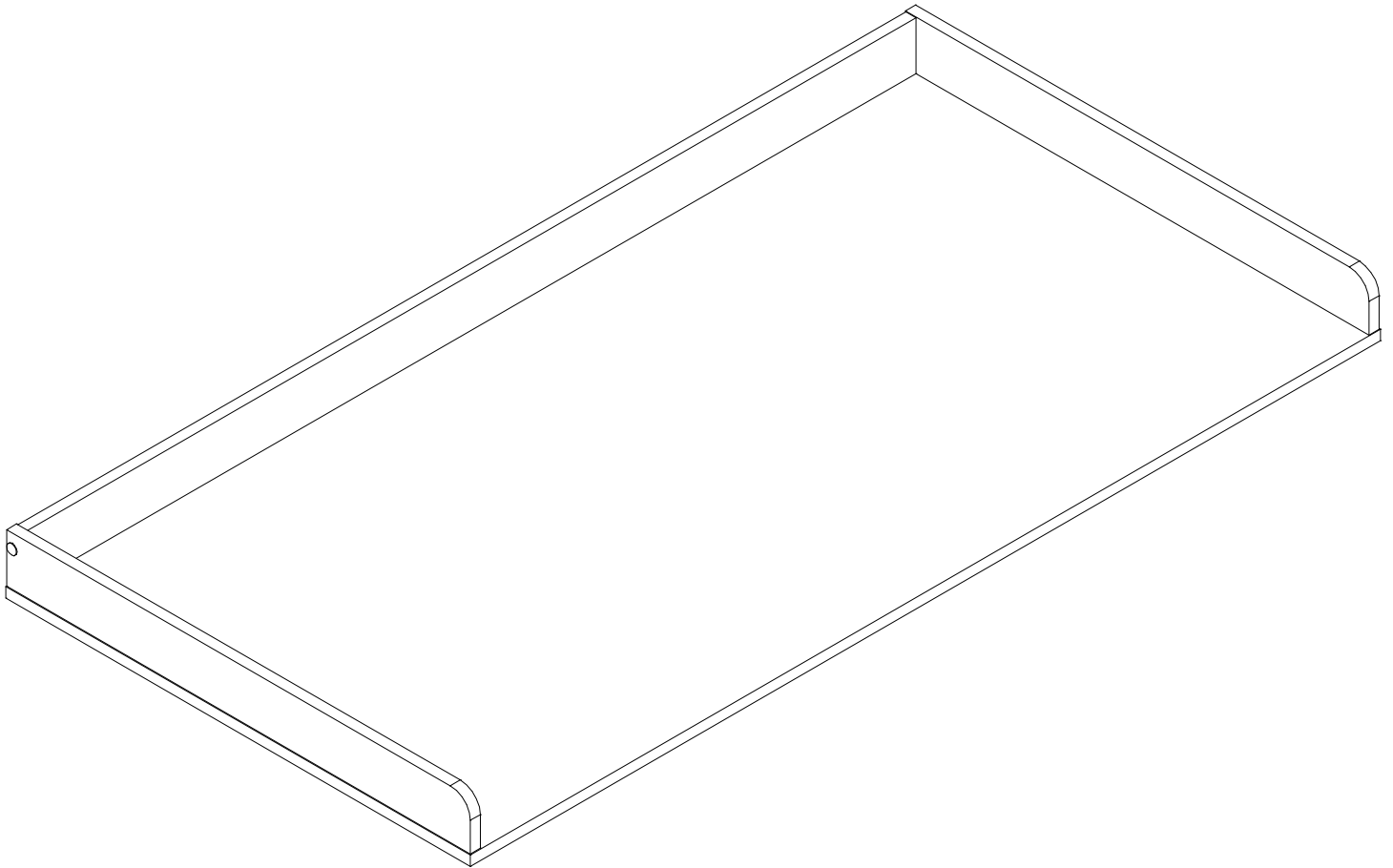
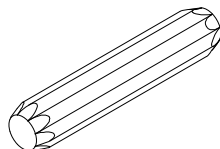


Over Washer & Dryer Shelf – 54"
Assembly Instructions
Q1005001



φ7*50

A × 12



φ8*40

B × 9



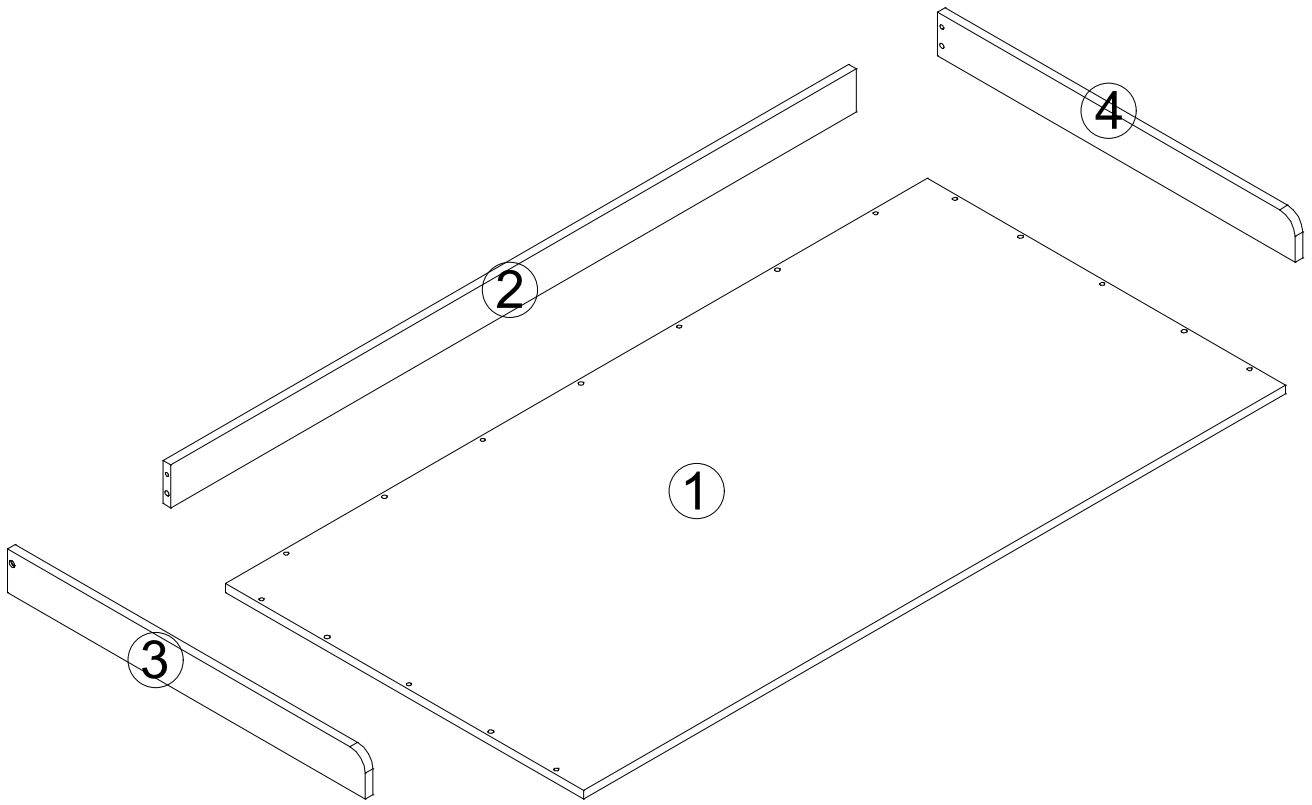
φ15

C × 12

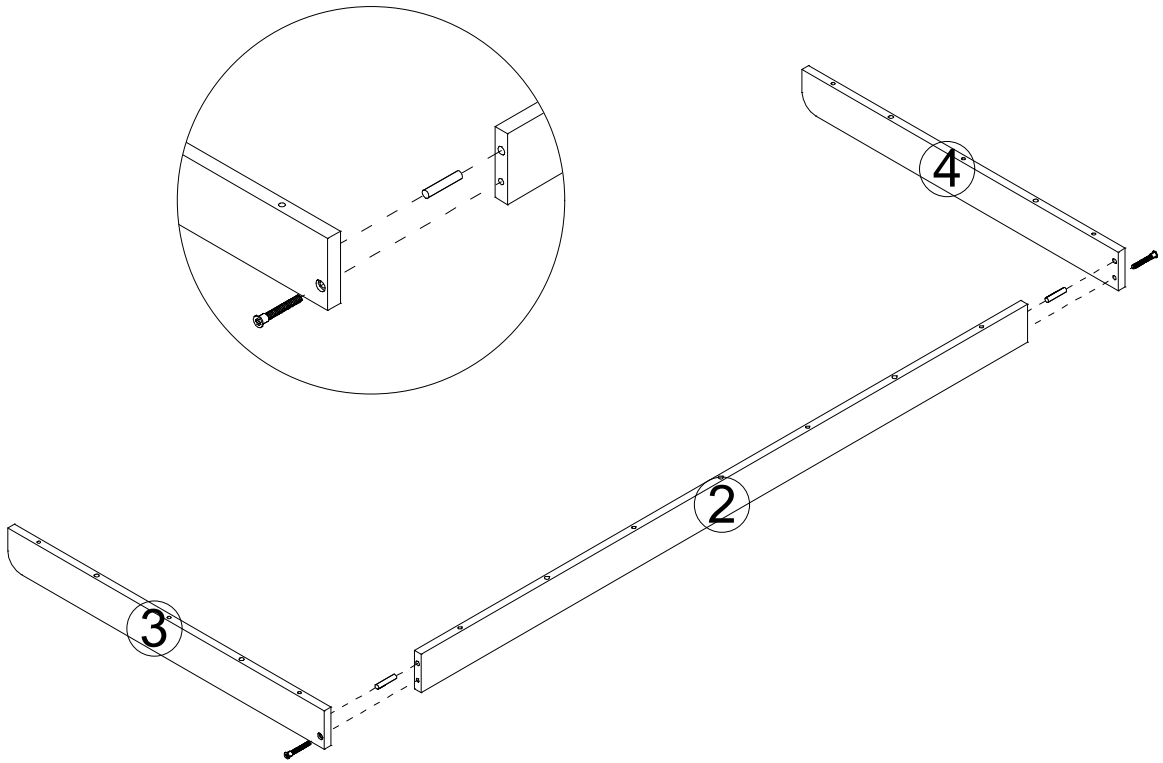


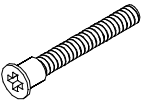
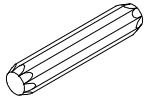
φ20

D × 16

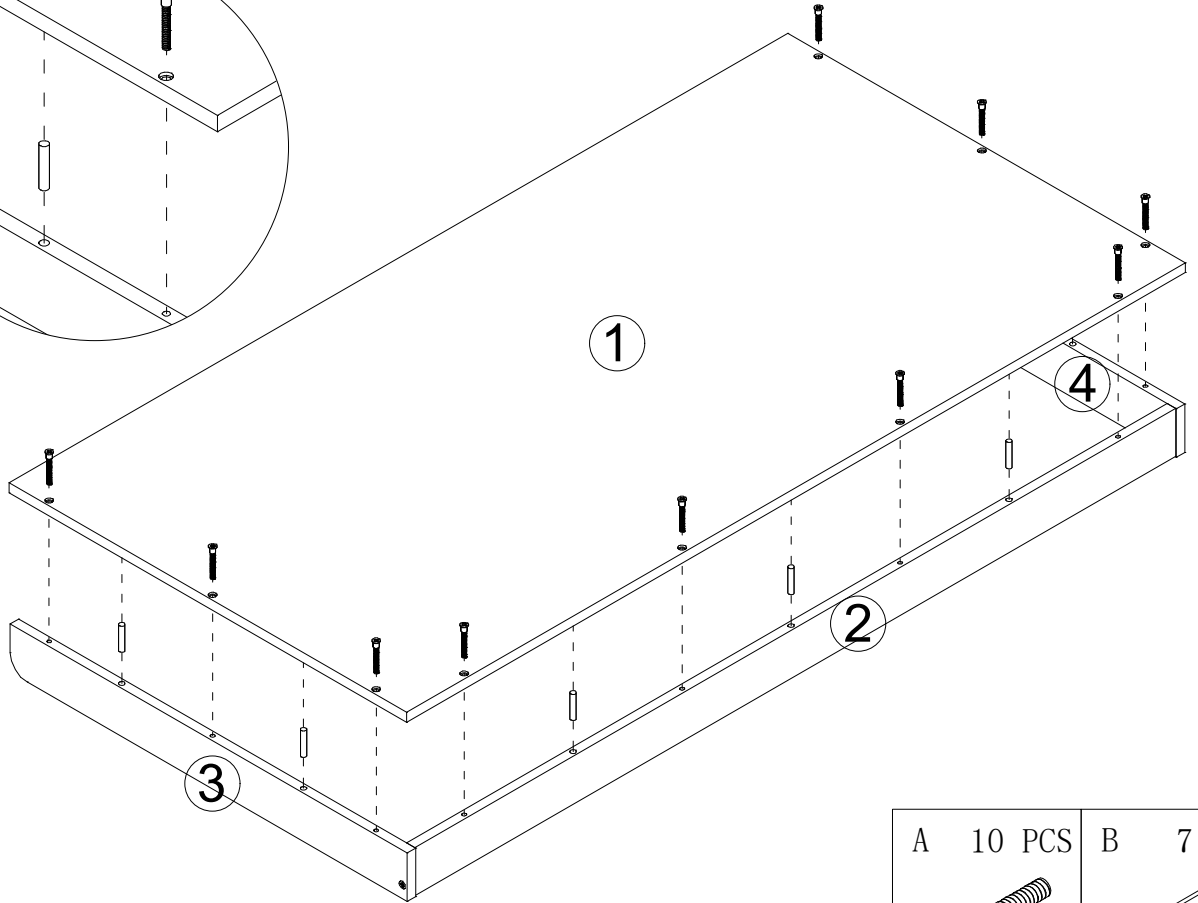
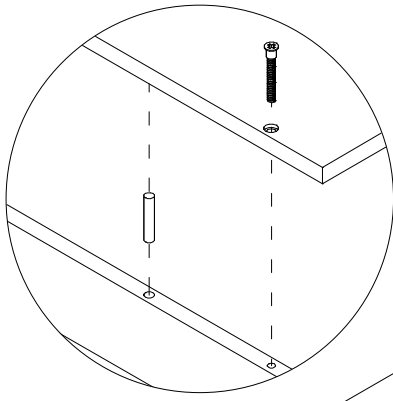


1



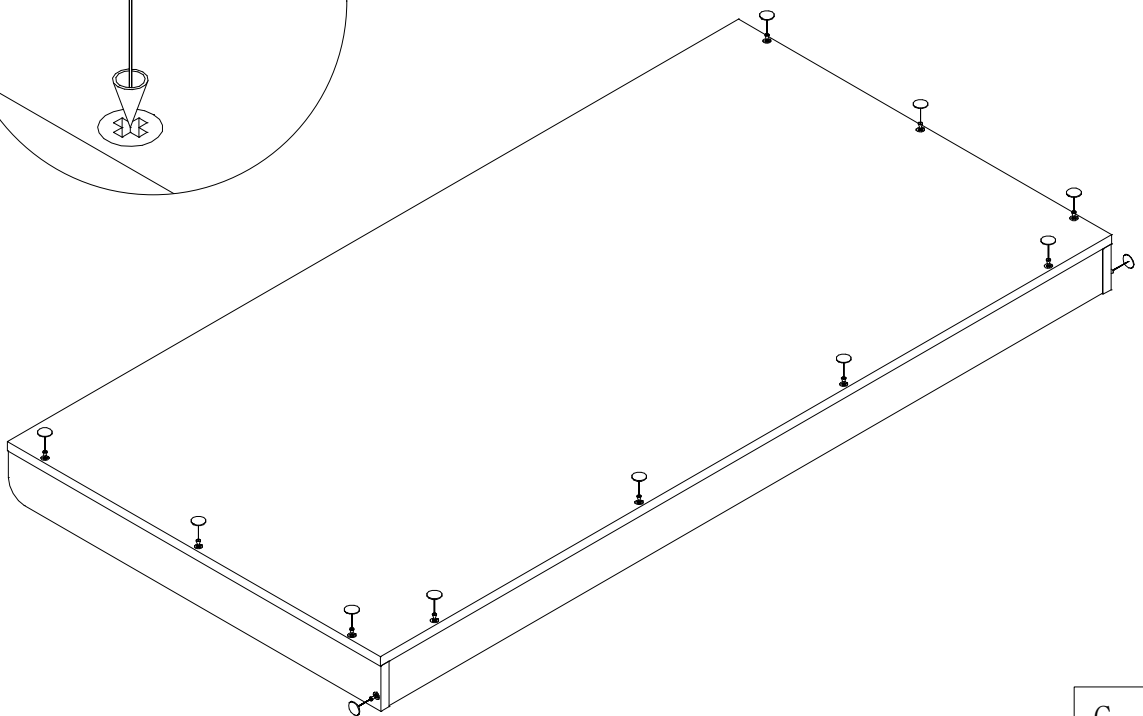
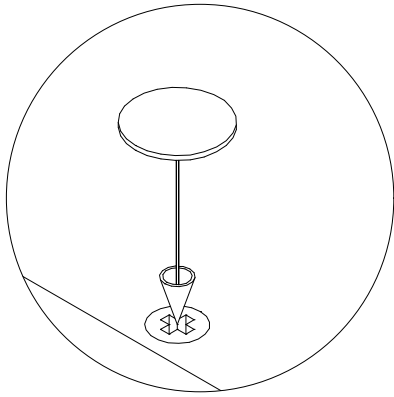
A	2 PCS	B	2 PCS
			

2



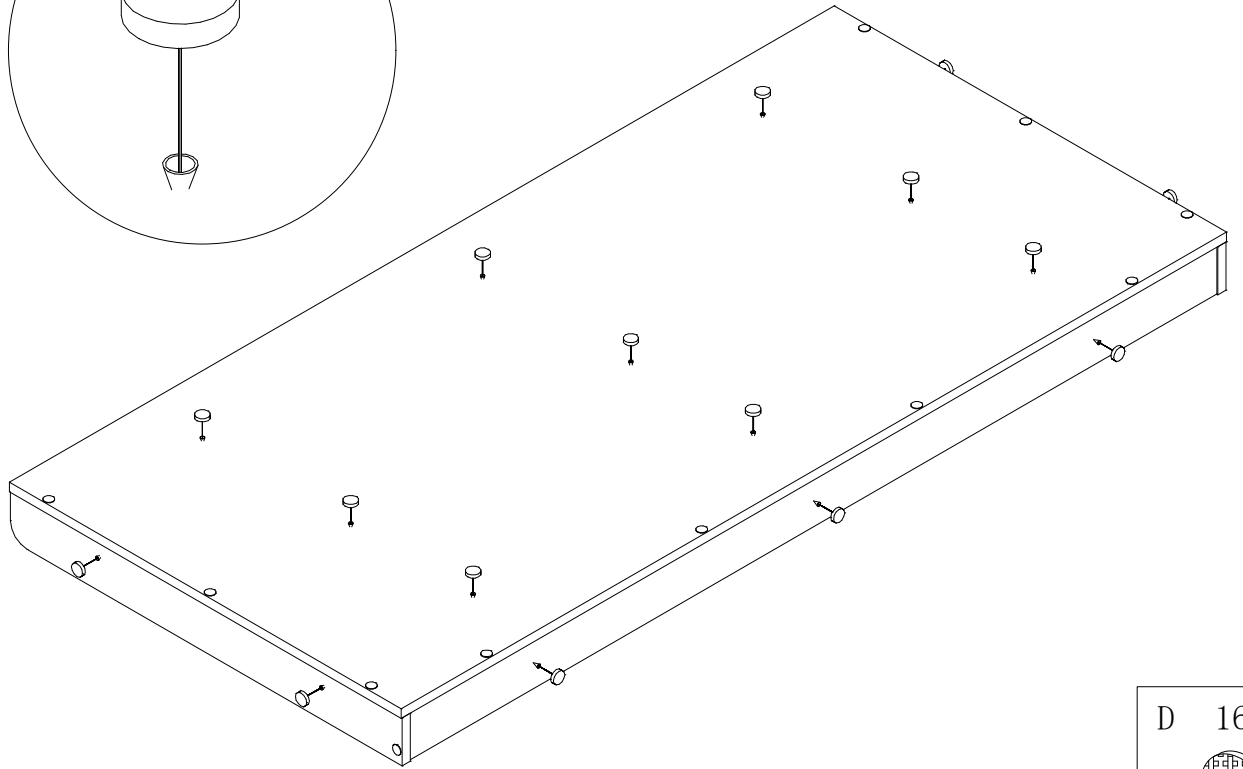
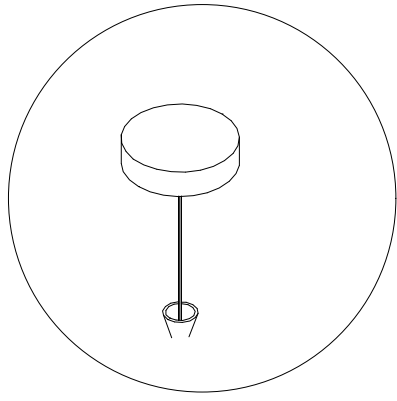
A	10 PCS	B	7 PCS

3



C	12 PCS

4



D 16 PCS



5

