

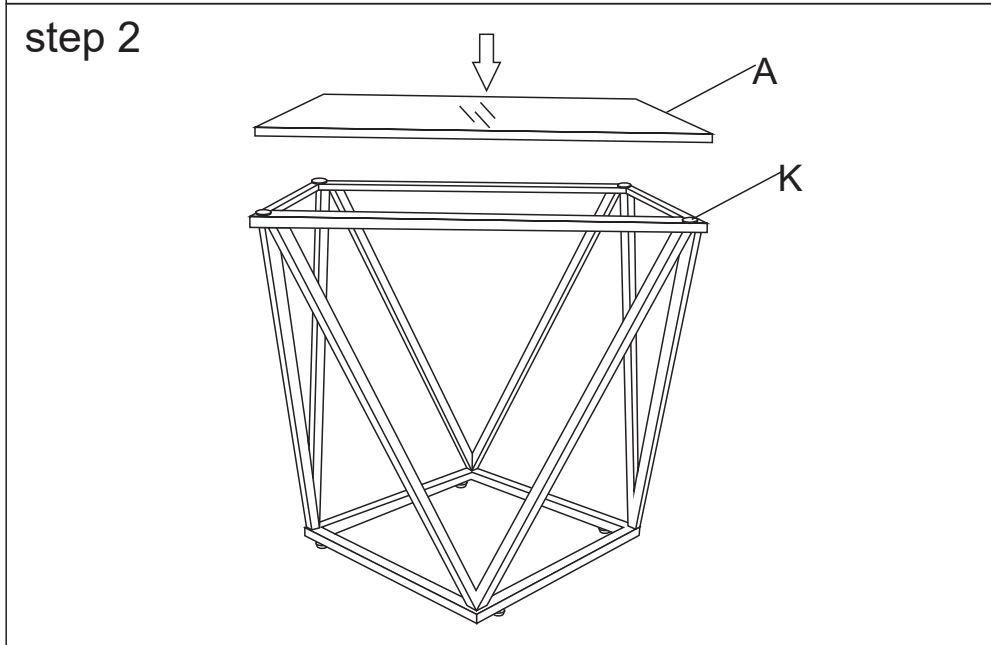
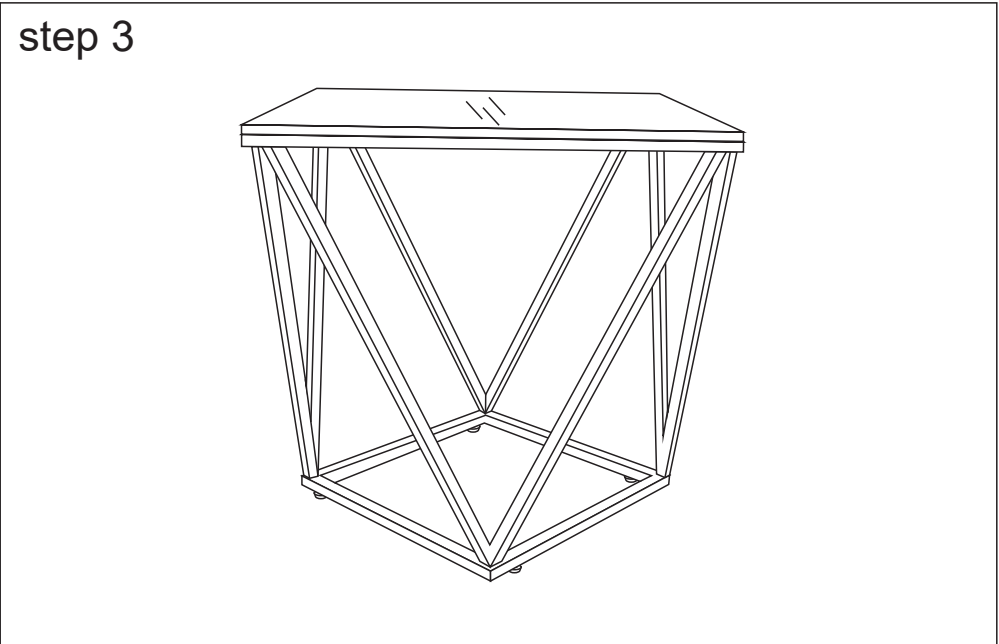
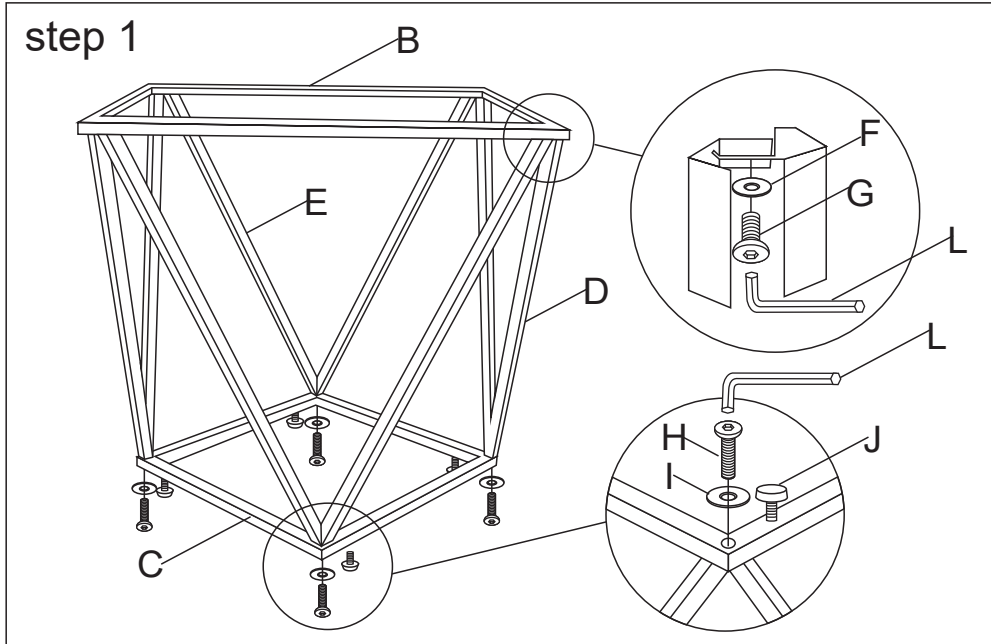


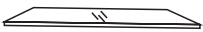

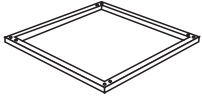
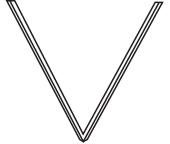
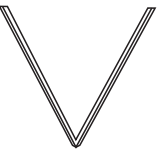





BOLD TONES

SKU: QI003580

Assembly Instructions

By:  **Quickway Imports** inc.
www.quickwayimports.com
info@quickwayimports.com



Ax1 	Bx1 	Cx1 	Dx2 
Ex2 	Fx8 	Gx4 	Hx4 
Ix4 	Jx4 	Kx4 