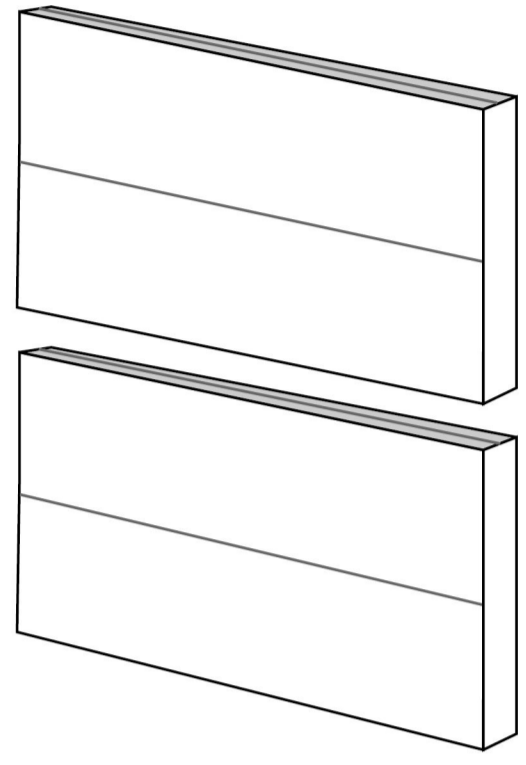
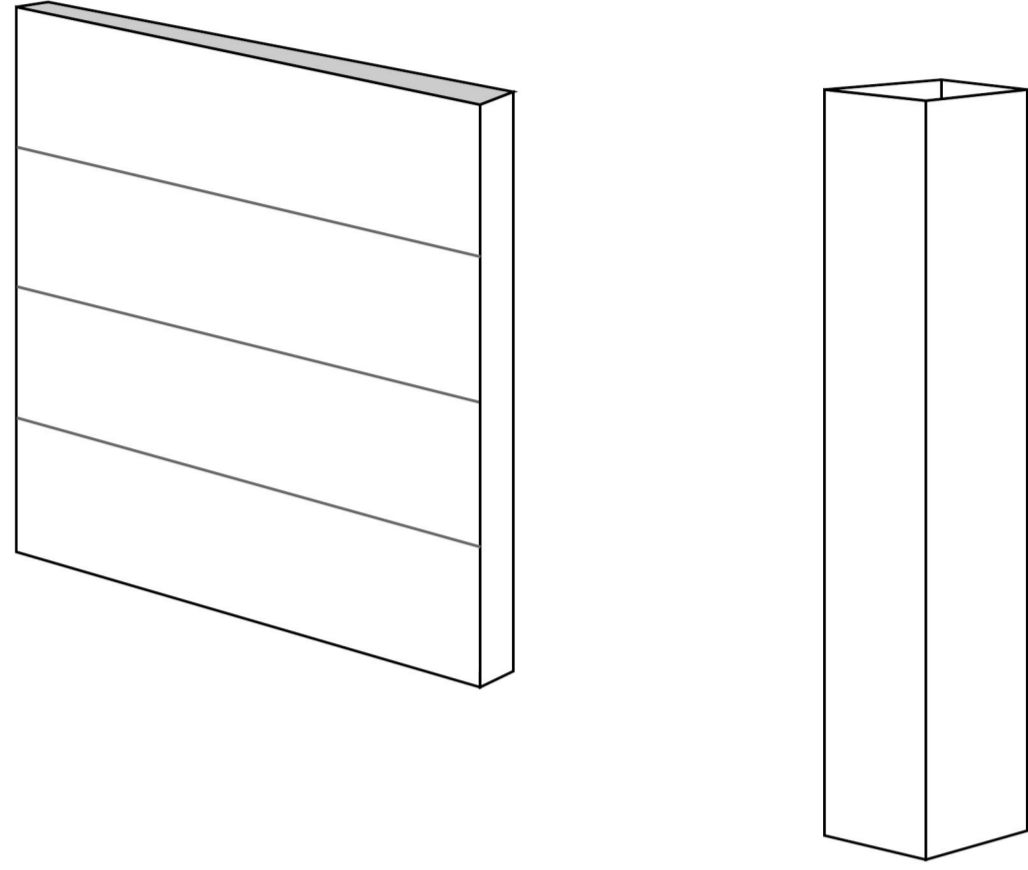


Installation steps:

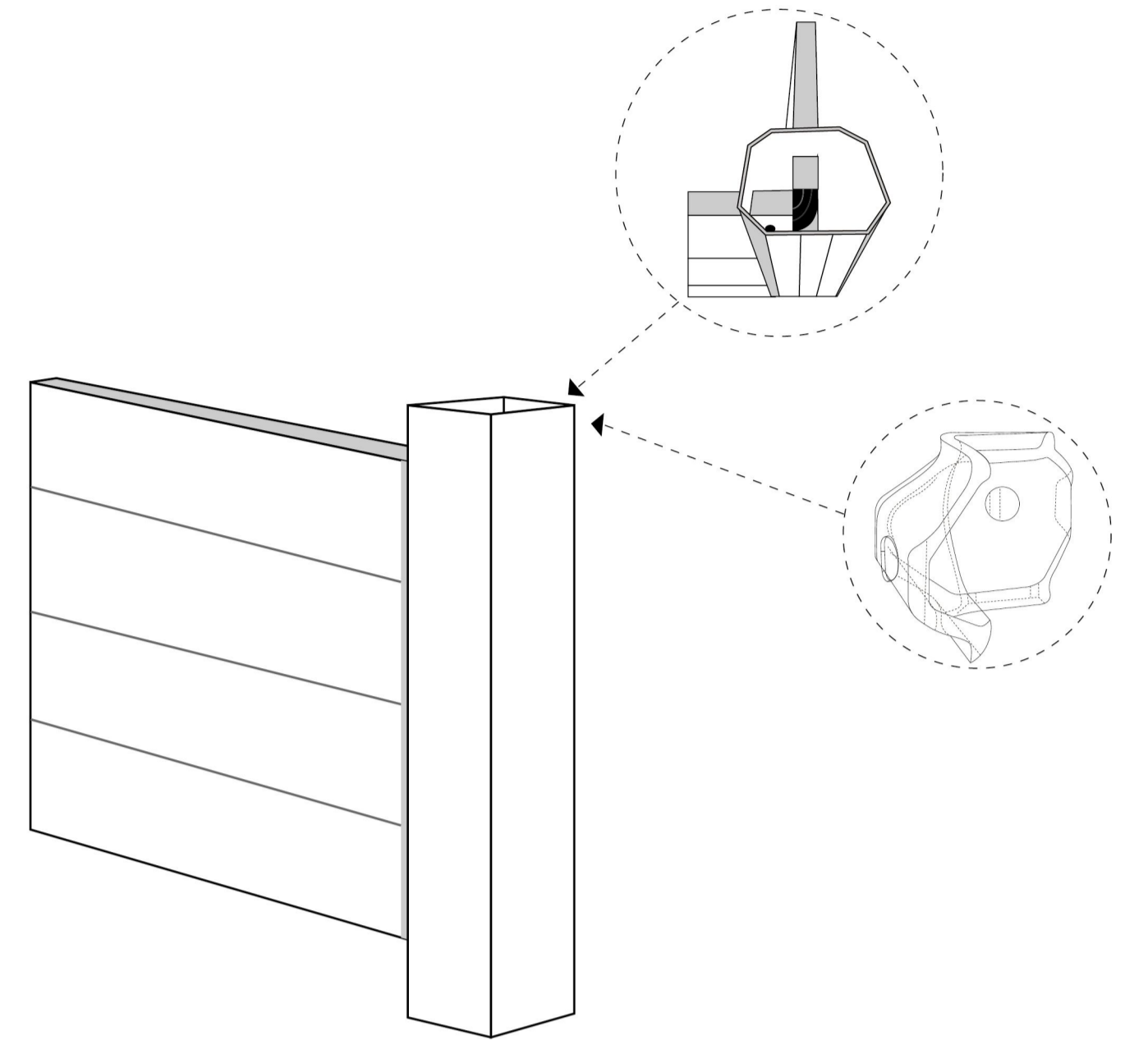
1. Determine the location you would like to build the garden box
2. Identify 4 top side panels and 4 bottom side panels
3. Connect each top side panel to a bottom side panel by sliding them together.



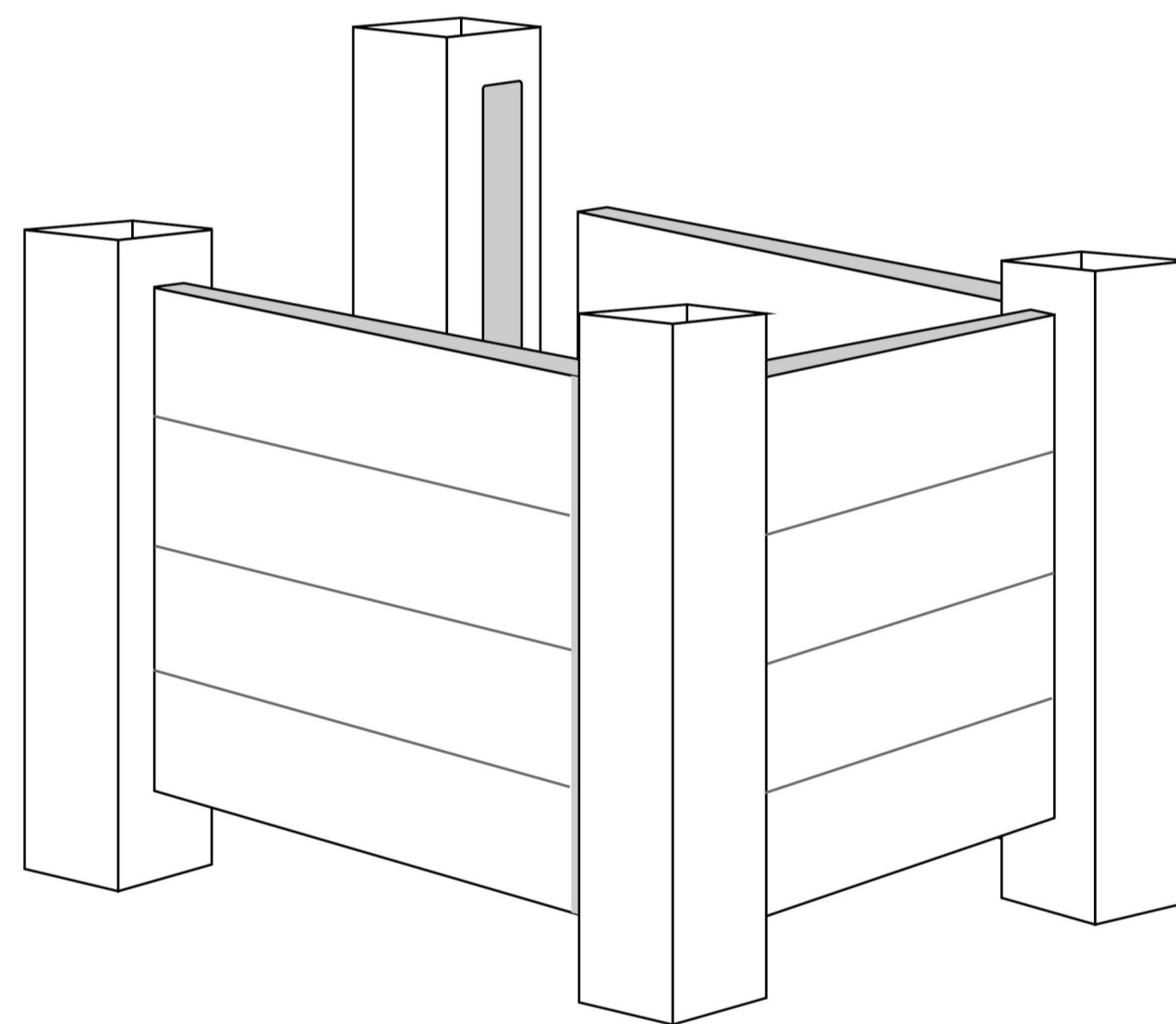
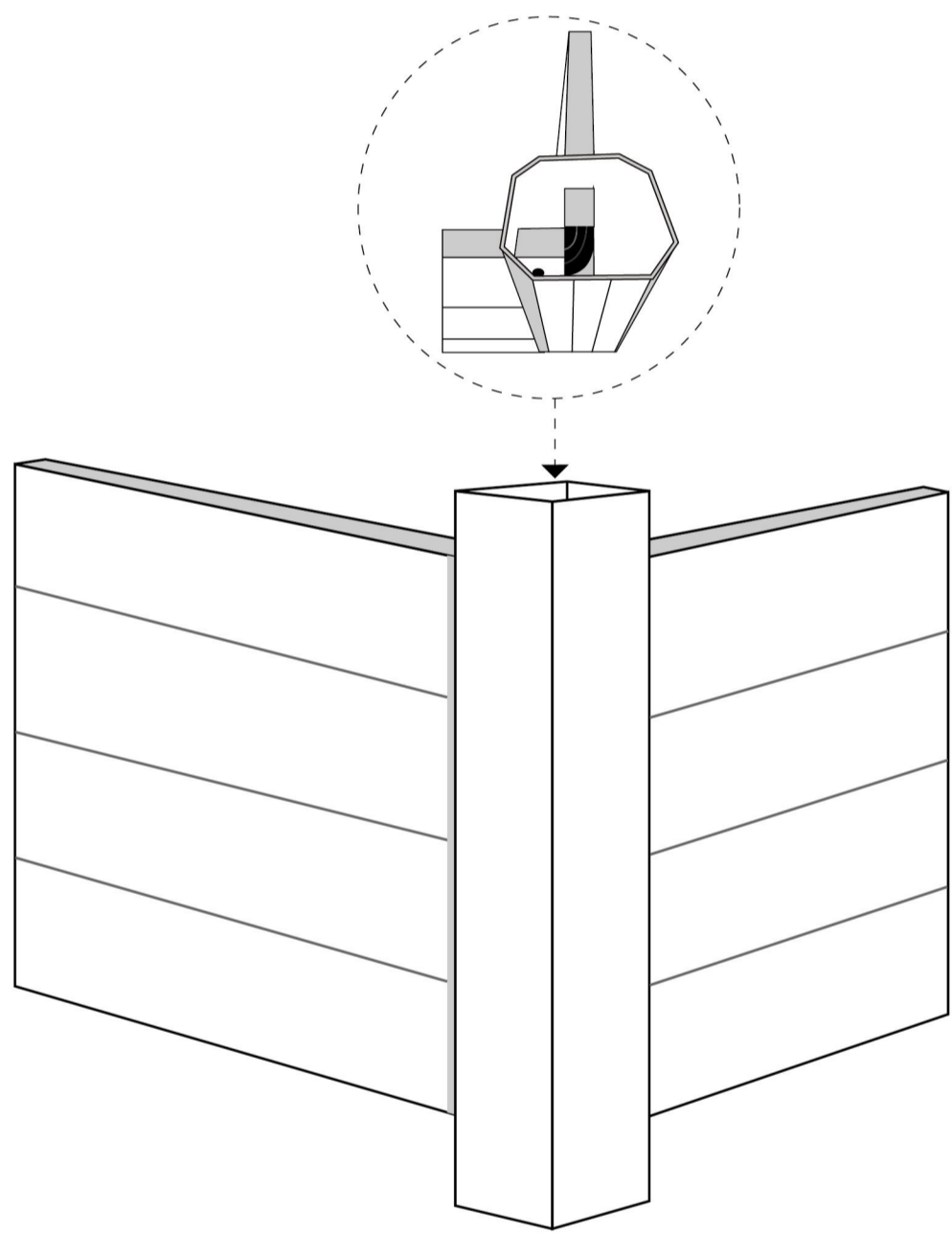
4. Take one post, push the connected panels through an open slot



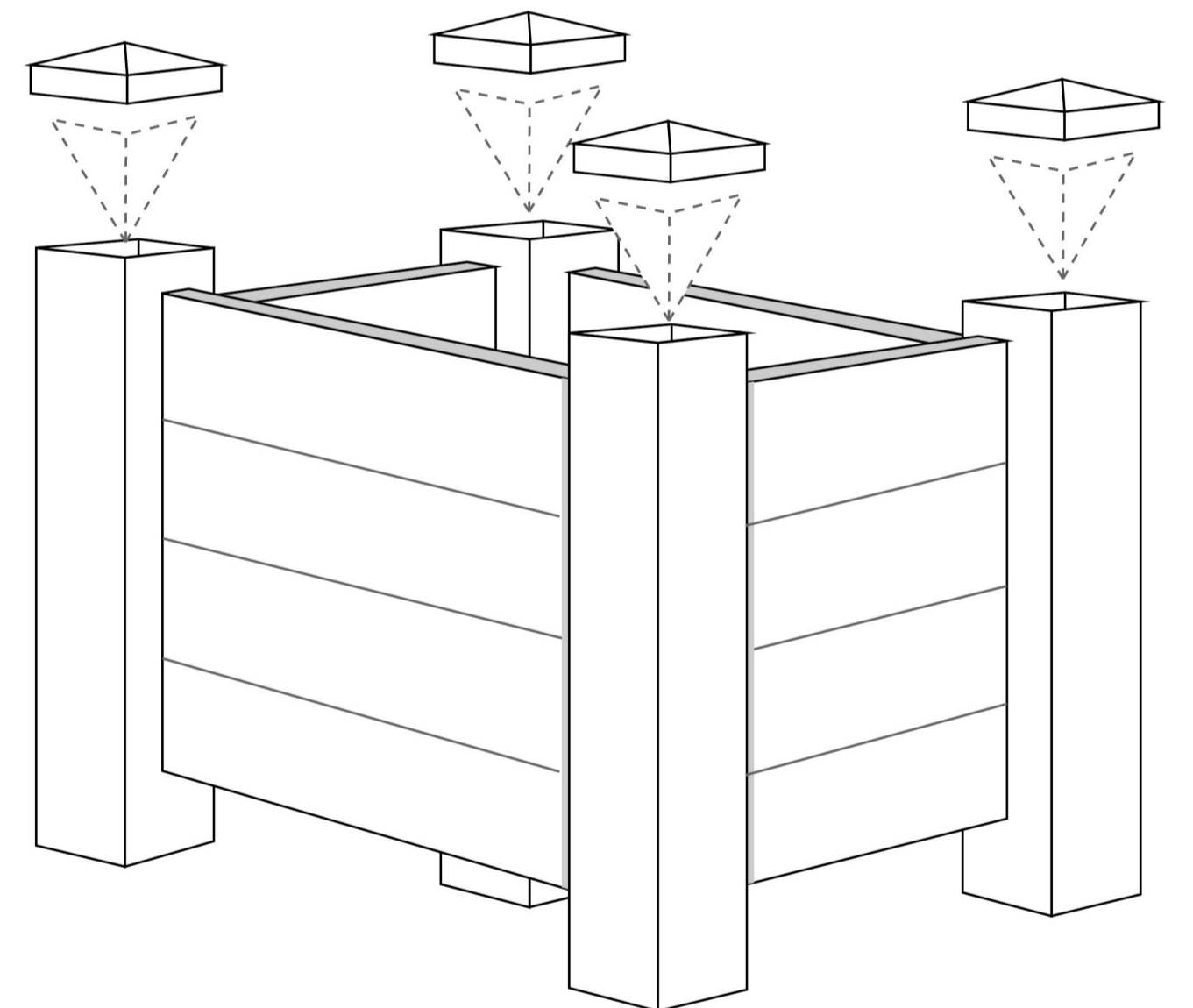
5. Take a corner connector and push into the top side panel, make sure the lock button pushed through the provided lock tab



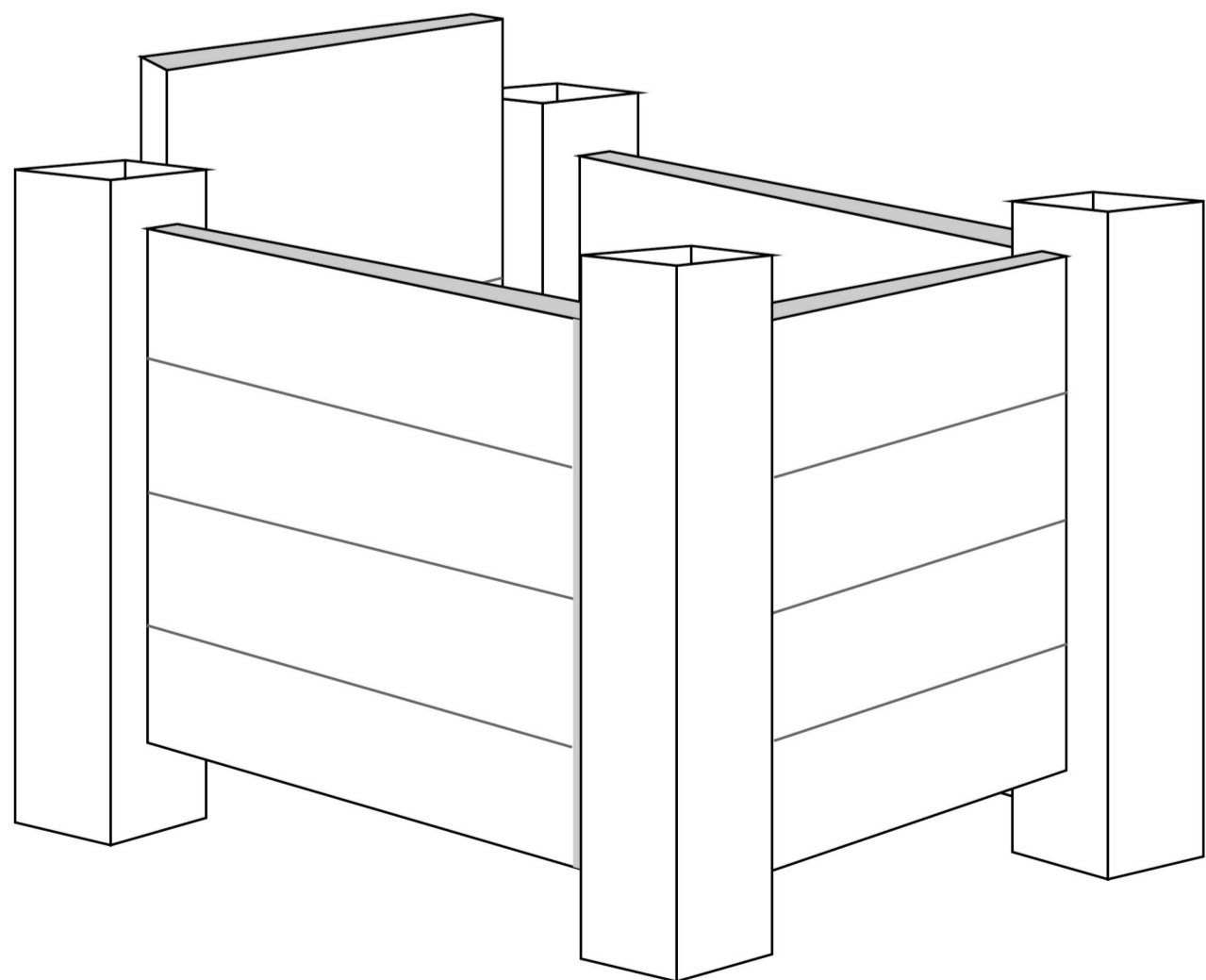
6. Pick up a second side panels and push through the second slot of the same post, lock the 2 sides together by the same corner connector



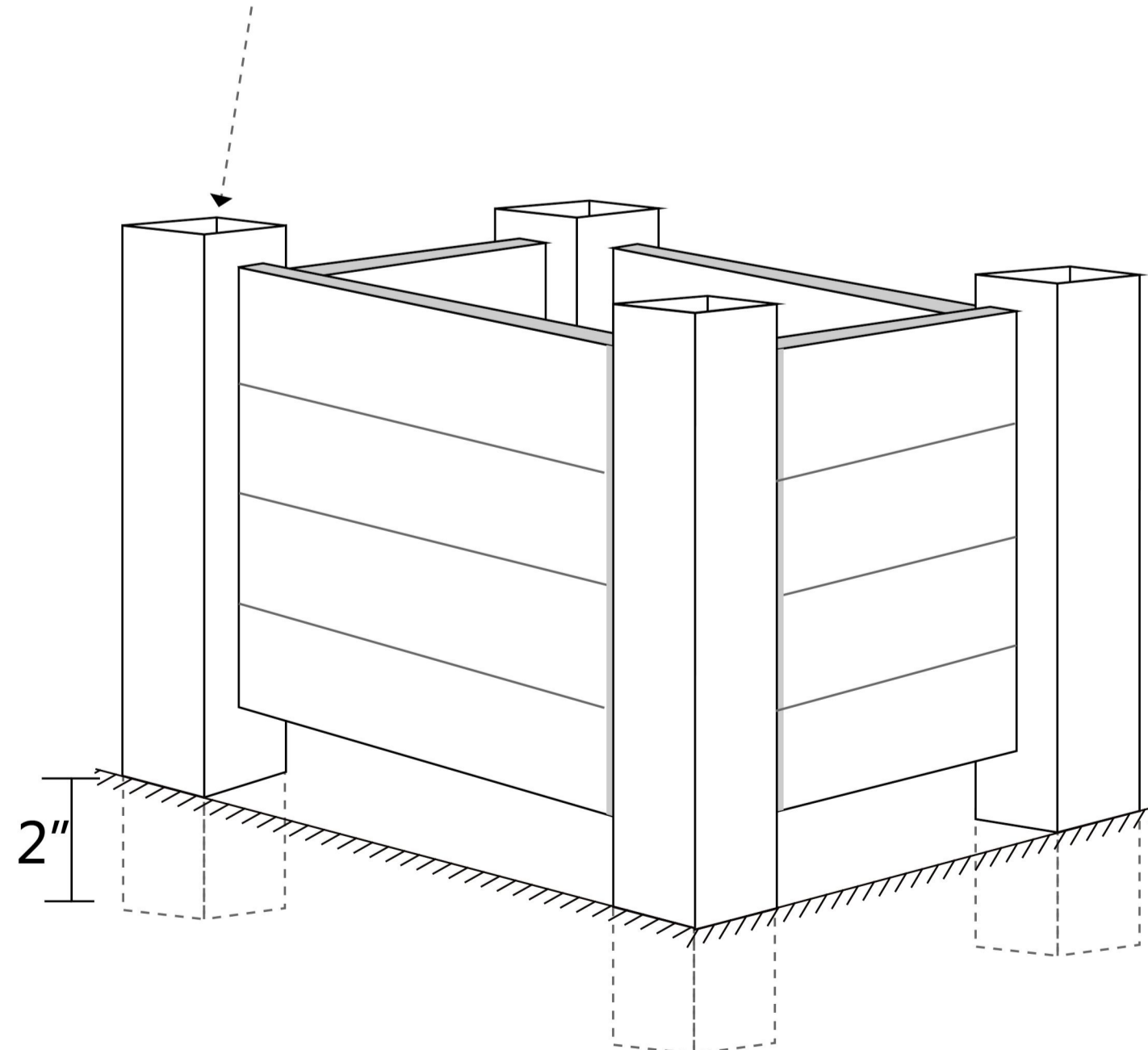
- 9) Place 4 post caps



7. Repeat step 3 to step 6 until connected all sides



8. Push the posts into the ground roughly 2 inches in depths



- Garden Box Contents:
- A. 4 top side panels
 - B. 4 bottom side panels
 - C. 4 corner posts
 - D. 4 corner connectors
 - E. 4 post caps