

THE ASSEMBLY AND SAFETY INSTRUCTIONS



HD Wheeled Snow Shovel

READ THE ASSEMBLY AND SAFETY INSTRUCTIONS BEFORE USING!

Assembly

STEP 1

Before beginning assembly, you should have:

Assembly Tools

Philips Screwdriver



Hammer



Wrench or Pliers



Product Components

- A Blade Assembly
- B Blade Rotator
- C Wheel Yoke
- D Wheels (2)
- E Blade Tube Bracket
- F Handle Extension Tube
- G T-Handle
- H Wheel Covers (2)

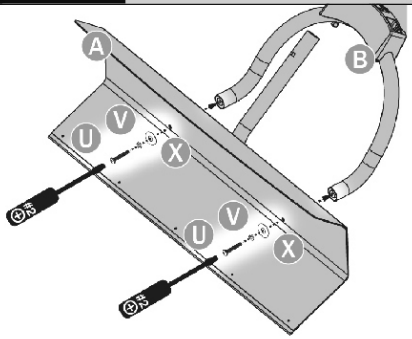


Hardware Pack

- S Carriage Screws **3X**
- T Long Screws **1X**
- U Medium Screws **2X**
- V Lock Washers **2X**
- W Chrome Pushcaps **2X**
- X Washers **2X**
- Y Self-Tap Screws **2X**
- Z Nylock Nuts **4X**

STEP 2

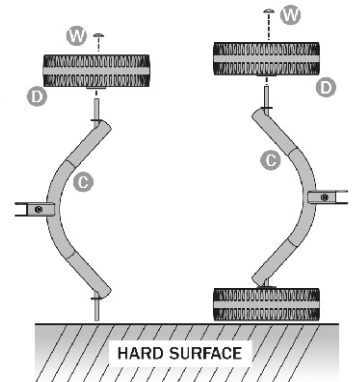
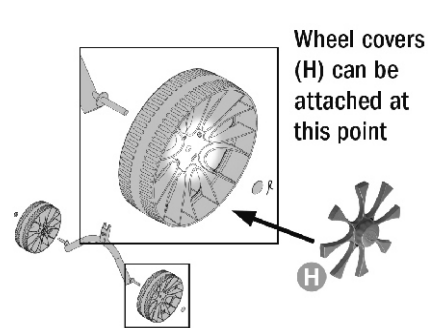
Attach Blade (A) to Rotator (B) with Medium Screws (U), Lock Washers (V) & Washers (X)



STEP 3

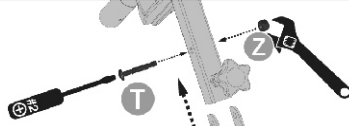
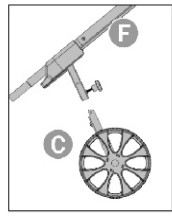
Attach Wheels (D) to Yoke (C) with Push caps (W)

IMPORTANT: Before installing pushcaps, verify that wheels are oriented correctly. The flat surfaces should face outwards.

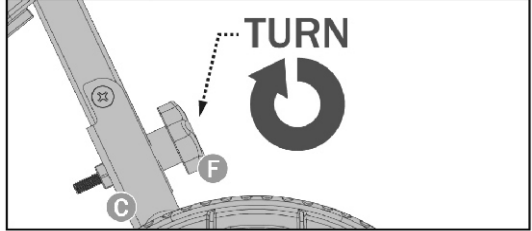


STEP 4

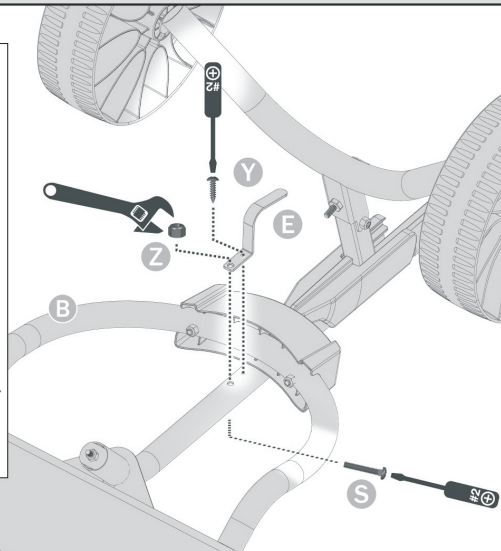
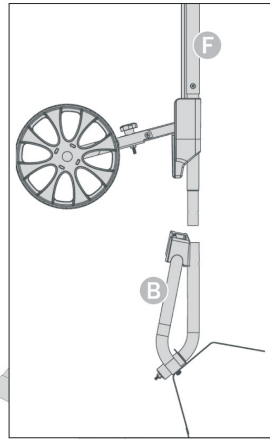
Attach Wheel Yoke (C) to handle extension tube (F) using a Long Screw (T) and Nylock nut (Z)

**STEP 5**

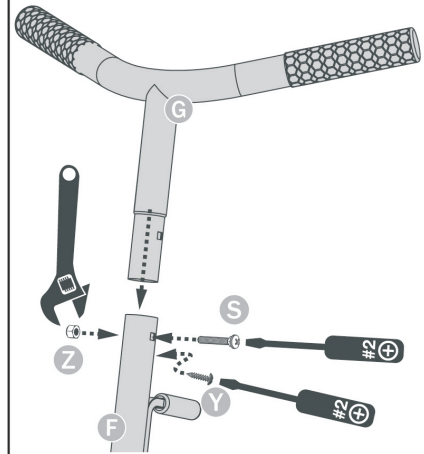
Tighten flower knob on the handle extension tube (F) to the wheel yoke (C).

**STEP 6**

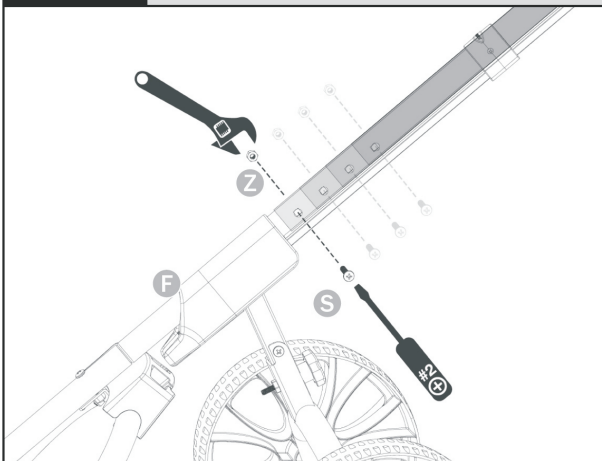
Attach handle extension tube (F) and blade tube bracket (E) to blade rotator (B) using: Carriage screw (S), Nylock Nut (Z) and Self-tapping screw (Y)

**STEP 7**

Attach T-handle (G) to blade extension tube (F) using: Carriage Screw (S), Nylock nut (Z) and self-tap screw (Y)

**STEP 8**

Set (& adjust) handle height by installing Carriage Screw (S) and Nylock Nut (Z) at desired position on blade extension tube (F).

**STEP 9**

Adjust blade angle by pulling adjustment bar and selecting right, left or centered option by turning blade assembly.

