

KINDER-SITZGRUPPE MIT SPIELTISCH

(DE) (AT) (CH)

KINDER-SITZGRUPPE MIT SPIELTISCH

Gebrauchsanleitung

(FR) (BE)

TABLE DE PIQUE-NIQUE ET DE JEUX ENFANT

Mode d'emploi

(PL)

ZESTAW DZIECIĘCY DO SIEDZENIA ZE STOLEM DO ZABAWY

Instrukcja obsługi

(SK)

DĚTSKÁ SÚPRAVA ZÁHRADNÉHO NÁBYTKU SO STOLOM NA HRANIE

Návod

(GB) (IE)

KIDS' PLAY & PICNIC TABLE

User manual

(NL) (BE)

KINDERZITGROEP MET SPEELTAFEL

Gebruikershandleiding

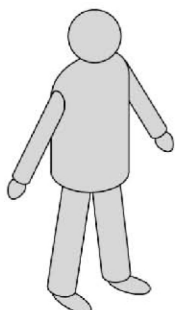
(CZ)

DĚTSKÁ SADA ZAHRADNÍHO NÁBYTKU SE STOLEM NA HRANÍ

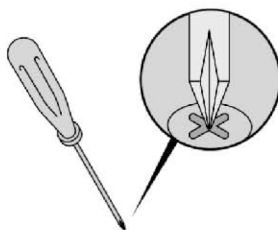
Návod

IAN 332845_1907

Sie benötigen:
 You will need:
 Auxiliaires nécessaires:
 U hebt nodig:
 Potrzebne materiały:
 Potřebujete:
 Potrebujete:



1 Pers.



Teile:

Parts:

Pièces:

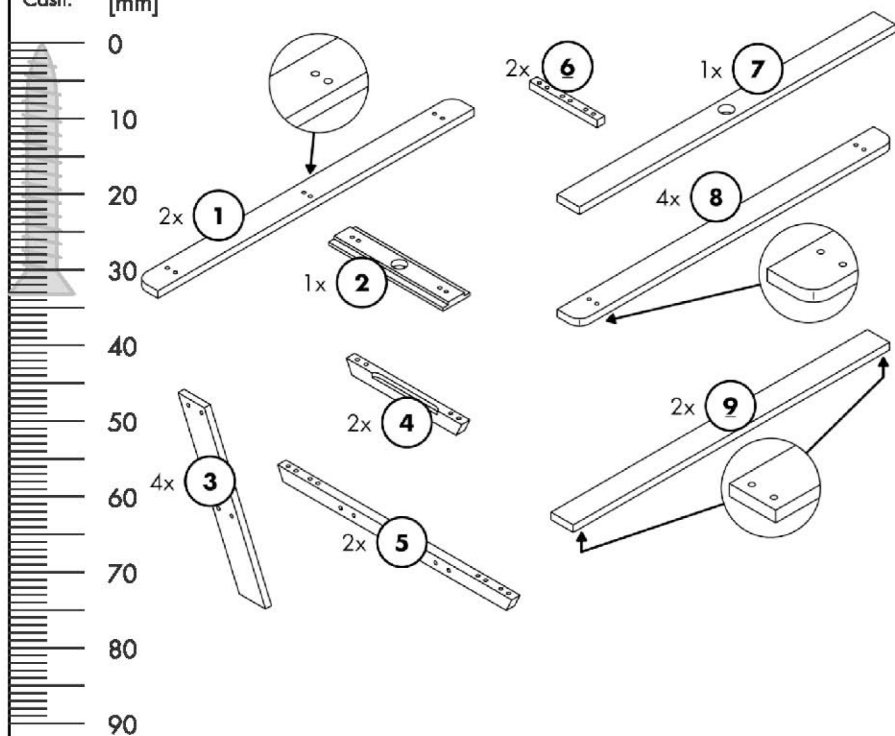
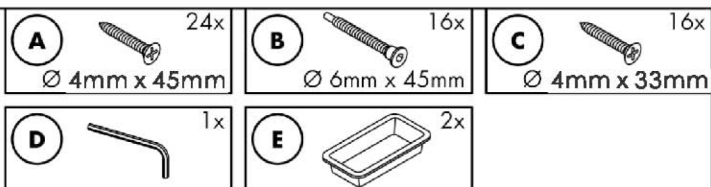
Onderdelen:

Części:

Díly:

Části:

[mm]



IMPORTANT FOR FUTURE REFERENCE KEEP: READ CAREFULLY

User manual

With this solid wood article you have acquired a high-quality product. Before assembling, we recommend carefully reading the assembly instructions to ensure a smooth assembly.

Intended Use

The children's seating group with play table, hereinafter referred to as "play table", is suitable for children from 2 to about 7 years. Max. permissible load for the table-top is 25 kg, the sand or the water tank 10 kg / 5 L and bench 80 kg and must not be exceeded.

The gaming table is intended only for private domestic use and therefore unsuitable for commercial purposes.

Children are only allowed to play with the table under adult supervision.

Use the game table only as described in this manual. Any other use is not considered to be in accordance with the intended purpose and can lead to material damage or even personal injury.

The manufacturer or distributor assumes no liability for damage caused by improper or wrong use.

Before starting the assembly, please check the completeness of all supplied parts. The item is not to be used if screws or parts are missing or damaged.

During construction, make sure that all parts are first loosely connected to each other and only tightened at the end. For assembly please use the included Allen key and a screwdriver.

Safety instructions

WARNING!

Ingestion and choking hazard!

If children play with the packaging or with small parts, they can swallow them and suffocate them!

- Do not let children play with the packaging film.
- Keep children away when you remove the play table from the packaging and assemble it.
- Let the game table unpacked and mounted by an adult.
- You should immediately remove the entire original packaging.

WARNING!

Seating for children under a window can serve as a step for the child and cause the child to fall out of the window.

WARNING!

Care must be taken that the product is not placed near open fire or other strong heat sources.

WARNING!

The piece of furniture in the vicinity of another product that could present an external Choking or Strangulation, e.g. strings, blind, curtain cords or the like.

WARNING!

Risk of crushing!

If the table top is lying loose, there is a risk of injury due to bruising.

- - If you do not use the plastic boxes, the table top should be screwed to the frame for safety reasons.

LOOK OUT! - Risk of injury and damage to property!

- Check the gaming table for sharp edges and splinters before first use and remove them.
- Set up the game table, only with a safety distance of at least 2 m to other structures or obstacles such as house, Garage, fence, swing, slide, clothesline, overhanging branches or electrical cables.
- Place the gaming table indoors and outdoors only on flat, soft surfaces, such as lawns or rubber mats.
- The gaming table must not be built over concrete, Asphalt or other hard surfaces. An open space for the construction of the gaming table of at least 200 x 200 cm is recommended.

- Do not build any further extensions to the gaming table.
- Do not allow children to stand on the benches or table top, climb or do gymnastics.
- Make sure that all screw connections are firmly tightened. Check them regularly. Screws when tightening do not overtighten!
- In case of damage or loose connections, the gaming table may no longer be used.
- The gaming table may only be used fully assembled.
- Never let your child play with the table unattended.
- Use the gaming table only for the intended purpose and do not overload it.
- The gaming table must not be misused. Do not make any Changes.
- Make sure that your child always only plays on a level, not sloping floor with the game table.

ATTENTION!

- Assembly may only be carried out by adults.
- Do not let children play at the gaming table until it is fully constructed.
- Explain to the children how to use the table correctly and never leave them unattended while playing.

Note

The design of the product complies with DIN EN 17191:2019-07.

Maintenance instructions

In use, screws should be tightened from time to time, so that everything is stuck and nothing wobbles. From time to time, check the wooden parts of the children's seating set for worn or broken places to smooth them again with sandpaper.

The children's seating set is made of solid wood. In a natural product made of wood, irregularities in color and structure are characteristic and do not constitute a defect.

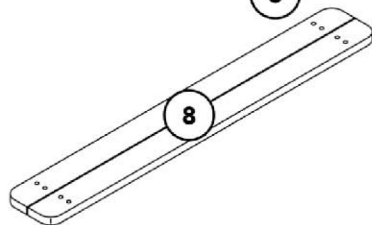
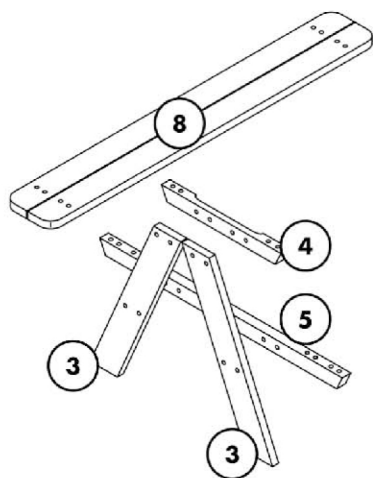
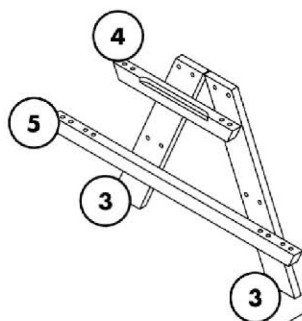
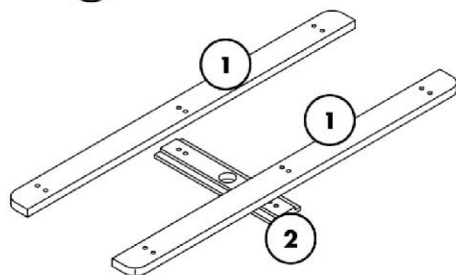
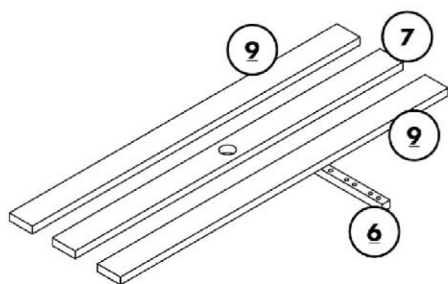
Due to longer heat periods, dry cracks can also occur, which largely recur at lower temperatures. The wood of the gaming table is treated with an environmentally friendly saliva- and sweat-proof glaze on water basis and thus only conditionally weatherproof. To avoid weathering and foxing, it is therefore recommended to treat the wood with a specific wood glaze, which should be repeated annually. For Winter storage, we recommend a dry place with air circulation.

Disposal

Please hand in packaging and discarded products at regional recycling centres.

Note

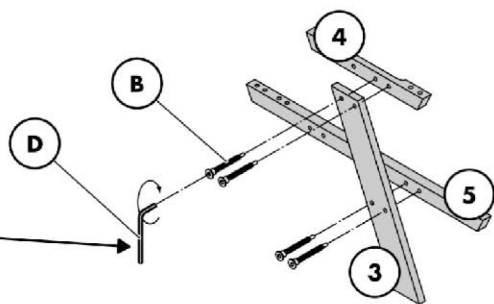
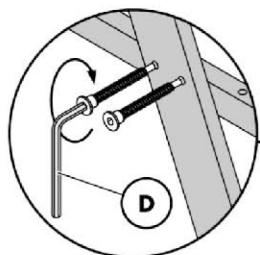
This product is subject to strict quality assurance. Should a defect nevertheless occur with the proper use of this article, we ask you to contact our customer service. For the processing of a guarantee it is absolutely necessary to keep the proof of purchase.



A **2x**

B 8x
Ø 6mm x 45mm

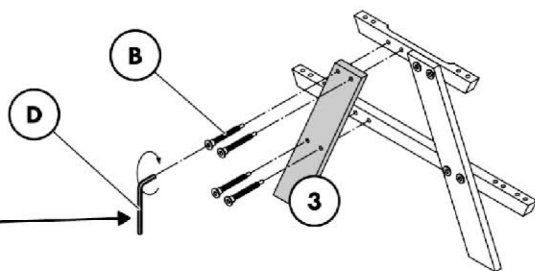
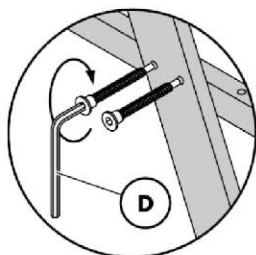
D 1x



B **2x**

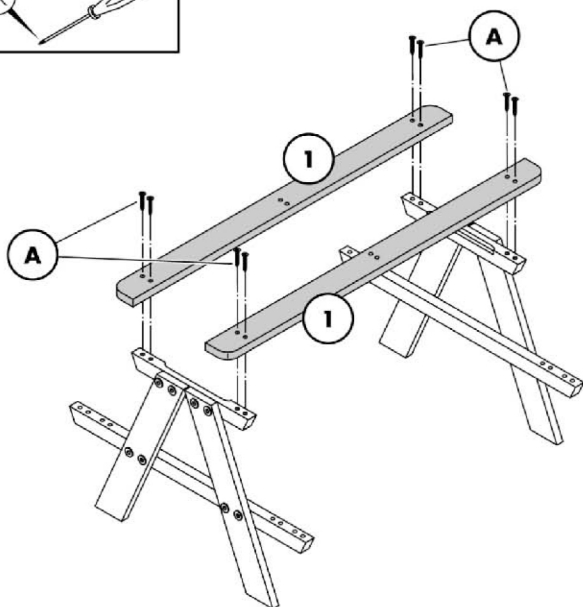
B 8x
Ø 6mm x 45mm


D 1x

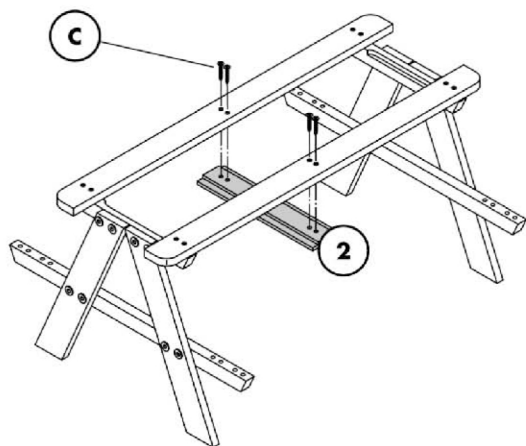


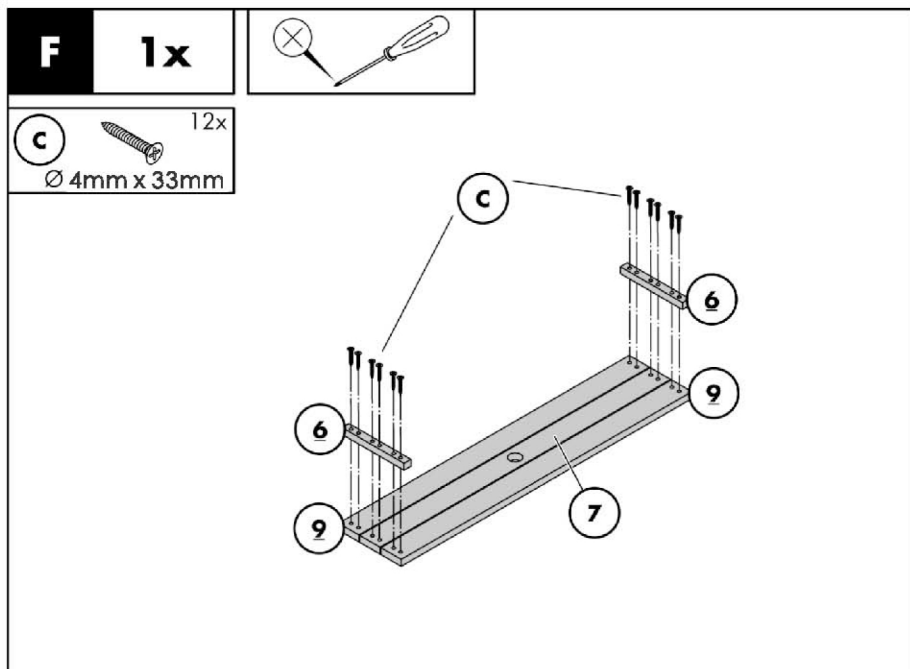
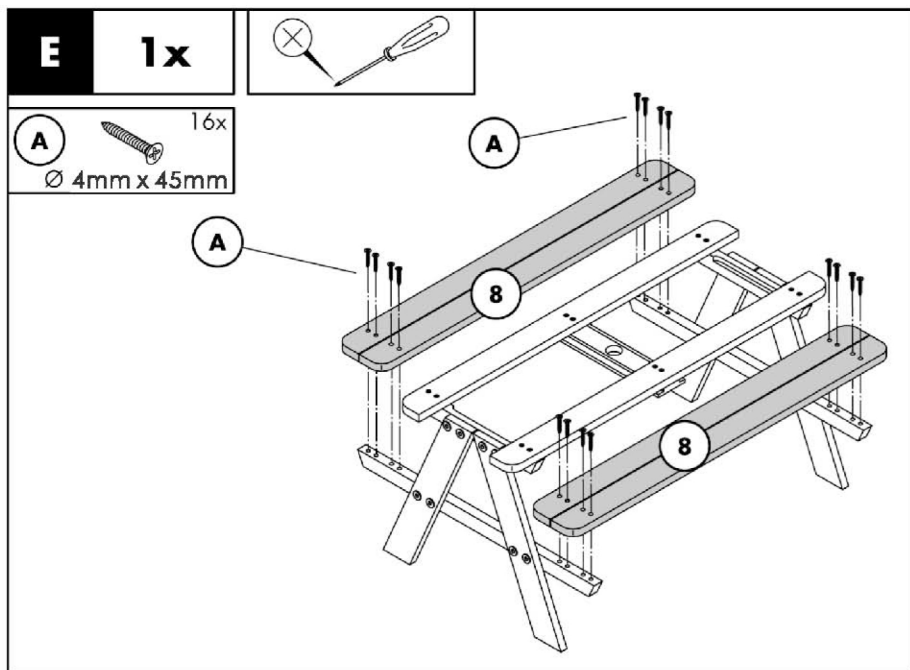
C**1x**

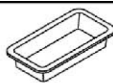
A  8x
Ø 4mm x 45mm

**D****1x**

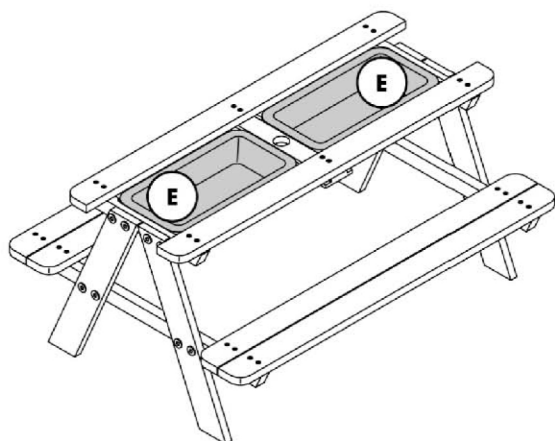
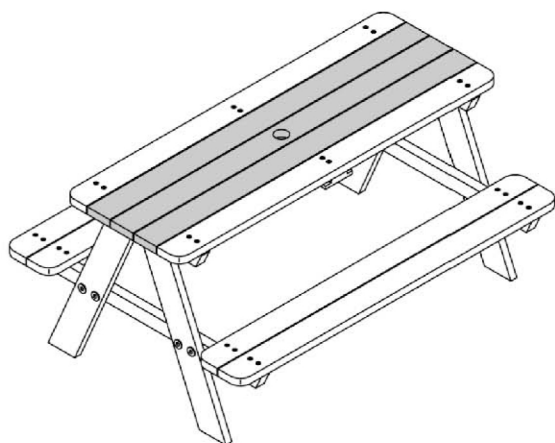
C  4x
Ø 4mm x 33mm



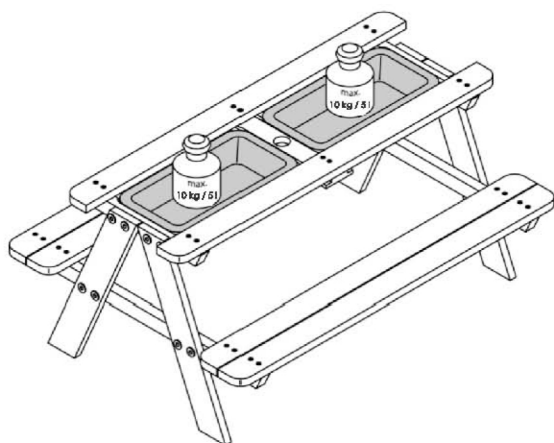


G**1x****E**

2x

**H****1x**

i



i

