

# INSTRUCTIONS



Please read the assembly and pump operating instructions carefully and observe the safety instructions.

**STEP 1 :** Position the water feature onto a secure and level surface.

**STEP 2 :** Locate the internal water pipe and LED cable.

For a larger model, this can be found inside the access panel / water reservoir at the rear side of the water feature. Or For a smaller unit, this can be found at the bottom of the feature. The reservoir of this smaller unit is a separate tray.

**STEP 3 :** Attach the internal water pipe to the pump securely and connect the internal LED wire to the adaptor plug/ transformer provided.

**STEP 4 :** Position the pump and the light cable inside the access cavity / water reservoir,

**STEP 5:** Carefully fill the feature with sufficient water taking care to ensure the pump is fully submerged.

**STEP 6 :** Connect the pump and adaptor plug/ transformer to a mains power outlet.

**The adaptor plug/ transformer should never be submerged or stood in water. Please note it is normal for the transformer to get warm while in use. If the transformer is getting too hot to touch then there may be a fault, please turn the unit off immediately.**

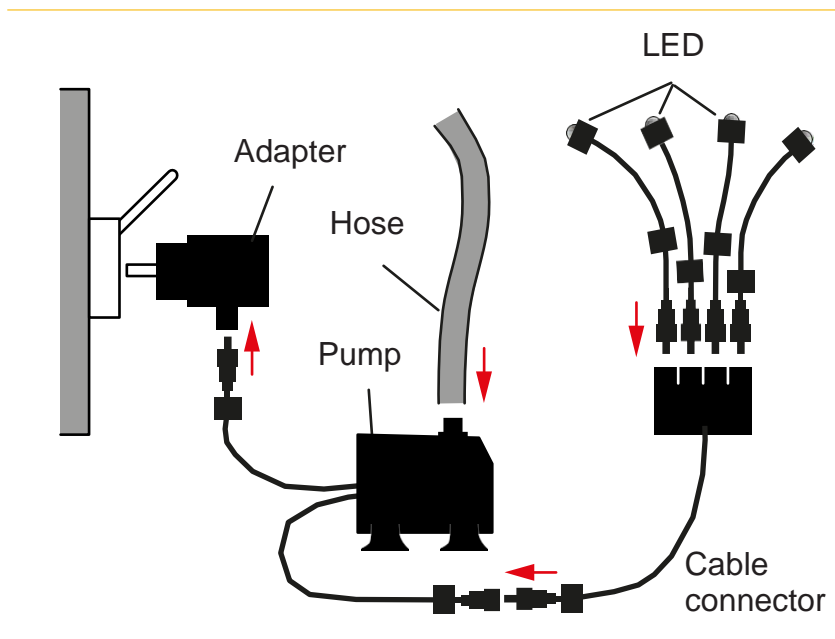
**PUMP FLOW:** The pump flow can be adjusted with the regulator. The regulator is found on the back of the pump. We recommend starting with the flow regulator fully open and then adjusting down if required.

## ELECTRICAL SAFETY:

This product is suitable for indoor or outdoor use only.

Do not leave it running if unattended.

Keep this product out of the reach of children and pets



## Water

This product is recommended to use with clean water or distilled water. Please avoid using hardwater. Mineral build up from hard water or water from other sources can damage the pump.

- Clean and top-up the water on a regular basis.
- Always shut off the power before cleaning and maintaining the fountain or pump

## Troubleshooting

### Pumps

- When running this feature for the first time, there may be air trapped inside the pump or tube which stops it from running. If this occurs, pull the electrical plug in and out several times.
- Check the water is covering the pump. Never let the pump running when the water level is low.
- Check the flow regulator on the pump to ensure the correct “flow” is set.
- Check to see if it is running if it is not then check for any blockage.
- If debris is caught in the intake vents of the pump, disconnect the pump from the power source and rise the pump under clean running water
- Check the fuse in the plug.

### Lights/Transformer

- If the lights and the pump are not working it is likely the transformer has failed. If the product is within the warranty period and misuse has not occurred a replacement part can be issued providing a proof of purchase is supplied.
- Flickering lights are caused by a build-up of algae and lime scale on the connectors between the transformer and the lights. This is not covered by the warranty. Please ensure that you keep the fountain well maintained.
- Light bulbs are not covered under the warranty.

### Leaks/Loss of Water

- Overfilled - make sure the water reservoir is not overfilled. Remove water if necessary.
- Pump Flow Rate - check the pump and reduce the flow rate if required.
- Please ensure the fountain is on a level surface to avoid water spillage.
- Top up your fountain as required if drying fast due to evaporation.

