

# Assembly Instructions

**PLAYBERG**

SKU: QI003377

By:  Quickway Imports inc.

www.quickwayimports.com  
info@quickwayimports.com



## Warning! Only for domestic use.

Maximum weight of 35kg per seat. Maximum number of 2 children with a combined weight of 70kg.

- Read and follow all instructions. Failure to assemble and maintain this item as per this instruction may cause injury to the user.
  - Suitable for ages 3 – 10.
  - Not suitable for children under the age of 36 months because of small part(s) – choking hazard.
  - Adult assembly required.
  - Adult supervision is required at all times while the see saw is in use. Never leave children unattended during play.
  - Do not let children use the equipment until it has been fully assembled.
  - Not suitable for hiring or commercial use.
  - For outdoor use only.
  - Packaging materials are not toys. Please remove all packaging and packing tags / wires before giving this equipment to your child.
  - This product accommodates no more than 2 children.
  - Ensure that children wear suitable clothing whilst using this equipment.
- Never allow children to wear loose clothing, clothing with strings or loose jewellery.
- Never use the equipment in any manner other than intended.
  - The product should not be installed over concrete, asphalt or any other hard surface.
  - The toy should be placed on a level surface at least 2m from any structure or obstruction such as a fence, garage, house, over hanging branches, laundry lines or electrical wires.

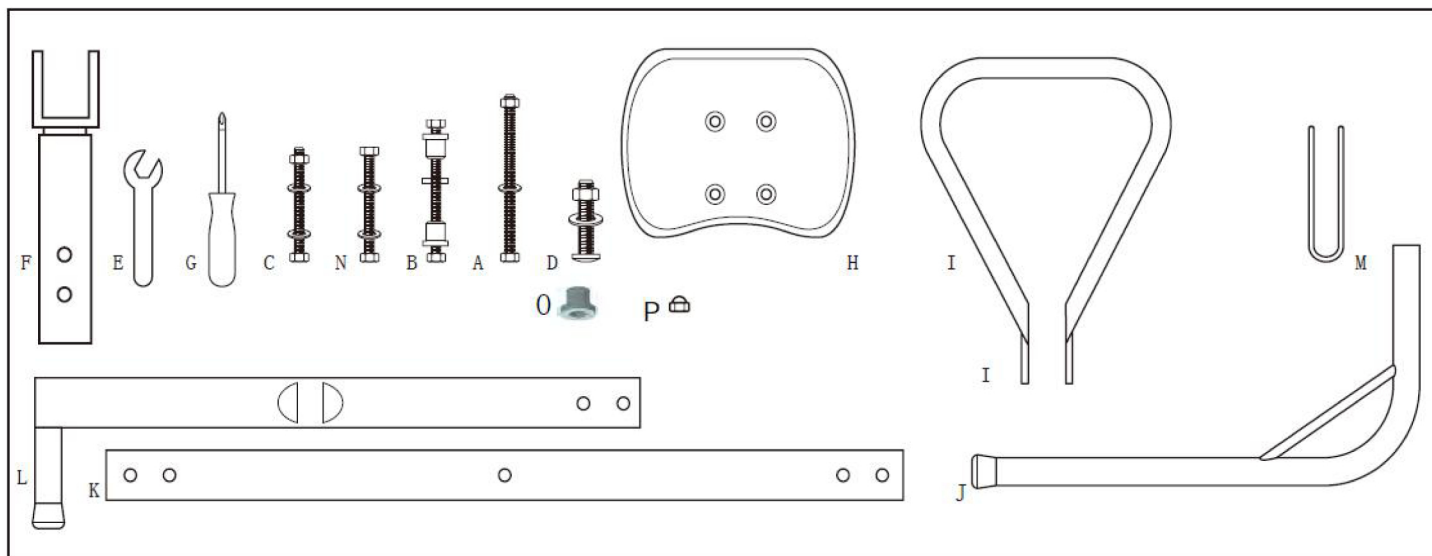
**Checks and maintenance of the main parts shall be carried out at regular intervals. If checks are not carried out the toy could overturn or otherwise become a hazard.**

## Warning! Not for Children under 36 months due to small parts. Choking hazard.

**For outdoor use only. To be played in an open area with adult supervision.**

- Never allow children to disembark from the play equipment whilst it is still in motion.
- Ensure that children are not facing the sun whilst using see saw.
- Do not attach items to the equipment that are not specifically designed for use with this product. Such as, but not limited to, cables, skipping ropes and chains as they may cause strangulation hazards.
- Never allow children to walk in front of, behind or in between the equipment whilst in use. Always keep children at a safe distance from the product whilst in use.
- Please take note: As an extra precaution, check this toy regularly for signs of wear or damage.
- Please retain these instructions for future reference.
- Please refer to assembly section for instructions on how anchors (Part No. M - 'U Shape Metal Hoop') are to be installed. These are to prevent overturning or lifting of the support members during use.
- The metal U shape hoops (part No. M) shall be placed under the ground securely in order to reduce tripping hazards.
- Check all nuts and bolts for tightness and tighten when required.
- Oil all metallic moving parts.
- Check all coverings for bolts and sharp edges and replace when required.
- Check the attachments of the see-saw for evidence of deterioration replace when required in accordance with the manufacturer's instructions.

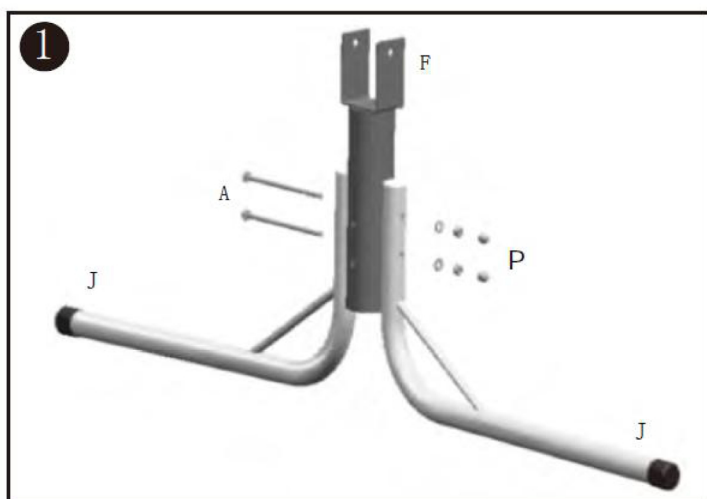
## Components:



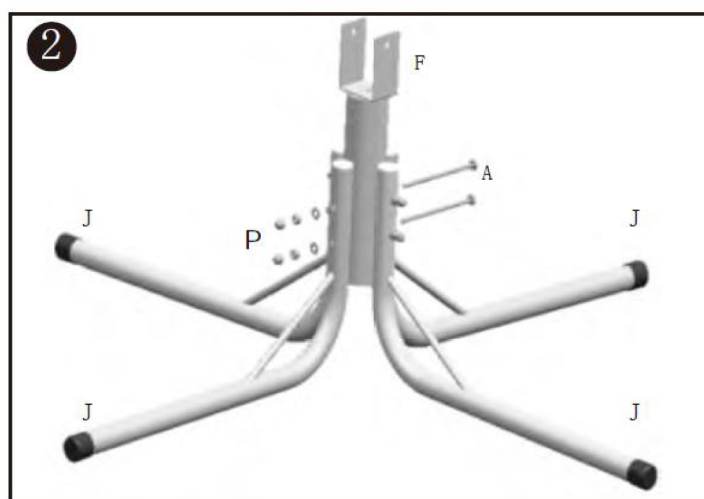
- A. 4 x (M6\*110mm) long bolts set .
- B. 1 x (M6\*80mm) bolts set (including 2pcs plastic washer) .
- C. 4 x (M6\*60mm) bolts set .
- D. 8 x (M6\*30mm) bolts set .
- E. 2 x spanners .
- F. 1 x centre pole with top .
- G. 1 x screwdriver .
- H. 2 x seats .

- I. 2 x handle .
- J. 4 x supporting legs .
- K. 1 x main weight pole .
- L. 2 x length seat pole .
- M. 4 x U shape metal pin .
- N. 4 x (M6\*55mm) bolts set.
- O. 4 x washers.
- P. 21 x plastic cap.

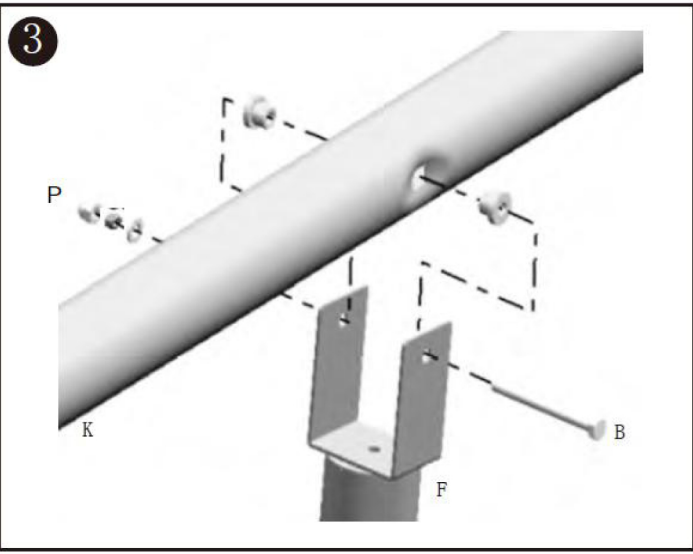
## Assembly:



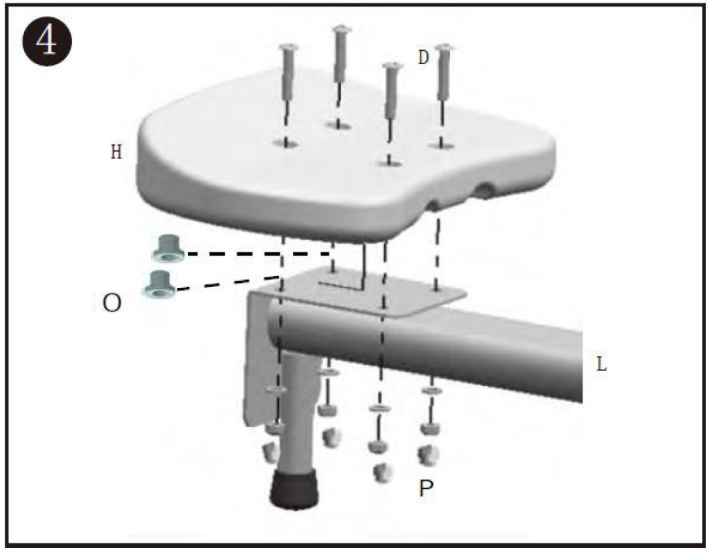
Take the 2 supporting legs (J) with the highest positioned holes. Use 2 long bolts (A) to assemble the centre pole (F) to the supporting legs (J) ensuring that the holes on (J) match the highest placed holes on (F). Ensure bolts and plastic caps (P) are firmly tightened.



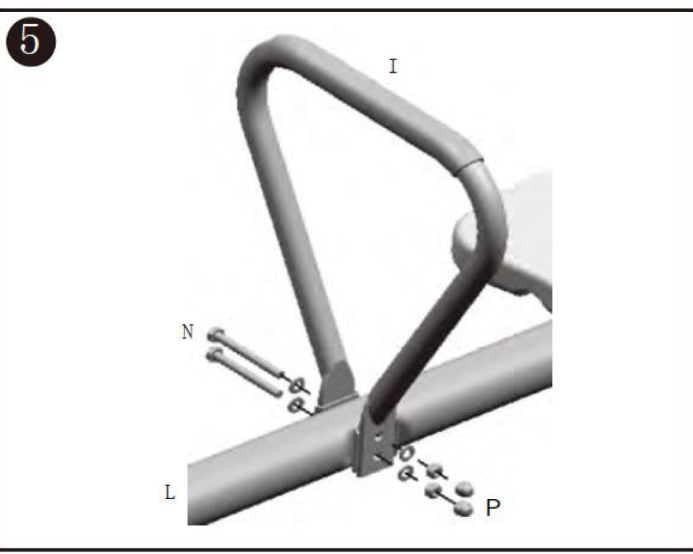
Assemble the remaining supporting legs (J) with the lower positioned holes onto the corresponding holes on (F) using the 2 remaining long bolts (A). Ensure bolts are firmly tightened. Ensure bolts and plastic caps (P) firmly tightened.



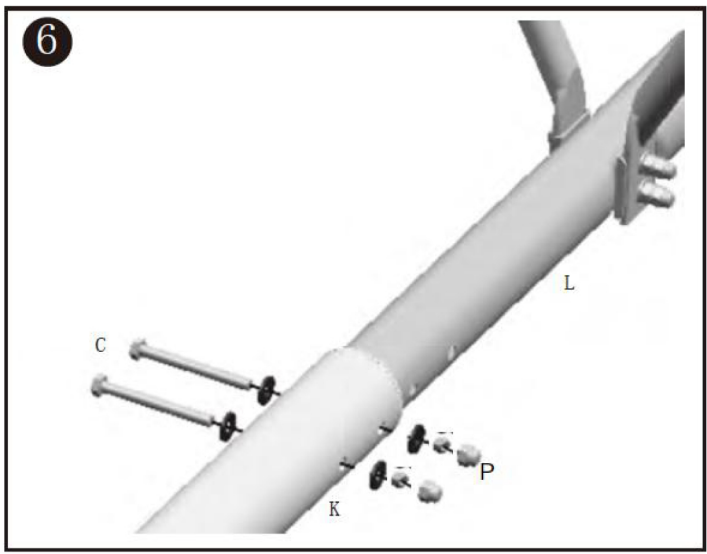
Insert the plastic washers from bolt (B) to the main weight pole (K). Assemble centre pole (F) to main weight pole (K) using bolt (B). Ensure bolts and plastic caps (P) are firmly tightened.



Assemble seat (H) to seat pole (L) using 4 bolts (D) and plastic washer (O) for back bolt. Ensure bolts and plastic caps (P) are firmly tightened.

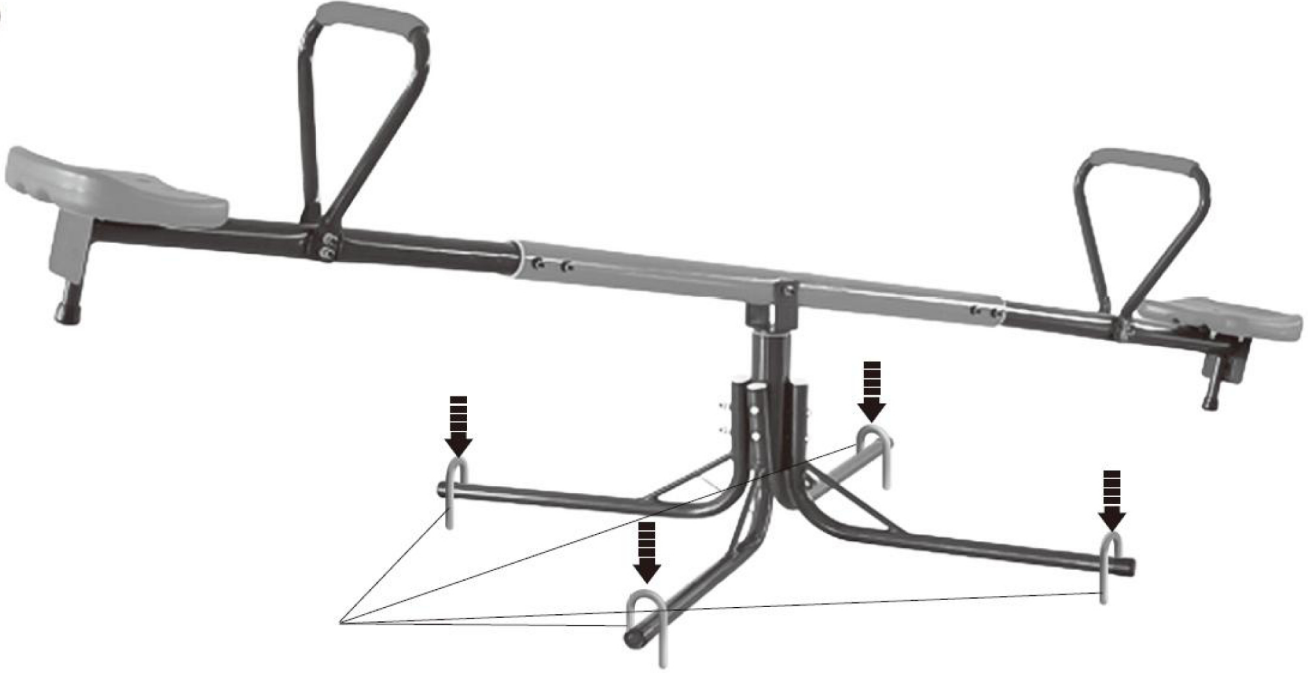


Assemble handles (I) to seat pole (L) using bolts (N). Repeat on opposite side. Ensure bolts and plastic caps (P) are firmly tightened.



Fix seat pole (L) to main weight pole (K), using bolts (C), repeat on opposite side of (K). Ensure bolts and plastic caps (P) are firmly tightened.

7



Part No. M - 'U Shape Metal Hoop'  
Secure the legs of the assembled product to the ground using the 4 'U' shaped metal pins (M).