

# Assembly Instruction

## Parts List:

The following tool (not included) is required for assembly:



| A   | B   | C  | D  | E  | F  | G   | H  | I  | J  | K  | L  | M  |    |
|-----|-----|----|----|----|----|-----|----|----|----|----|----|----|----|
|     |     |    |    |    |    |     |    |    |    |    |    |    |    |
| X16 | X20 | X8 | X4 | X6 | X2 | X11 | X2 | X2 | X3 | X3 | X2 | X1 | X1 |

|    |    |    |    |    |    |    |    |    |    |
|----|----|----|----|----|----|----|----|----|----|
|    |    |    |    |    |    |    |    |    |    |
| X2 | X1 | X1 | X1 | X1 | X1 | X1 | X1 | X1 | X1 |

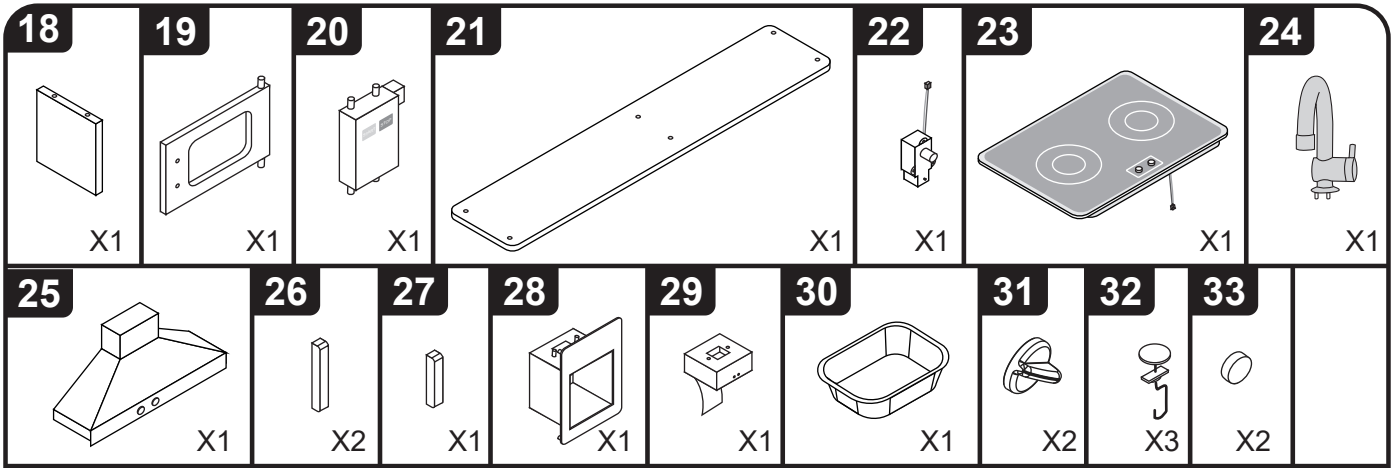
|                    |                    |                    |                    |
|--------------------|--------------------|--------------------|--------------------|
| <b>1</b><br><br>X1 | <b>2</b><br><br>X1 | <b>3</b><br><br>X1 | <b>4</b><br><br>X1 |
|--------------------|--------------------|--------------------|--------------------|

|                    |                    |                    |                    |
|--------------------|--------------------|--------------------|--------------------|
| <b>5</b><br><br>X1 | <b>6</b><br><br>X1 | <b>7</b><br><br>X1 | <b>8</b><br><br>X1 |
|--------------------|--------------------|--------------------|--------------------|

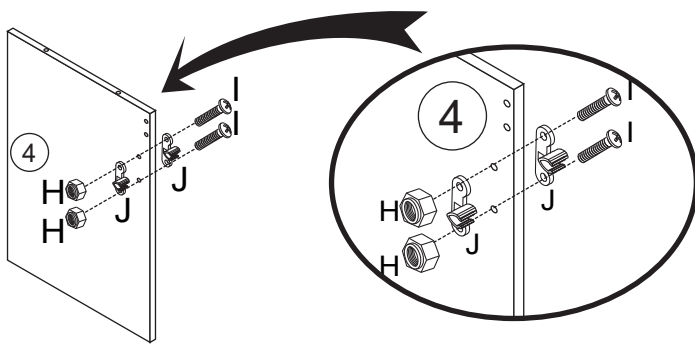
|                    |                     |                     |                     |
|--------------------|---------------------|---------------------|---------------------|
| <b>9</b><br><br>X1 | <b>10</b><br><br>X1 | <b>11</b><br><br>X1 | <b>12</b><br><br>X1 |
|--------------------|---------------------|---------------------|---------------------|

|                     |                     |                     |                     |                     |
|---------------------|---------------------|---------------------|---------------------|---------------------|
| <b>13</b><br><br>X1 | <b>14</b><br><br>X1 | <b>15</b><br><br>X1 | <b>16</b><br><br>X1 | <b>17</b><br><br>X1 |
|---------------------|---------------------|---------------------|---------------------|---------------------|

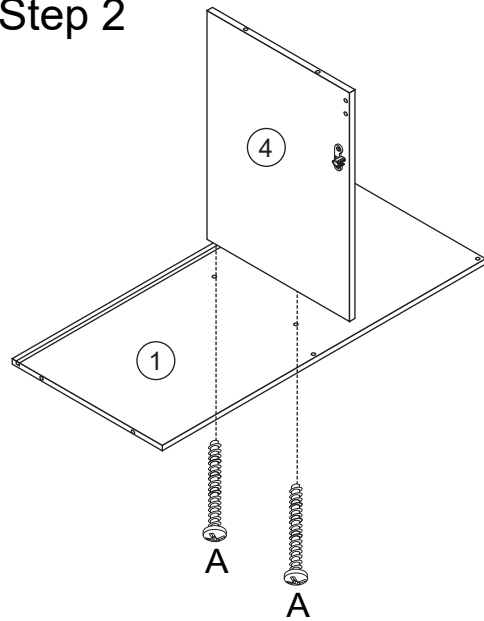
# Assembly Instruction



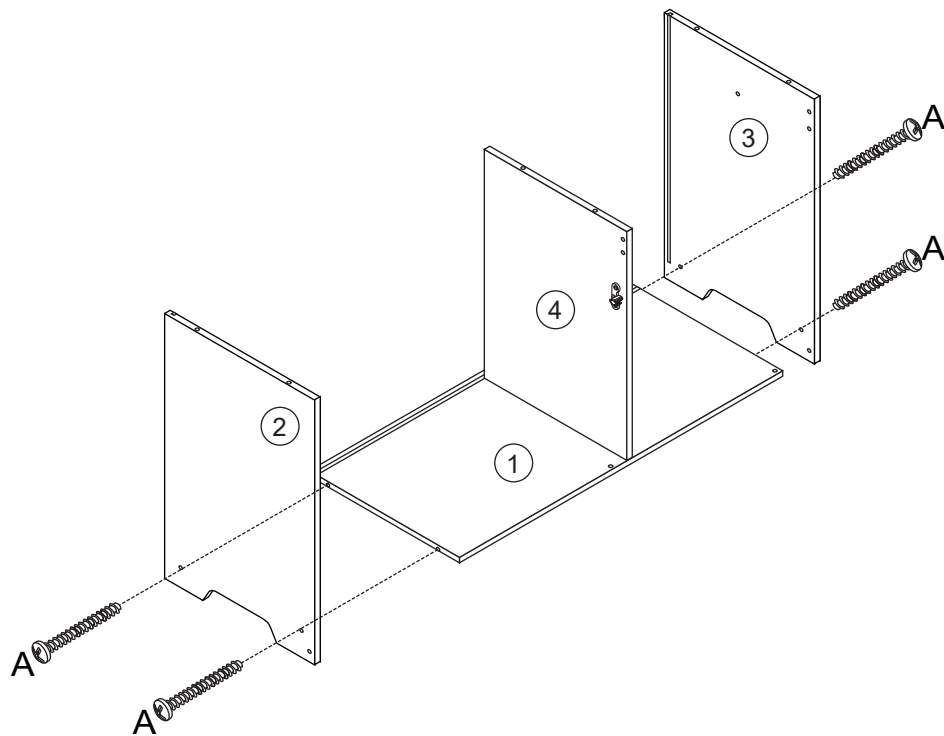
## Step 1



## Step 2

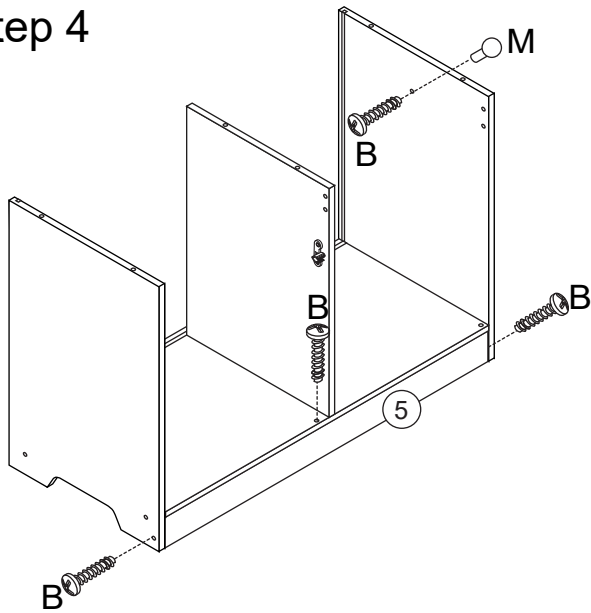


## Step 3

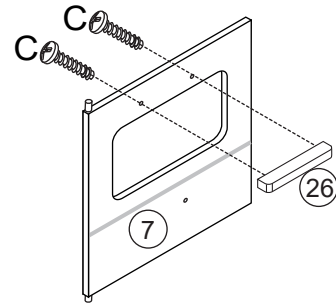


# Assembly Instruction

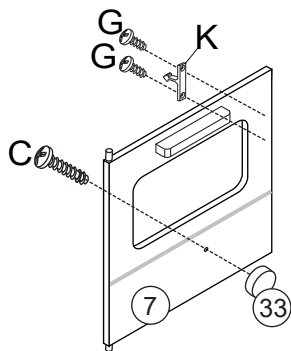
Step 4



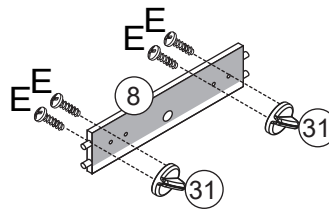
Step 5



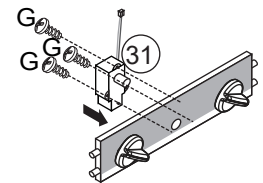
Step 6



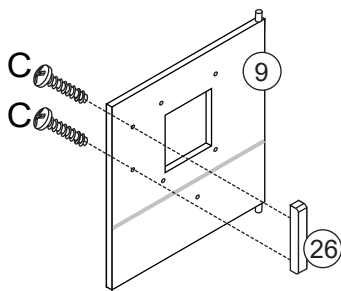
Step 7



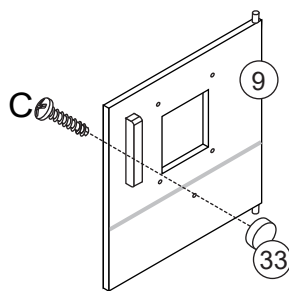
Step 8



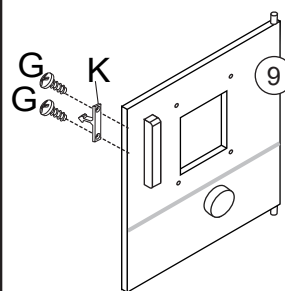
Step 9



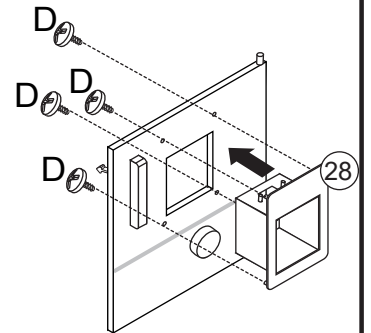
Step 10



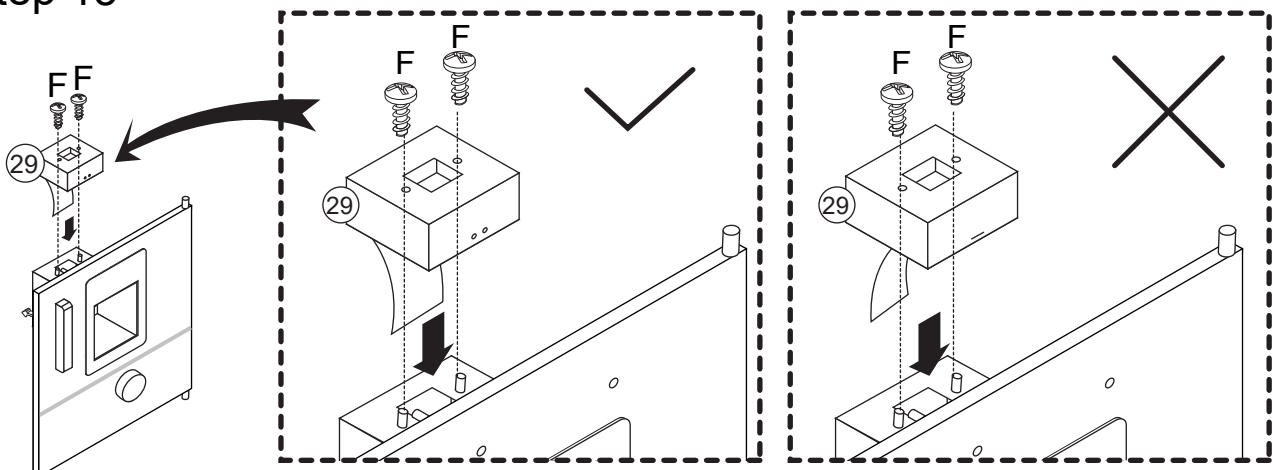
Step 11



Step 12

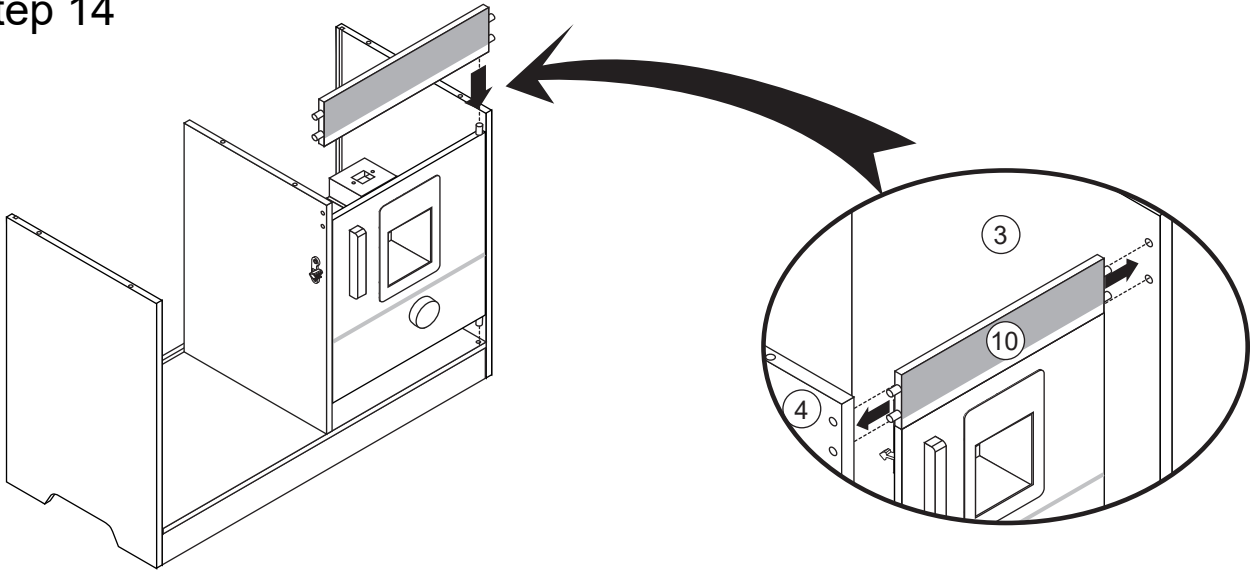


Step 13

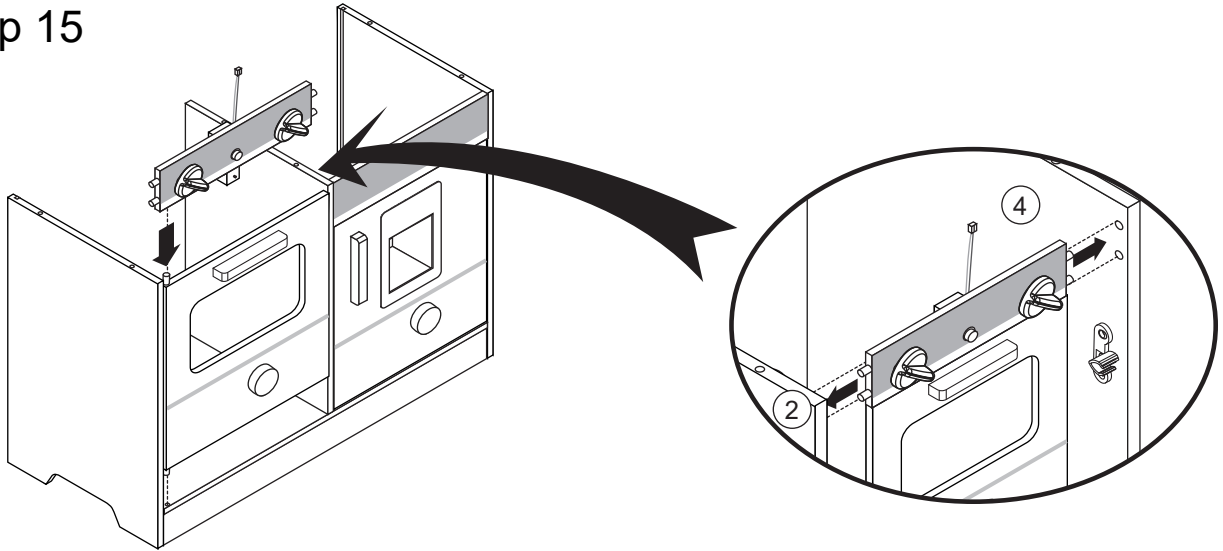


# Assembly Instruction

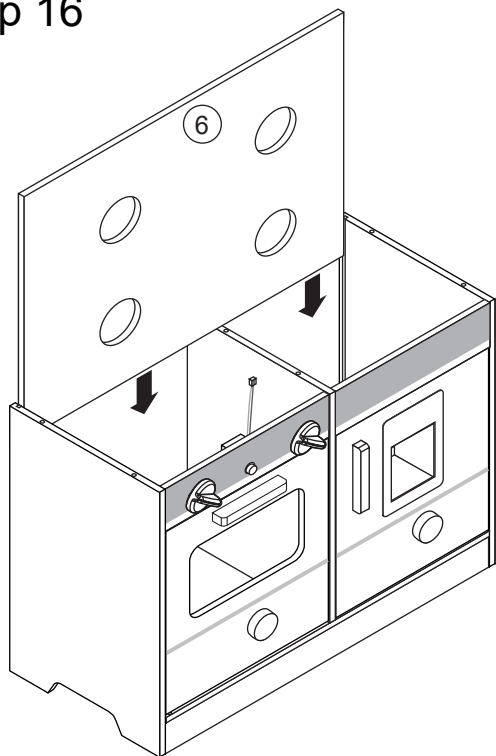
Step 14



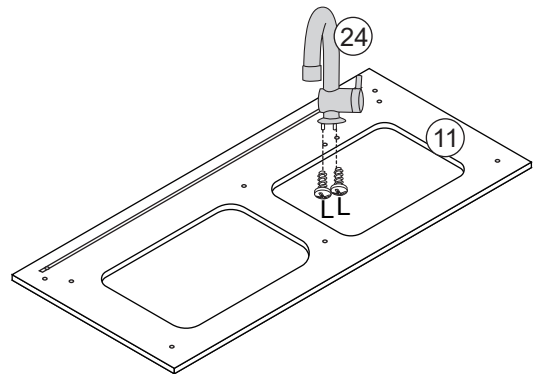
Step 15



Step 16

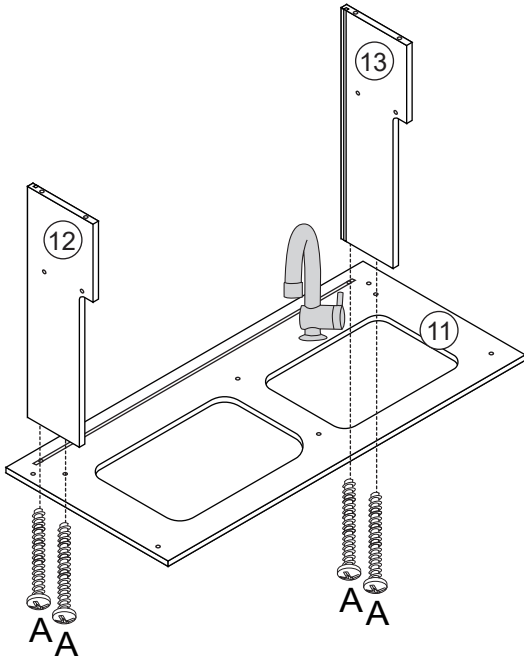


Step 17

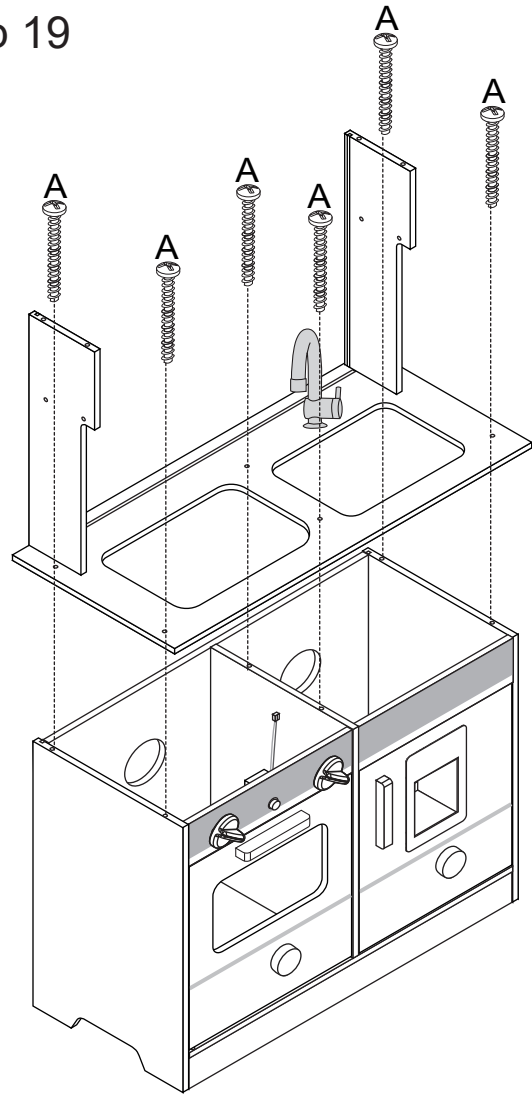


# Assembly Instruction

## Step 18

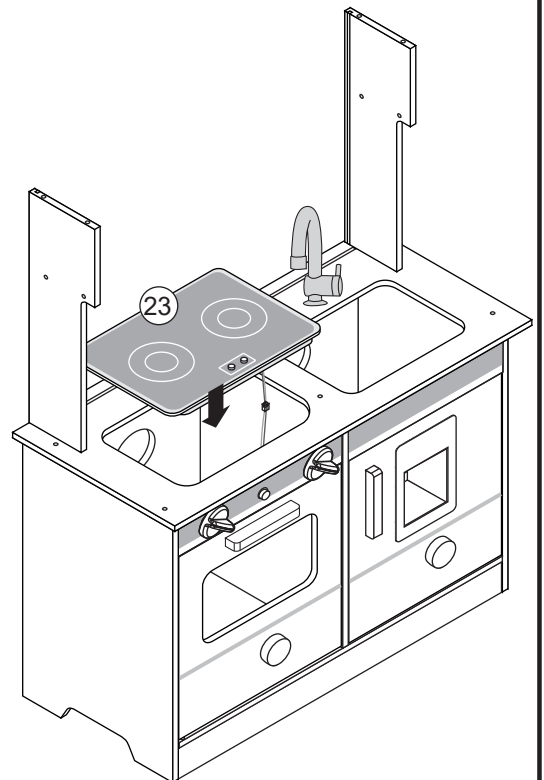
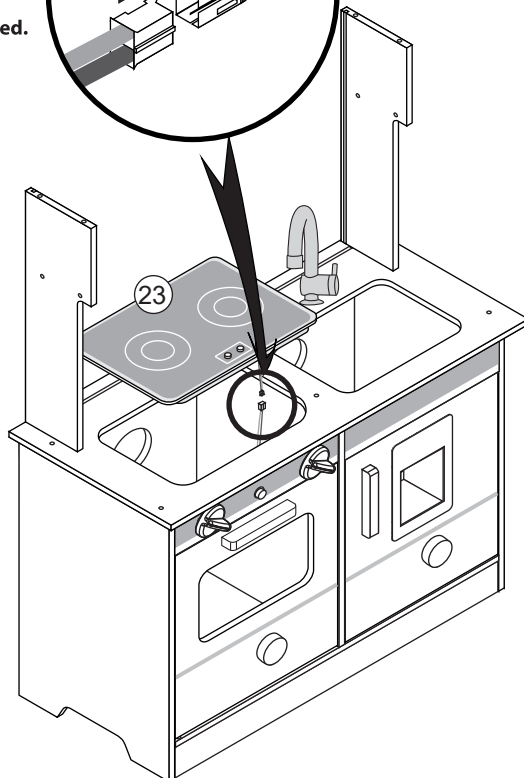
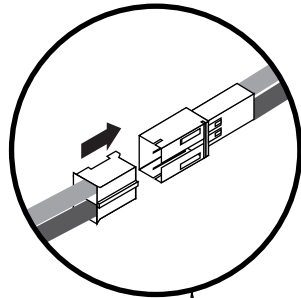


## Step 19



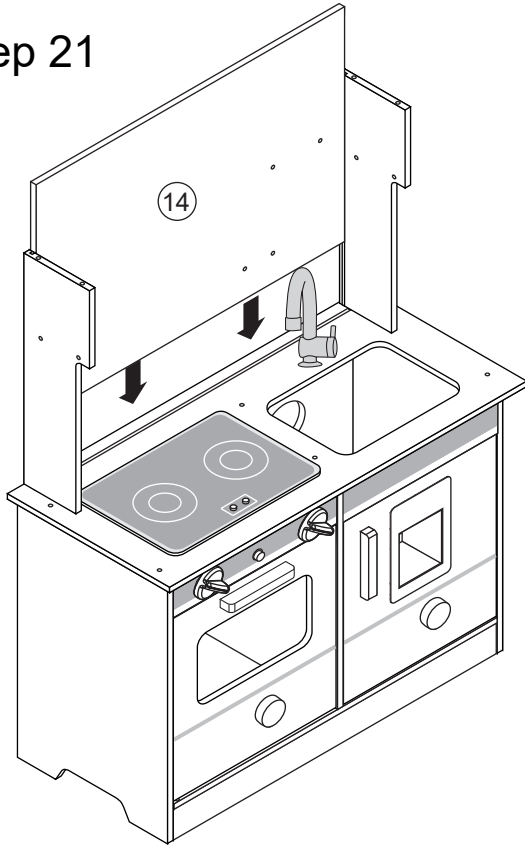
## Step 20

+ AA -  
Need 2 AA batteries, not included.

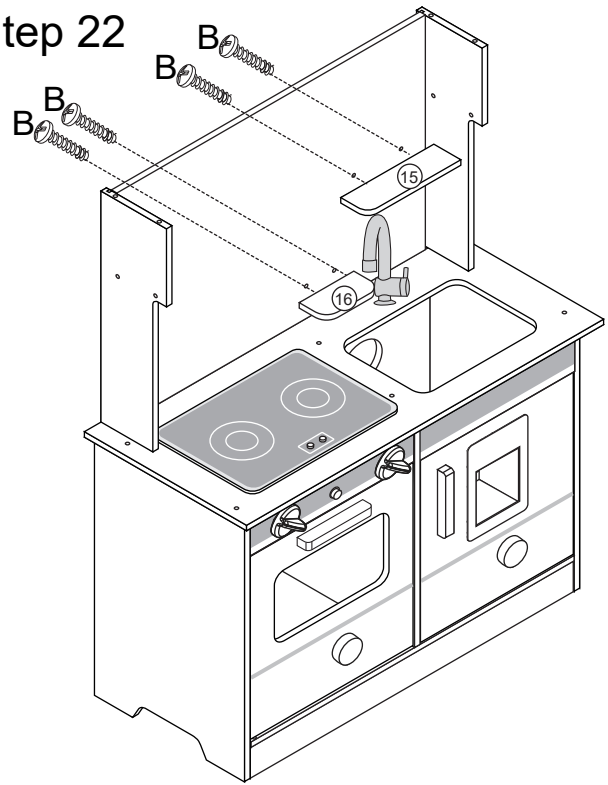


# Assembly Instruction

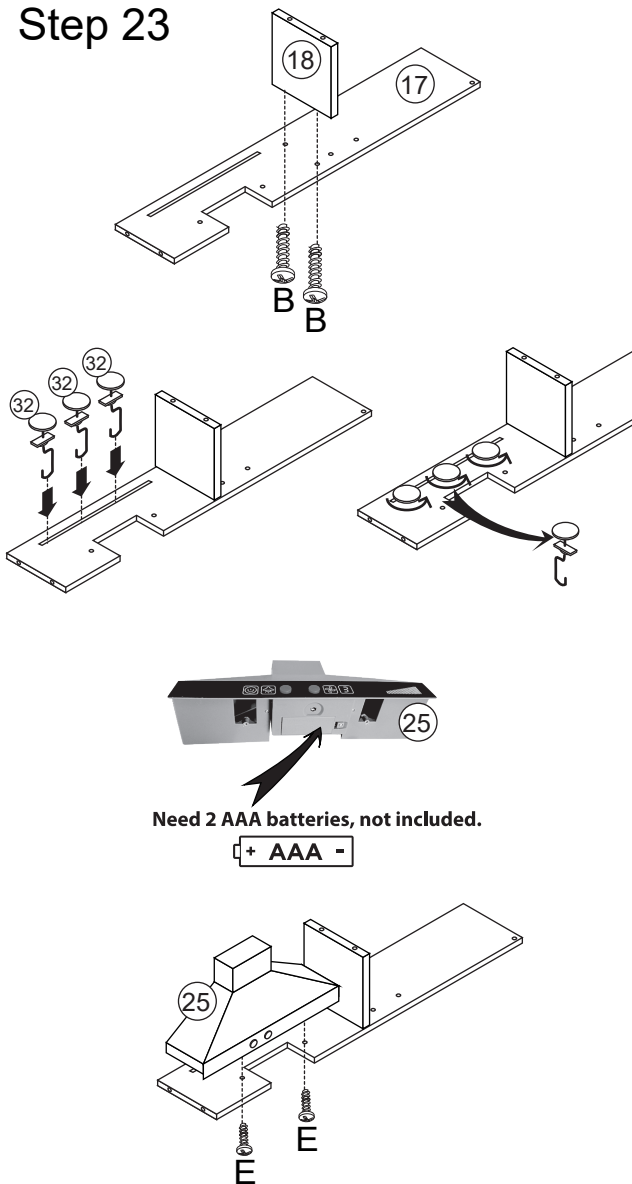
## Step 21



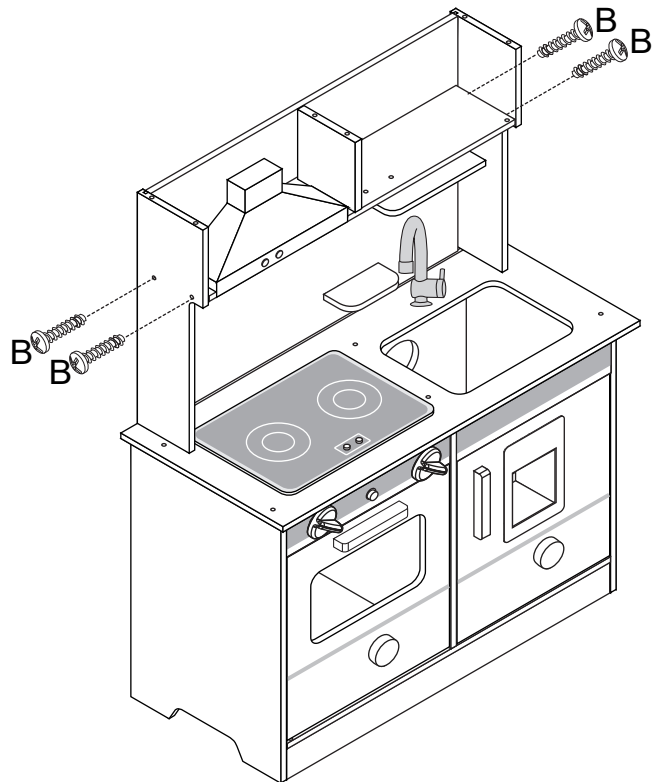
## Step 22



## Step 23

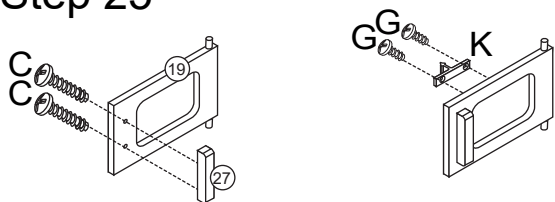


## Step 24

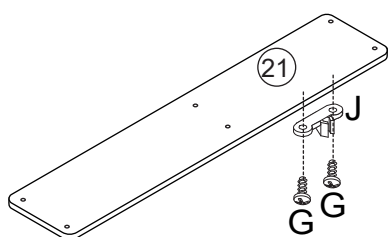


# Assembly Instruction

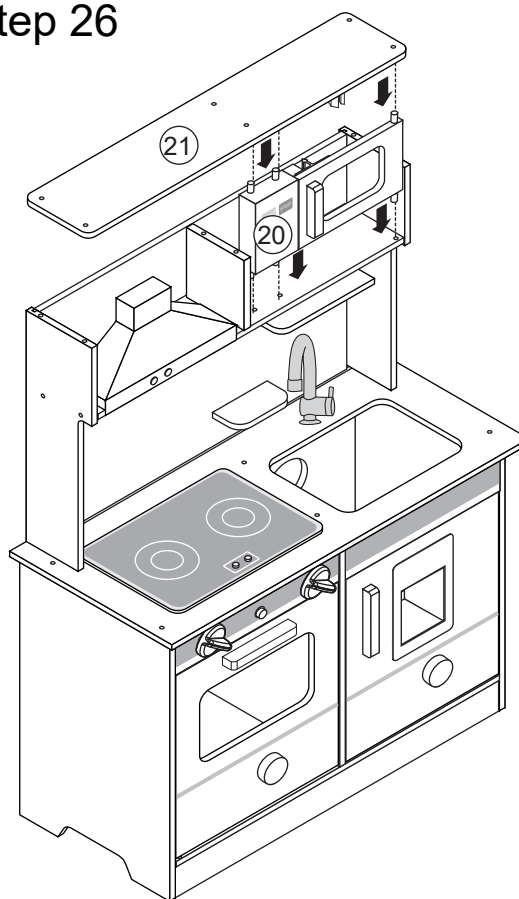
## Step 25



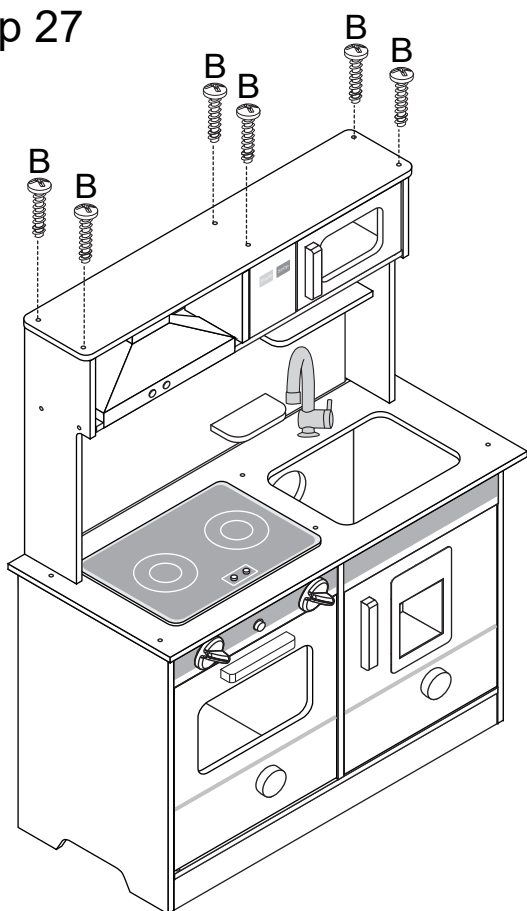
Need 2 AAA batteries, not included.



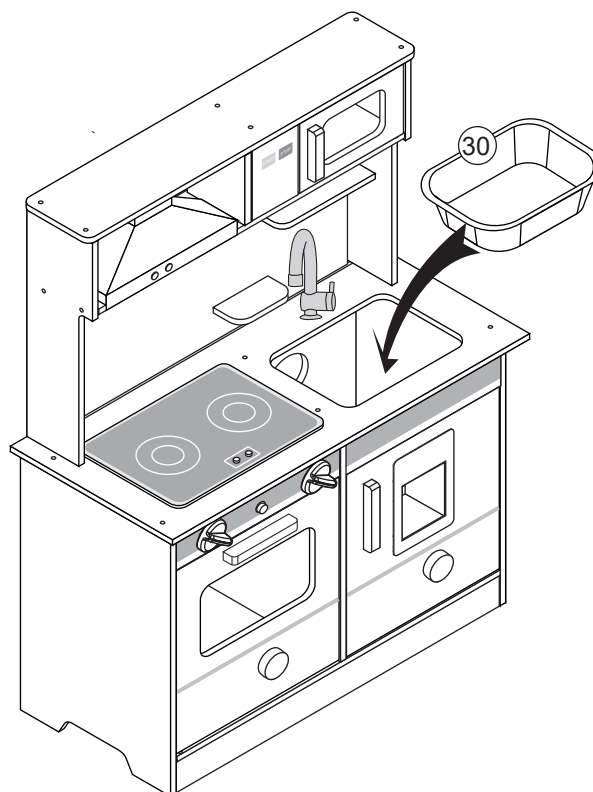
## Step 26



## Step 27



## Step 28



**Caution:** Adult assembly required.  
Hardware contains small screws with sharp points. Keep unassembled parts out of the reach of small children.

**Use and maintenance:**  
- Use on level surfaces only  
- Please check assembly at regular intervals, and frequently tighten hardware if necessary. If maintenance is not carried out, the product could cease to function properly.

**Warning:** Choking Hazard  
Unassembled parts may be a choking hazard to children 3 years and younger.

**Warning:** To avoid danger of suffocation, keep any bag or packaging away from babies and children. Any packaging or bag is not part of the toy and must be discarded immediately before assembly of the toy.