

Assembly Drawing

Tools

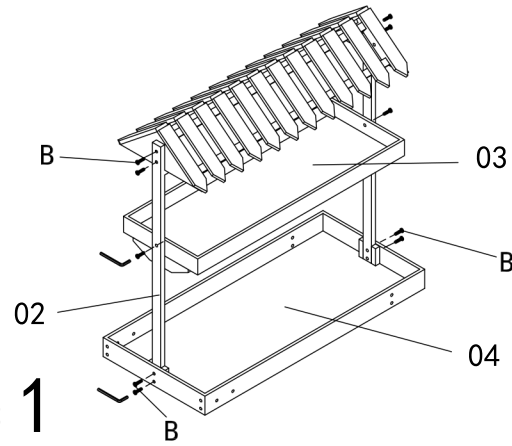
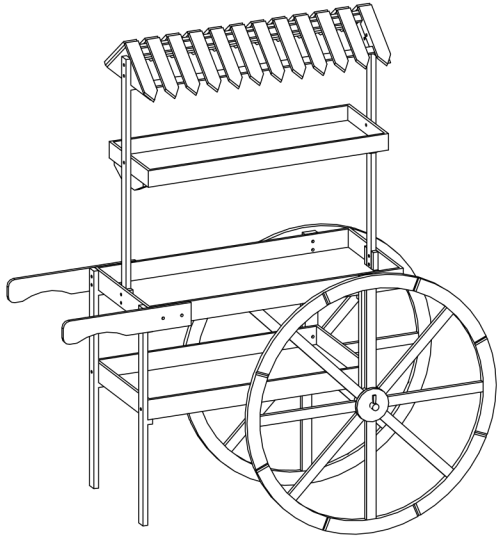
Connecting Parts



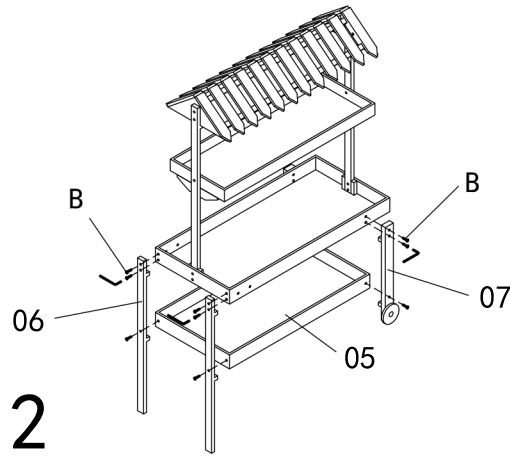
A 4pcs
6*20mm



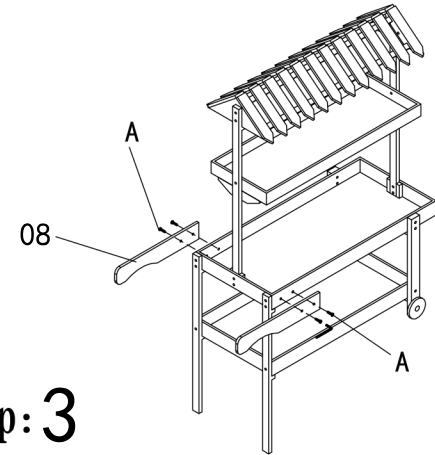
B 22pcs
6*30mm



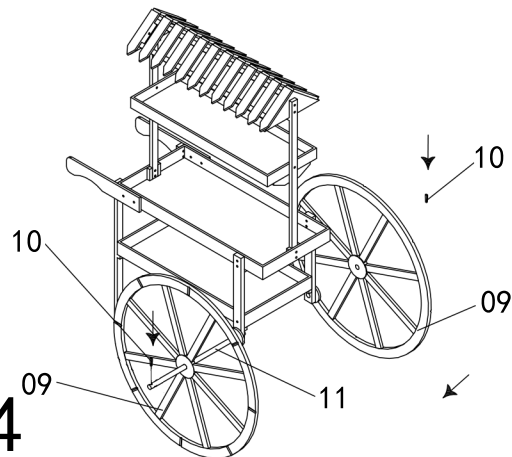
Step: 1



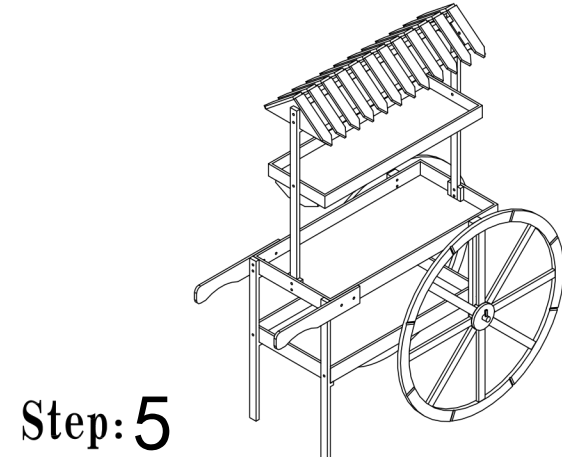
Step: 2



Step: 3



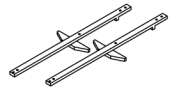
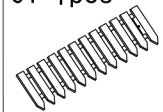
Step: 4



Step: 5

01 1pcs

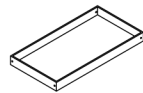
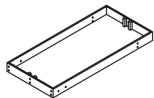
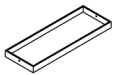
02 2pcs



03 1pcs

04 1pcs

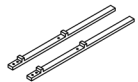
05 1pcs



06 2pcs

07 2pcs

08 2pcs



09 2pcs

10 2pcs

11 1pcs

